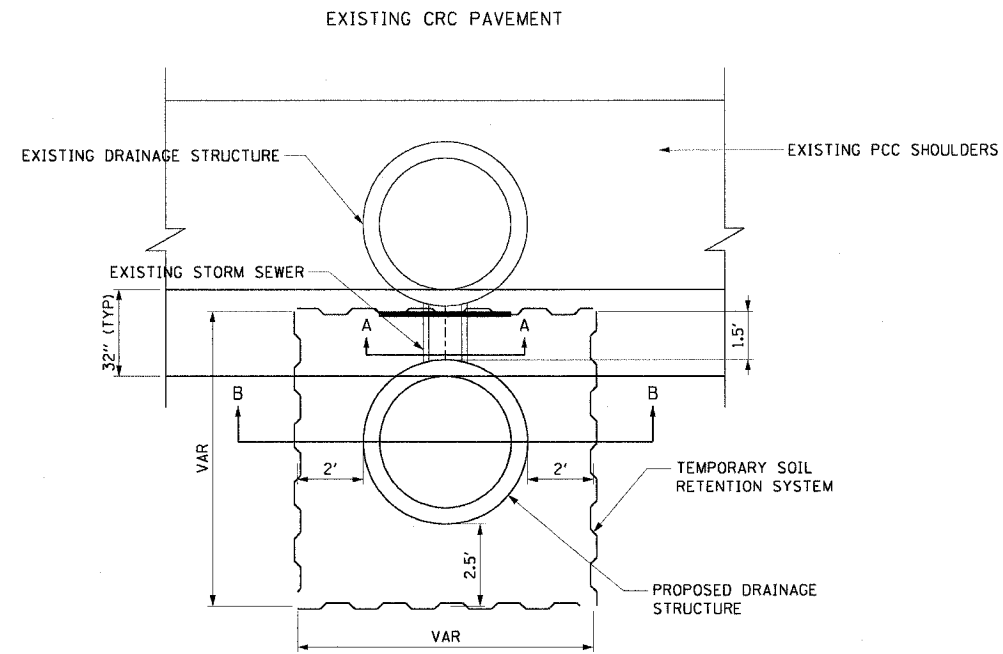


F.A.I. RTE.	SECTION	COUNTY	TOTAL SHEETS	SHEET NO.
90/94		COOK	247	174
STA.	TO STA.			
FED. ROAD DIST. NO. 1 ILLINOIS FED. AID PROJECT				
60A63 • (1919.15, 2021-922 PT1 & PT2) R-2				

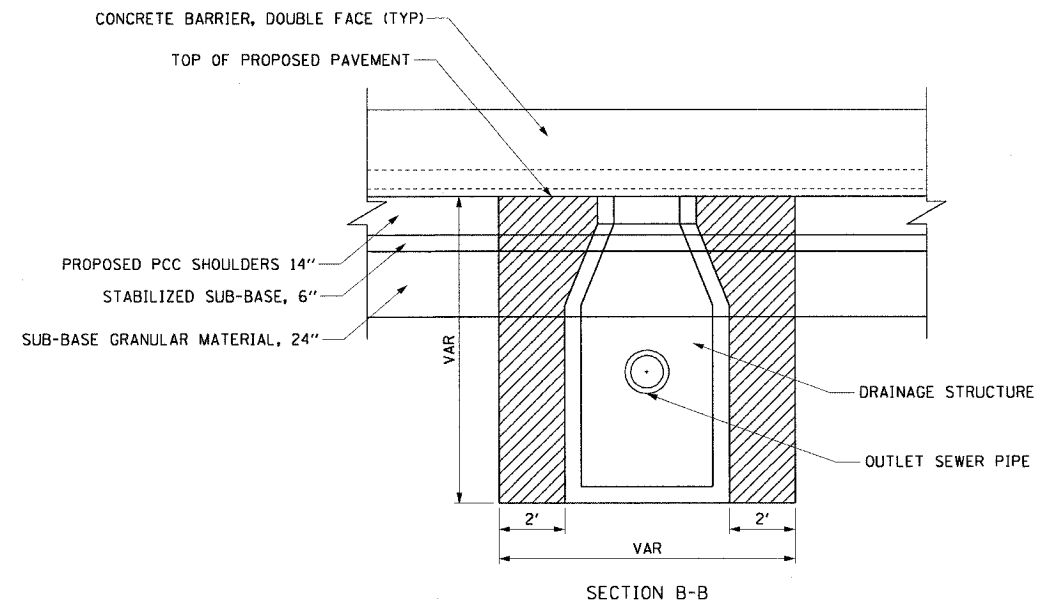
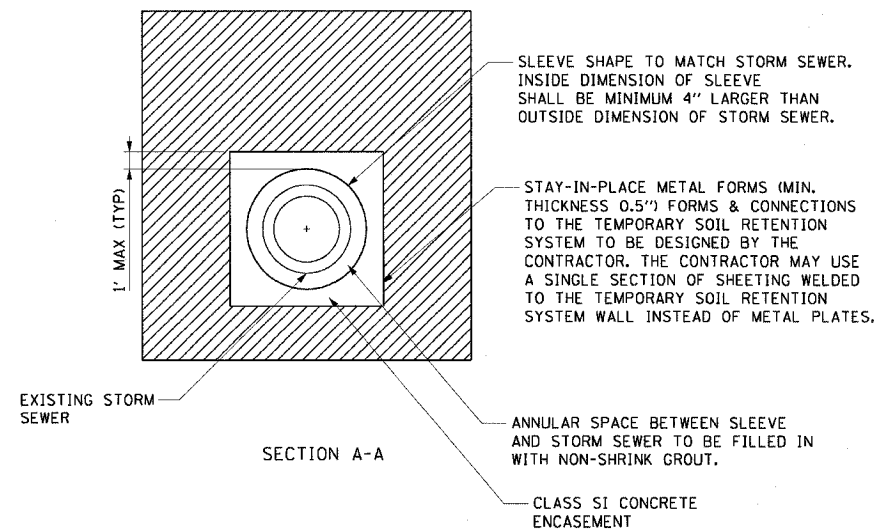


PLAN VIEW

- NOTES
- STORM SEWER PENETRATIONS THROUGH THE TEMPORARY SOIL RETENTION SYSTEM WILL NOT BE PAID FOR SEPARATELY, BUT WILL BE INCLUDED IN THE COST FOR THE TEMPORARY SOIL RETENTION SYSTEM.

LEGEND

TEMPORARY SOIL RETENTION SYSTEM



REVISIONS	
NAME	DATE

ILLINOIS DEPARTMENT OF TRANSPORTATION  
 F.A.I. 90/94 (DAN RYAN EXPRESSWAY)  
 63RD STREET TO GARFIELD BLVD (SB LOCAL LANES)

**DRAINAGE DETAILS**  
**TEMPORARY SOIL RETENTION SYSTEM**

SCALE: NONE  
 DATE: June 9, 2006

DRAWN BY: RMG  
 CHECKED BY: xxx

DDT-2