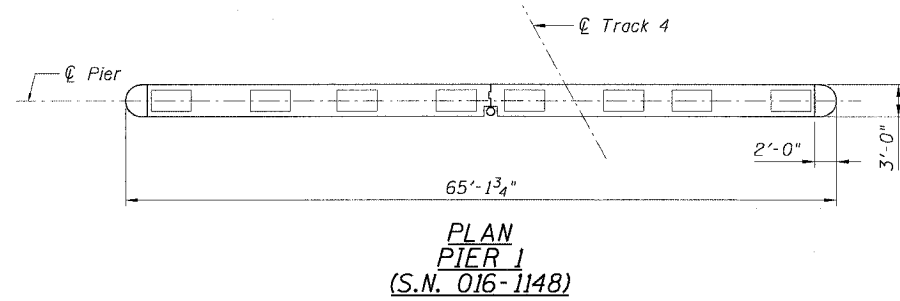
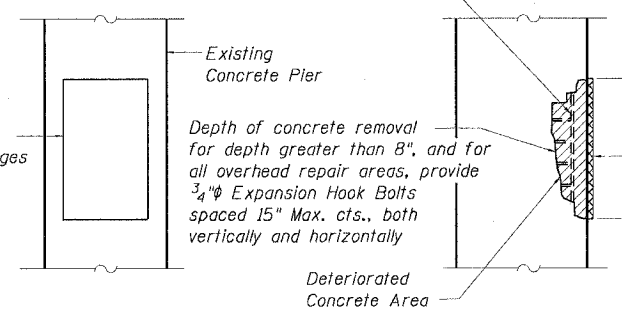


STATE OF ILLINOIS  
DEPARTMENT OF TRANSPORTATION

F.A.I. RTE.	SECTION	COUNTY	TOTAL SHEETS	SHEET NO.
90/94	*	COOK	247	176
STA.		TO STA.		
FED. ROAD DIST. NO. 1		ILLINOIS FED. AID PROJECT		
60A63		• (1919.15, 2021-922 PT1 & PT2) R-2		

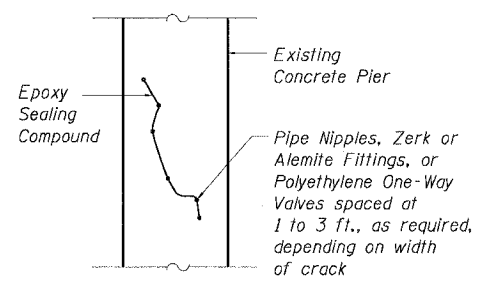


Clean and incorporate existing Reinforcement Bars. Reinforcement Bars that have been cut or have lost 25% or more of their original cross sectional area shall be supplemented by new Epoxy Coated Reinforcement Bars.



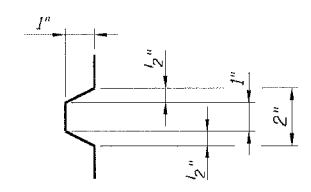
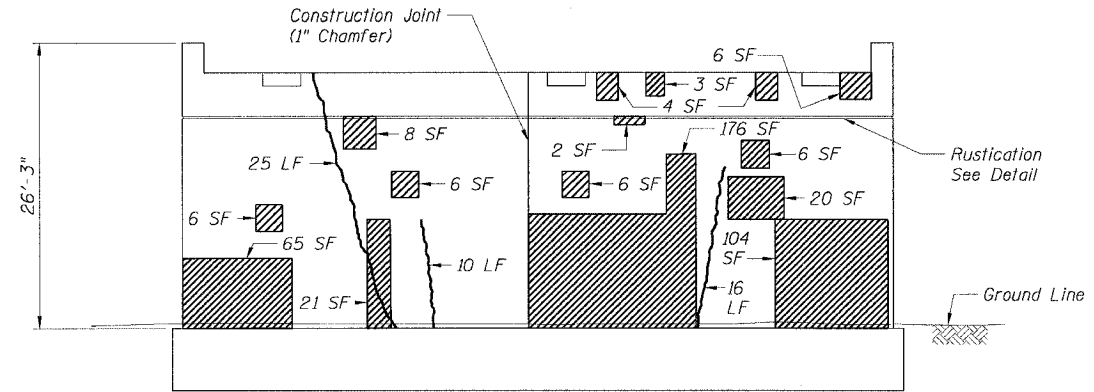
Apply a protective coat to the exposed surface of all Structural Repair of Concrete in accordance with Article 503.19 of the Standard Specifications

Formwork shall be completely mortar tight and closely fitted where it adjoins the existing concrete surface to prevent leakage



STRUCTURAL REPAIR OF CONCRETE DETAIL

EPOXY CRACK SEALING DETAIL



DETAIL OF RUSTICATION

LEGEND

- Area of Structural Repair of Concrete (Depth Equal to or Less than 5")
- Epoxy Crack Sealing

ELEVATION  
PIER 1 - SOUTH FACE  
(S.N. 016-1148)

BILL OF MATERIAL

Item	Unit	Quantity
		Pier 1 South Face
Structural Repair of Concrete (Depth Equal to or Less Than 5")	Sq Ft	462
Epoxy Crack Sealing	LF	51
Protective Coat	Sq Yd	51

REVISIONS	
NAME	DATE

ILLINOIS DEPARTMENT OF TRANSPORTATION  
F.A.I. 90/94 (DAN RYAN EXPRESSWAY)  
63RD STREET TO GARFIELD BLVD (SB LOCAL LANES)  
PIER 1 - PLAN AND ELEVATION  
SUBSTRUCTURE AND ABUTMENT REPAIRS  
METRA BRIDGE (SN 016-1148) AND  
COOK COUNTY  
SCALE: None DRAWN BY: CHD  
DATE: June 9, 2006 CHECKED BY: MJP

CTE | AECOM