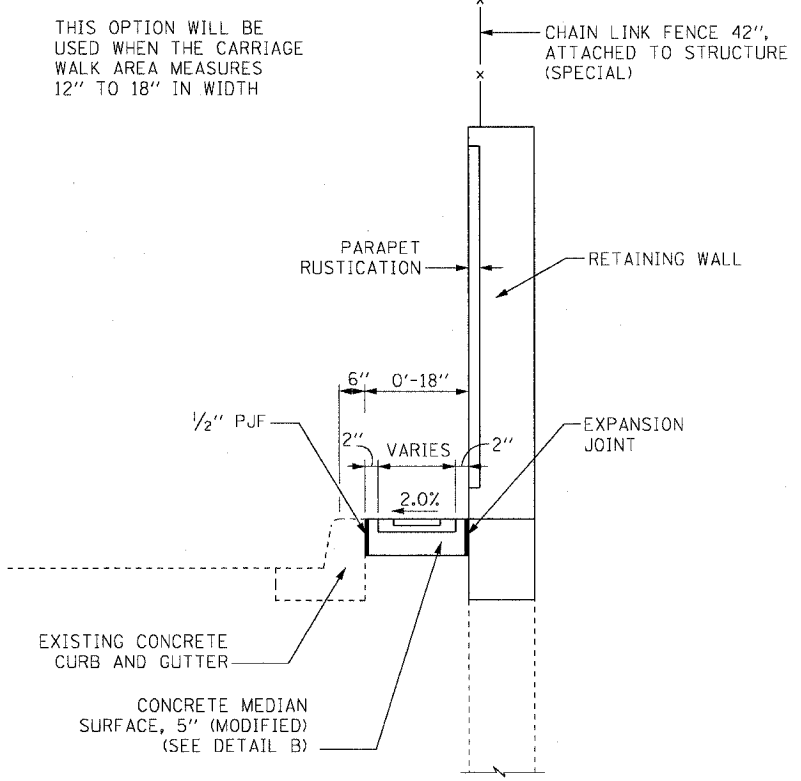
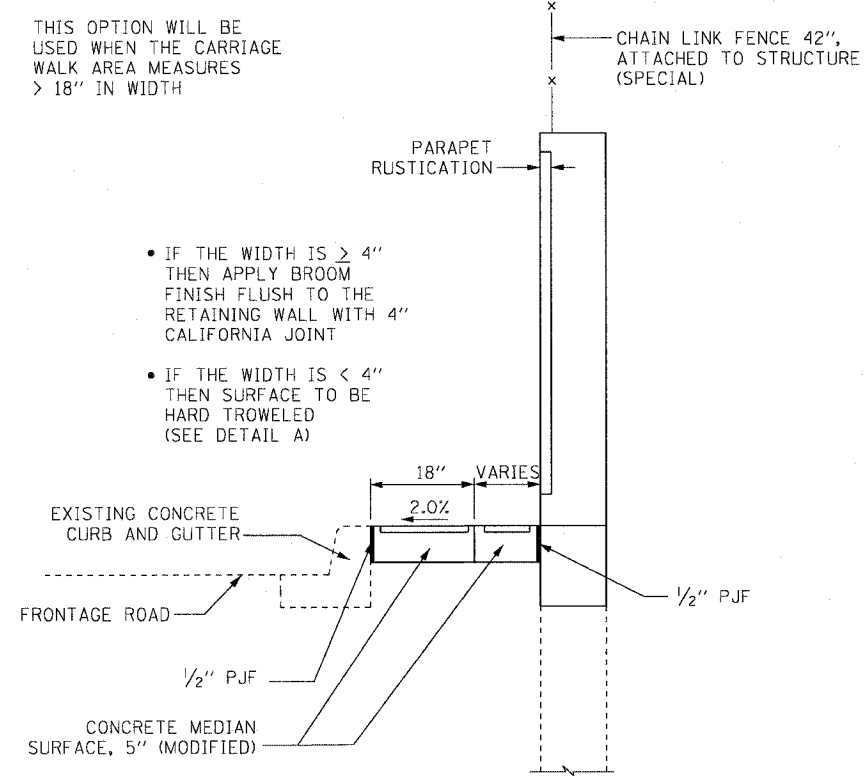


F.A.I. RTE.	SECTION	COUNTY	TOTAL SHEETS	SHEET NO.
90/94		COOK	247	187
STA.	TO STA.			
FED. ROAD DIST. NO. 1	ILLINOIS FED. AID PROJECT			
60A63	(1919.15, 2021-922 PT1 & PT2) R-2			



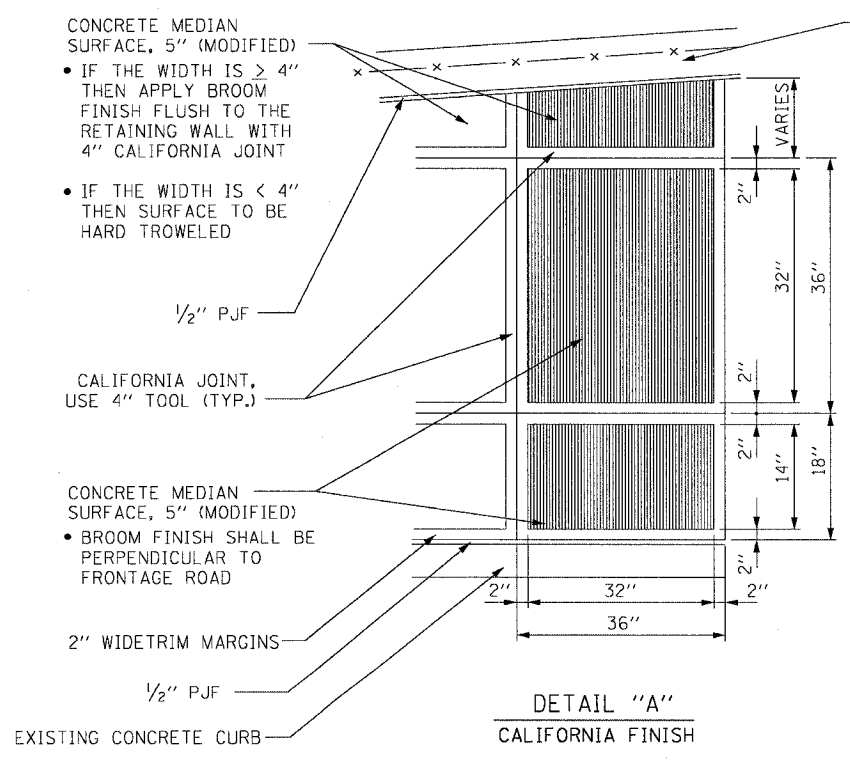
CARRIAGE WALK  
AREA 12" TO 18" WIDE



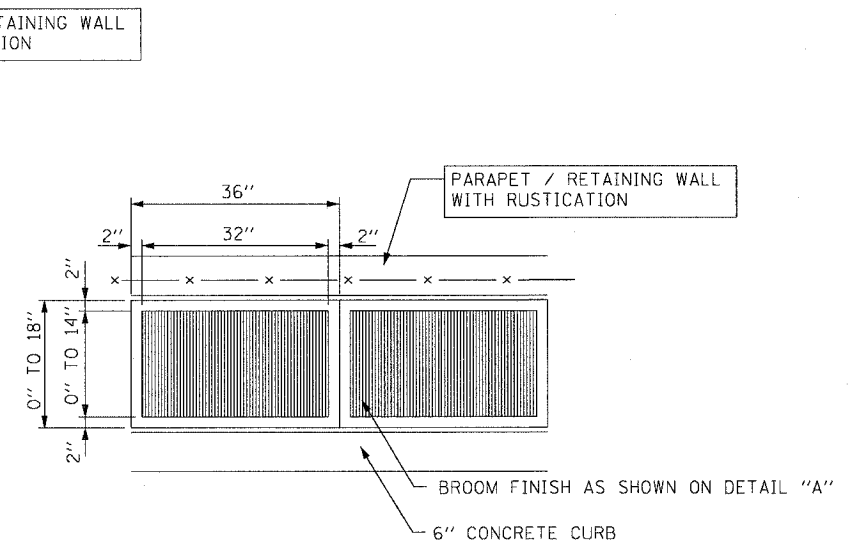
CARRIAGE WALK  
AREA > 18" WIDE

- IF THE WIDTH IS  $\geq 4"$  THEN APPLY BROOM FINISH FLUSH TO THE RETAINING WALL WITH 4" CALIFORNIA JOINT
- IF THE WIDTH IS  $< 4"$  THEN SURFACE TO BE HARD TROWELED (SEE DETAIL A)

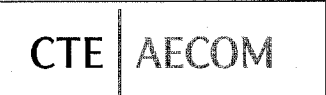
CIVIL BILL OF MATERIAL		
ITEM	UNIT	QUANTITY
Protective Coat	Sq. Yd.	134
Paved Shoulder Removal	Sq. Yd.	149
Guardrail Removal	Foot	176
Concrete Median Surface, 5" (Modified)	Sq. Ft.	1,201



DETAIL "A"  
CALIFORNIA FINISH



DETAIL "B"  
CALIFORNIA FINISH



REVISIONS	
NAME	DATE

Sheet B7 of 7

ILLINOIS DEPARTMENT OF TRANSPORTATION  
F.A.I. 90/94 (DAN RYAN EXPRESSWAY)  
63RD STREET TO GARFIELD BLVD (SB LOCAL LANES)

CONCRETE MEDIAN SURFACE, 5" (MODIFIED)  
CARRIAGE WALK AND CALIFORNIA FINISH DETAIL

SCALE: NONE  
DATE: June 9, 2006

DRAWN BY: PHP  
CHECKED BY: NJH

P:\V\40468\Struct\8-Chri\809-Chri\90AS\1\SD19\002\A317

10:36:05 AM 6/27/2006