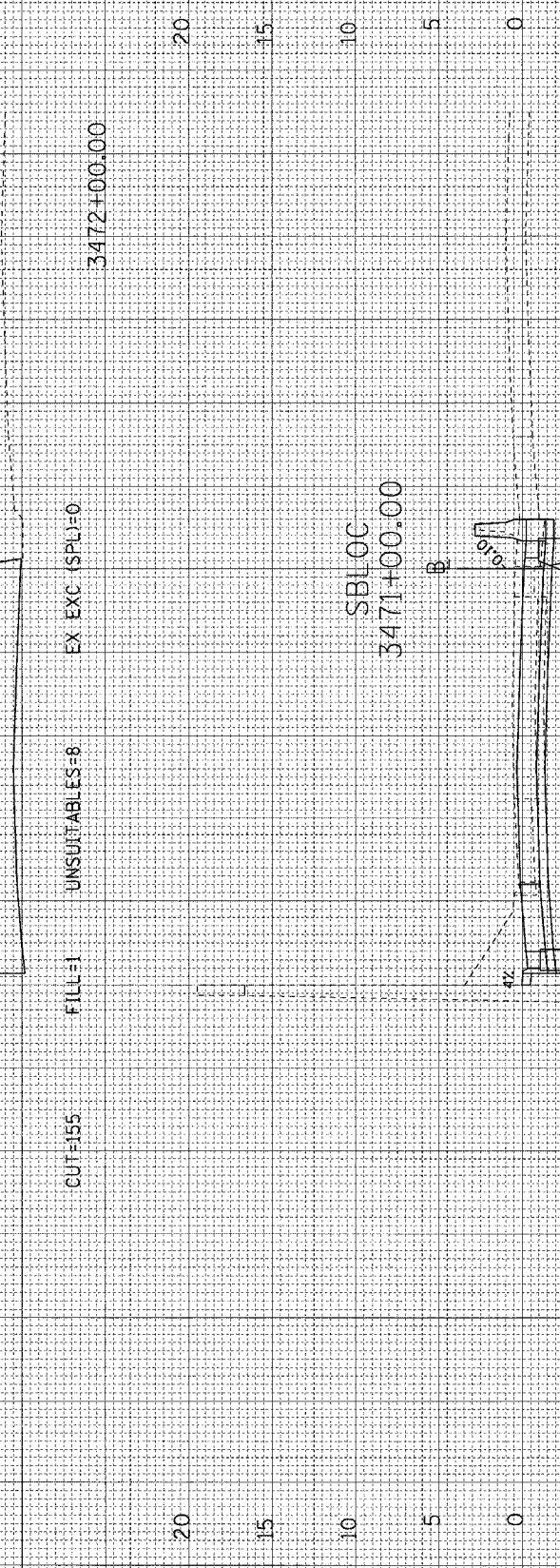
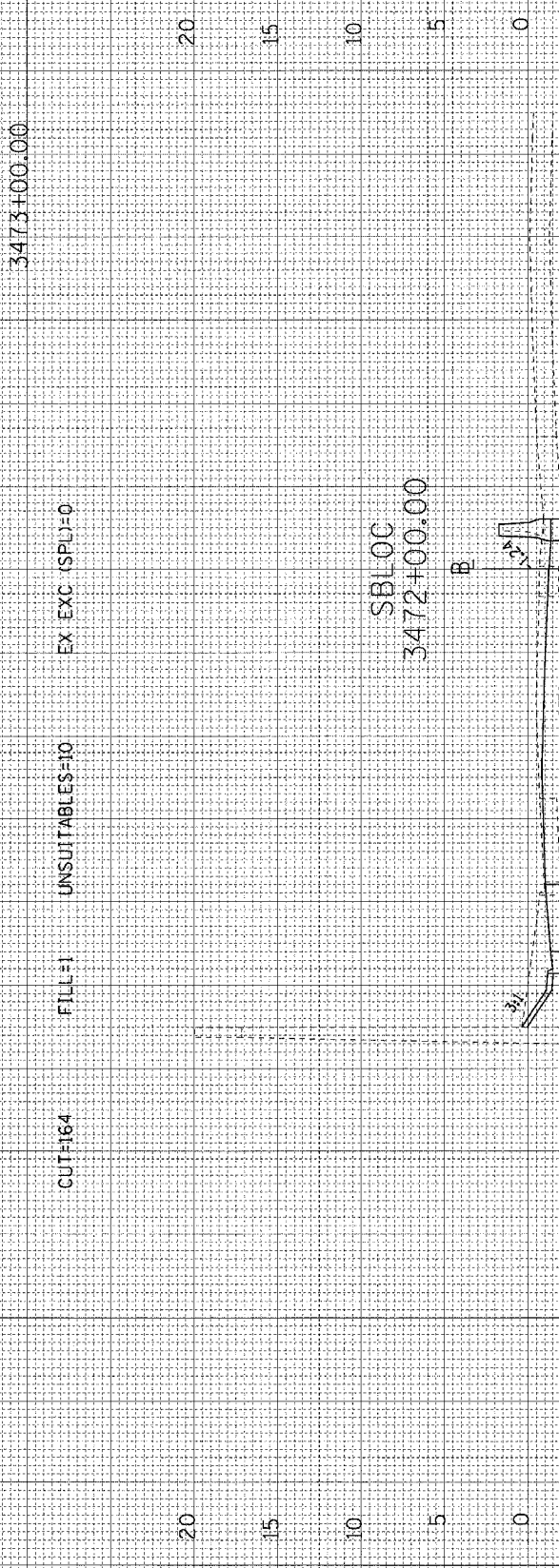
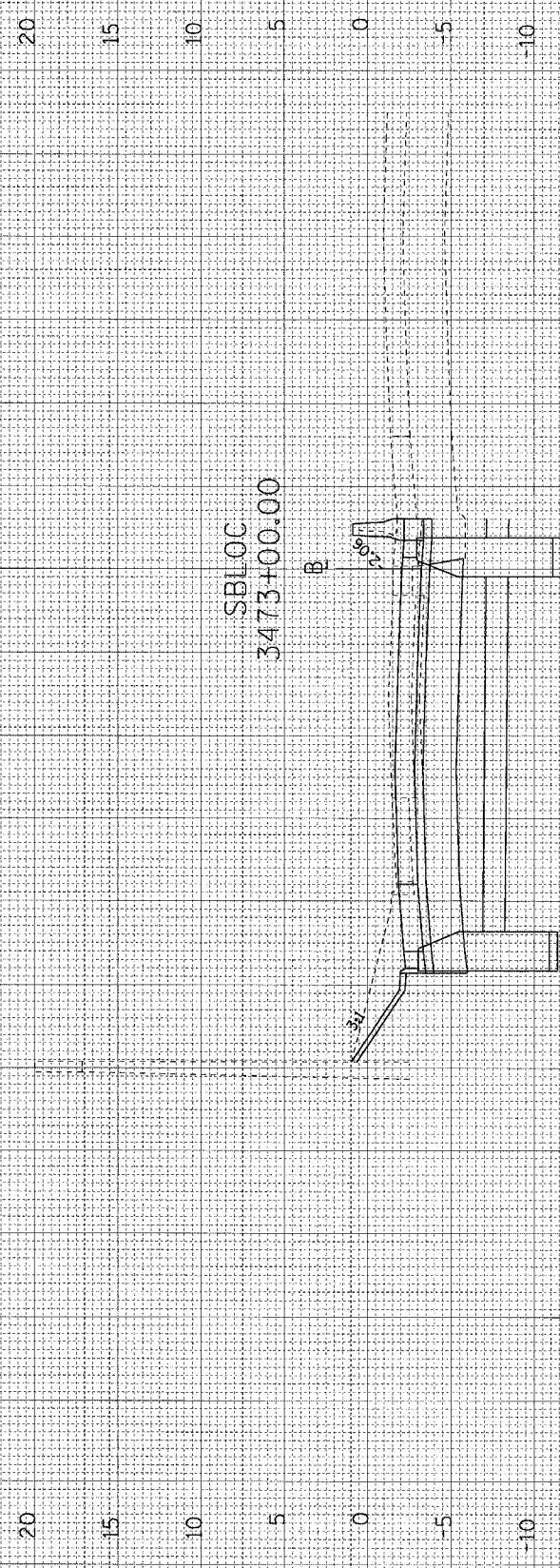


ORIGINAL SURVEY PLOTTED
 NOTE BOOK NO. _____
 AREAS CHECKED _____

FINAL SURVEY PLOTTED
 NOTE BOOK NO. _____
 AREAS CHECKED _____

BY _____
 DATE _____

BY _____
 DATE _____



F.A.I. RTE.	SECTION	COUNTY	TOTAL SHEETS	SHEET NO.
90/94	*	COOK	247	219

FED. ROAD DIST. NO. 1	ILLINOIS FED. AID PROJECT
60A63	(1919.15, 2021-922 PT1 & PT2) R-2