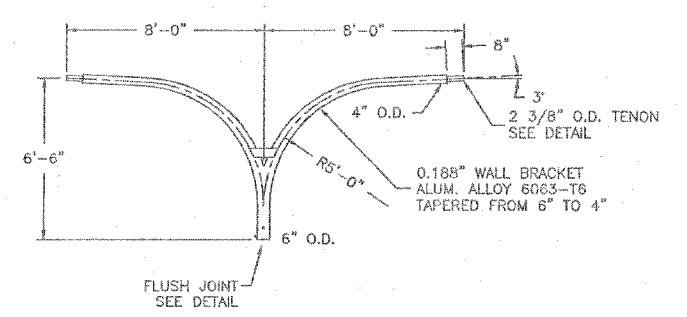
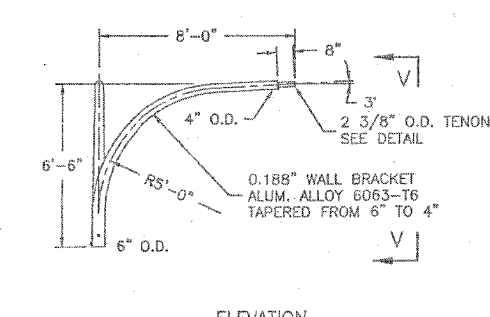


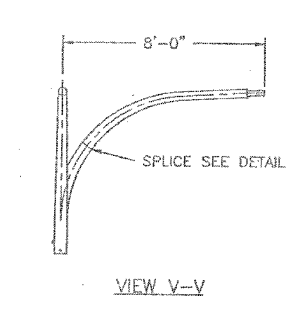
SINGLE DAVIT ARM



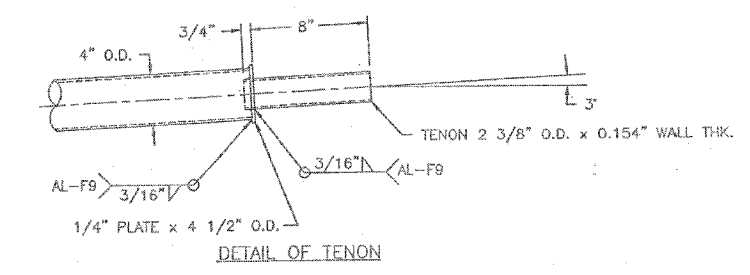
TWIN DAVIT ARM AT 180°



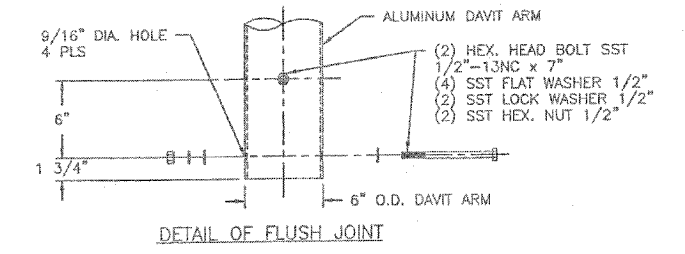
TWIN DAVIT ARM AT 90°



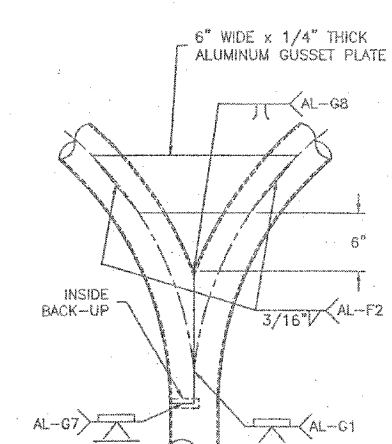
VIEW V-V



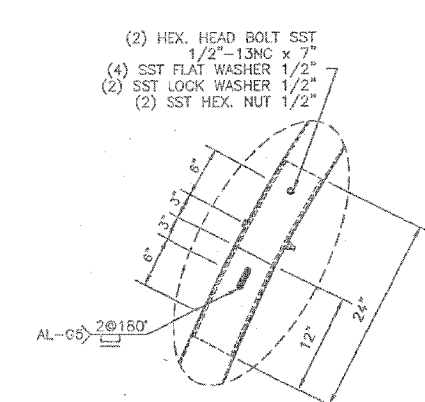
DETAIL OF TENON



DETAIL OF FLUSH JOINT



TWIN ARM (180°) WELD DETAIL



SPLICE DETAIL

<b>ALUMINUM DAVIT ARM</b> 6" x 8'-0"	
<b>CITY OF CHICAGO</b> DEPT. OF STREETS AND SANITATION DIVISION OF ELECTRICITY	
DESIGNED BY SUPERVISING ENGINEER, ELEC. DESIGN GROUP	ENGINEER
ENGINEER-IN-CHARGE GENL. Supt. OF CONSTRUCTION	DWG. NO. <b>948</b>
DEPUTY COMMISSIONER	DATE: 1-29-02
SCALE: 1" = 1'-0"	

NO.	BY	DATE	DESCRIPTION
REVISIONS			
<b>EJM ENGINEERING, INC.</b> 411 South Wells Street Suite 800 Chicago, Illinois 60607			
<b>FOSTER AVE. BRIDGE OVER I-94</b>			
<b>STANDARD ELECTRICAL DRAWINGS</b>			
CONTRACTANT RJN GROUP, INC. 200 W. FRONT ST. WHEATON, IL 60187			
<b>CITY OF CHICAGO</b> DEPARTMENT OF TRANSPORTATION DIVISION OF ENGINEERING CITY OF CHICAGO DEPT. OF STREETS AND SANITATION BUREAU OF ELECTRICITY DIVISION OF ELECTRICAL ENGINEERING			
DRAWN JIM	CHECKED RES	DATE JUNE 30, 2006	SHEET NO. <b>E-13</b>
APPROVED			PROJECT NO. E-4-442

6/29/2006 6:48:58 PM K:\118251\CADD\NAME-13.GDT