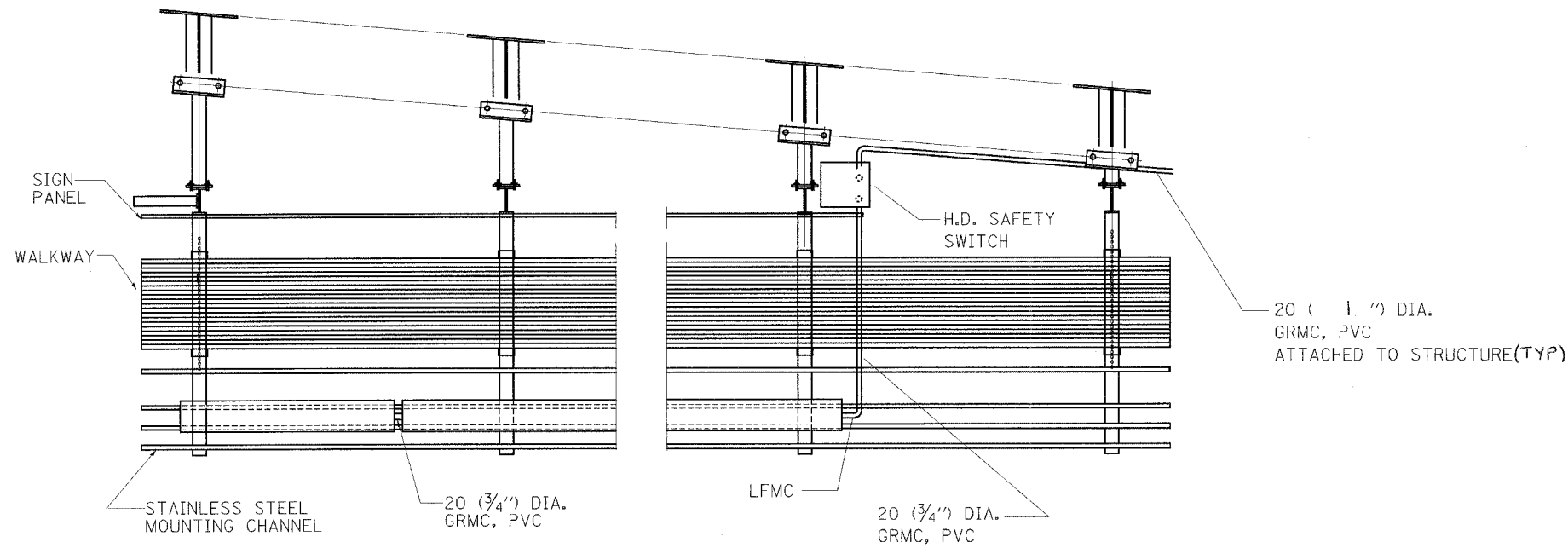
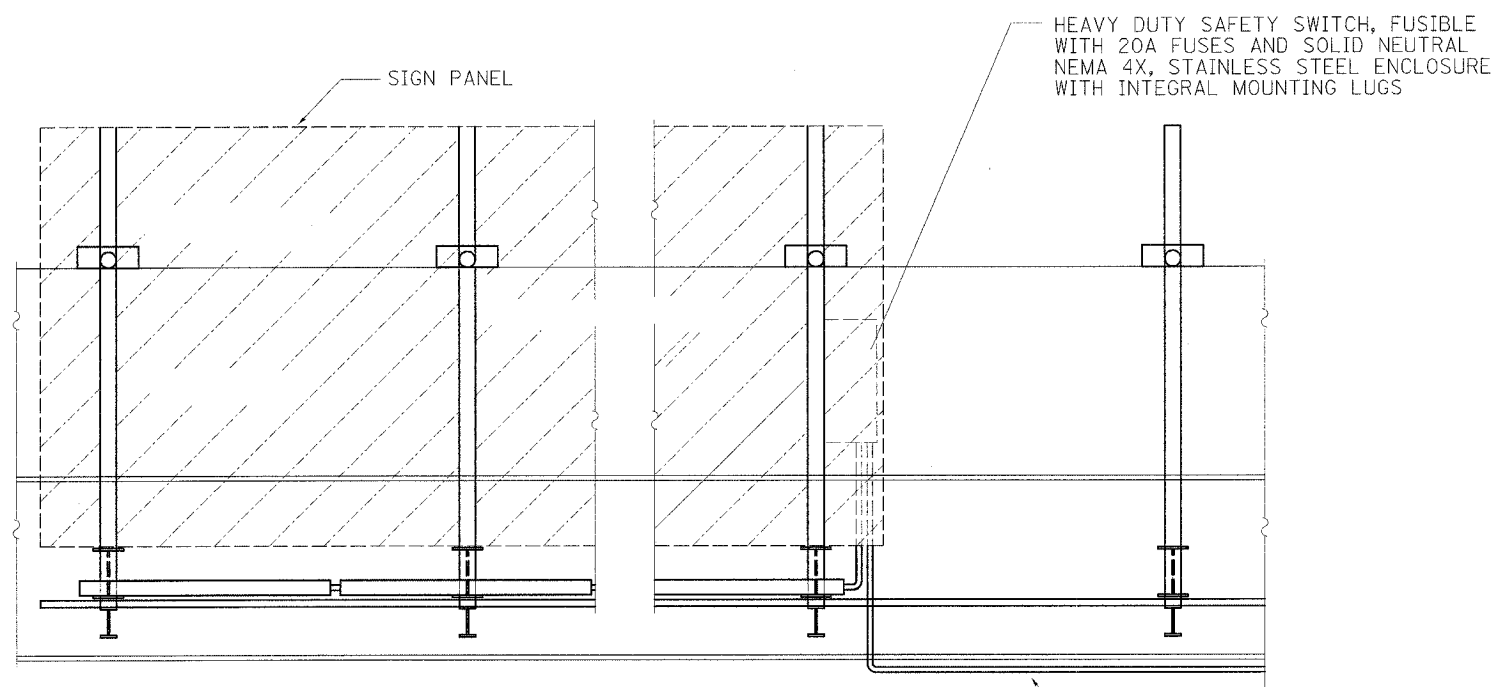
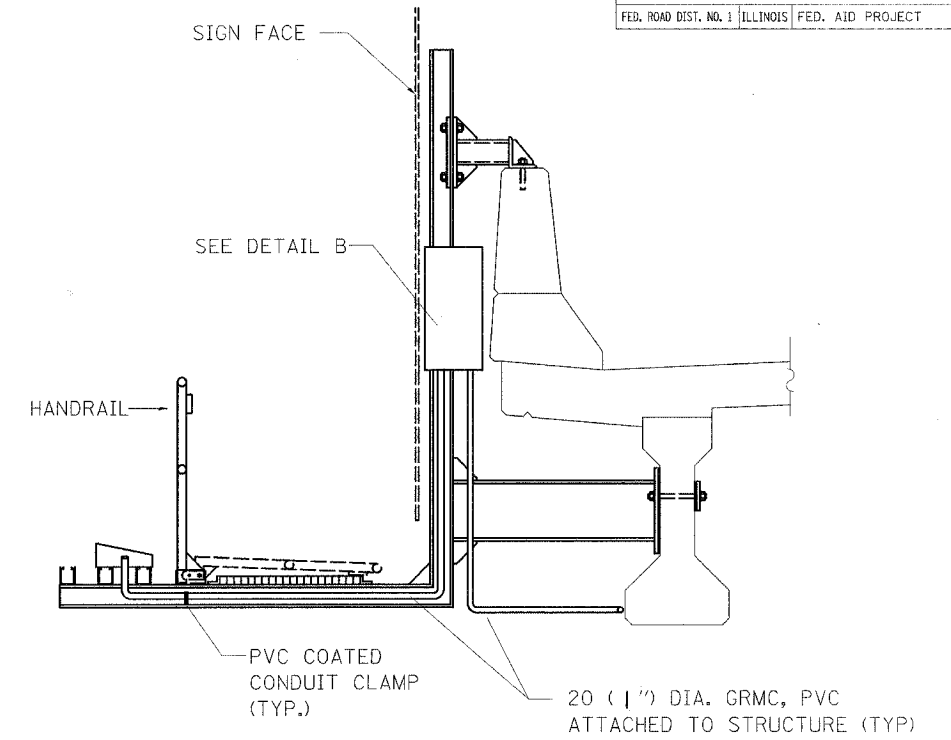


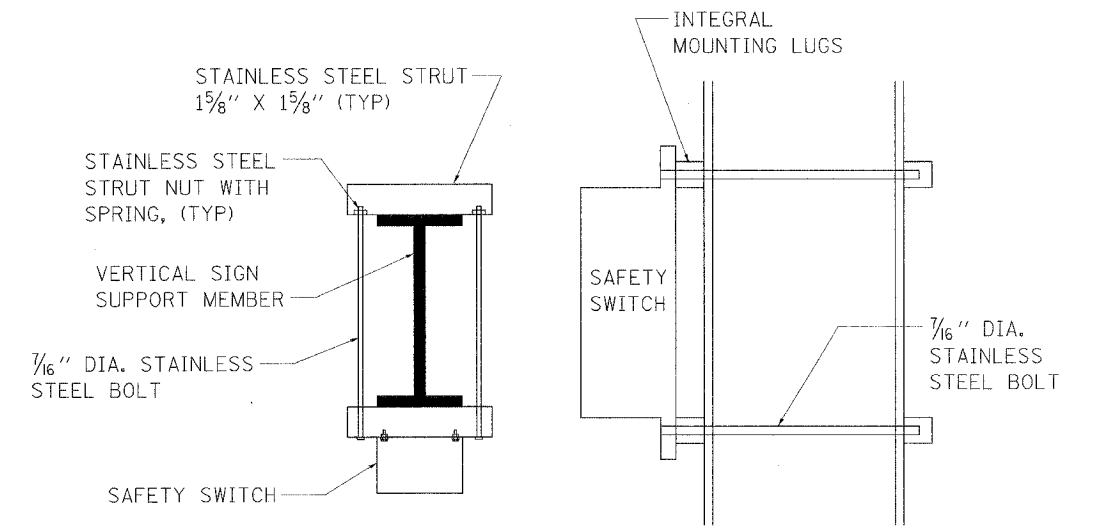
F.A.U. RTE.	SECTION	COUNTY	TOTAL SHEETS	SHEET NO.
1360	0101BR-2	COOK	90	48
STA.		TO STA.		
FED. ROAD DIST. NO. 1		ILLINOIS FED. AID PROJECT		



TOP VIEW



ELEVATION VIEW



TOP VIEW

SIDE VIEW

DETAIL B

NOTE: THIS DRAWING PREPARED BY IDOT

REVISIONS		ILLINOIS DEPARTMENT OF TRANSPORTATION
NAME	DATE	
		ELECTRIC CONNECTION TO SIGN STRUCTURE BRIDGE MOUNTED 2 OF 2

SCALE: VERT. HORIZ. DATE

DRAWN BY CHECKED BY

Rev.