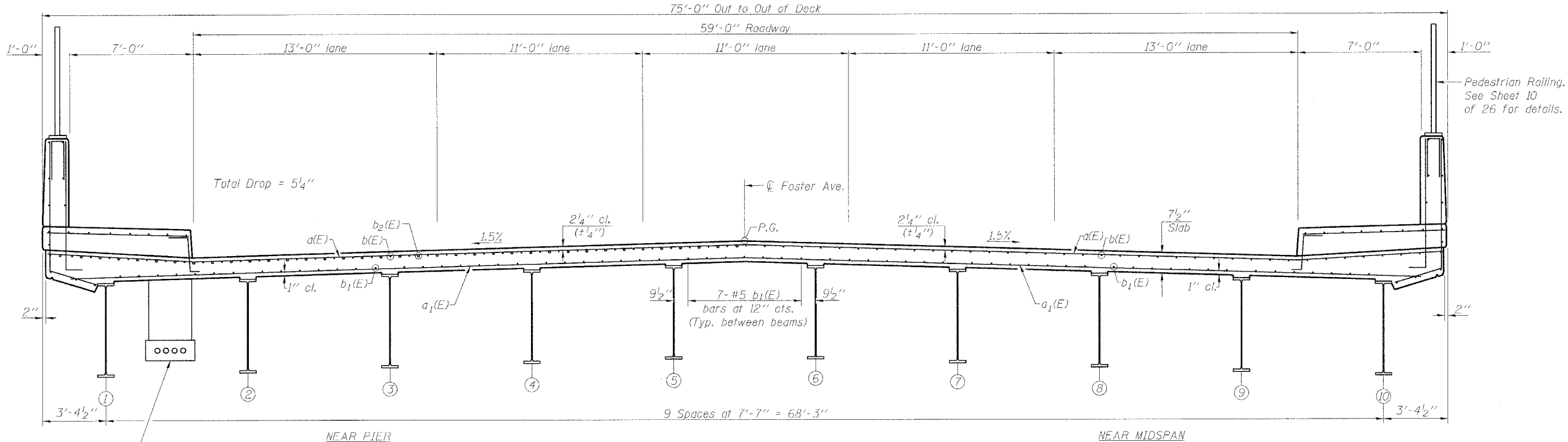


Contract #60A65



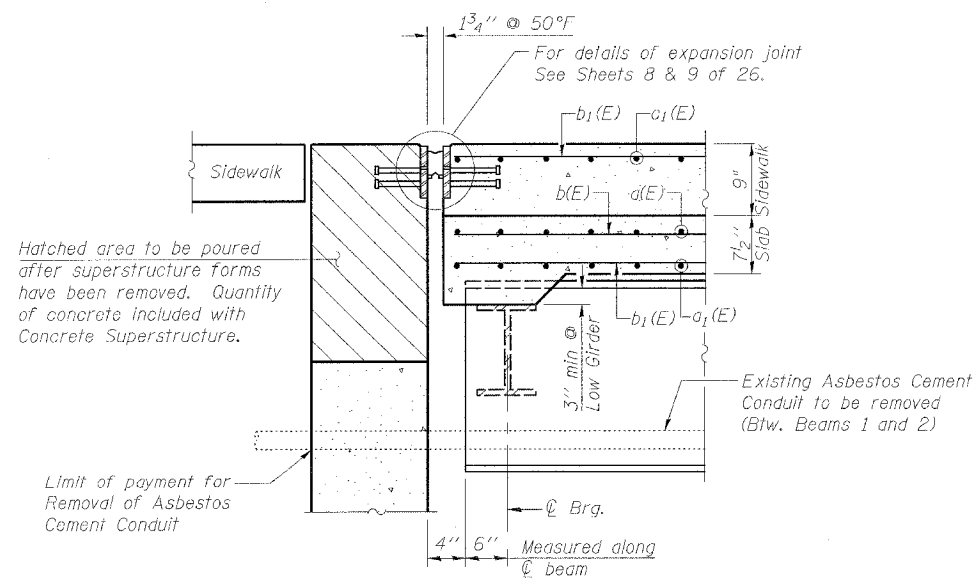
**DECK CROSS SECTION**  
(Looking East)

4 Existing 3 1/2" Ø Asbestos Cement Conduits - New ducts to be installed below diaphragms (See Note A)

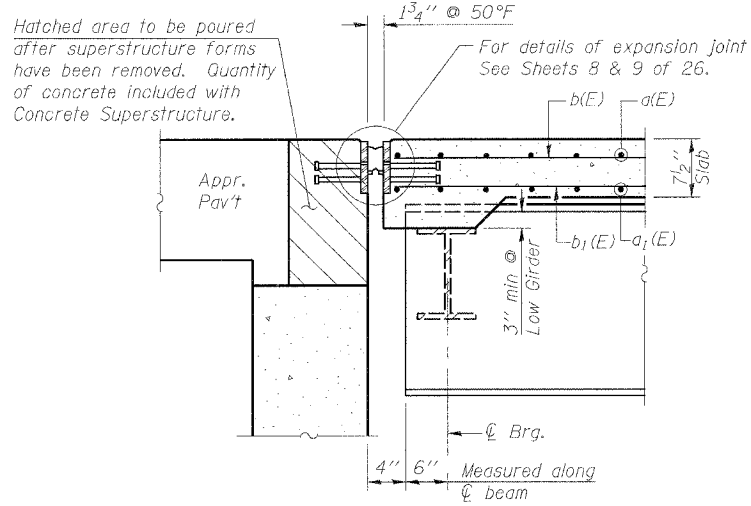
**NOTES**

See Sheet 5 of 26 for Section locations.  
See Sheet 7 of 26 for Parapet & Sidewalk details and Bill of Material.

Note A:  
Installation of hangers is included with Conduit Attached to Structure.  
See Sheet E-02 for conduit installation.



**SECTION A-A**



**SECTION B-B**

**BILL OF MATERIAL**

Item	Unit	Total
Removal of Asbestos Cement Conduit	Foot	464

**rjngroup**  
Excellence through Ownership  
200 West Front Street  
Wheaton, IL 60187

ILLINOIS DEPARTMENT OF TRANSPORTATION  
SUPERSTRUCTURE CROSS SECTION AND DETAILS  
FOSTER AVE. OVER I-94 (EDENS EXPRESSWAY)  
FAU RTE 1360 - SECTION 0101BR-2  
COOK COUNTY  
STATION 100+00  
STRUCTURE NO. 016-0246

DATE: 4/30/2006  
DRAWN BY: JMT  
CHECKED BY: BLB