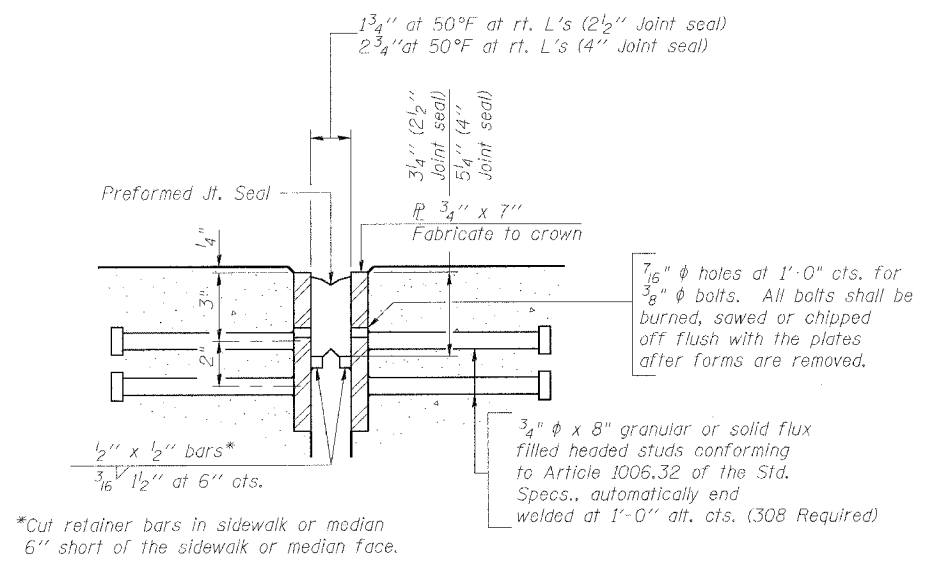


GENERAL NOTES

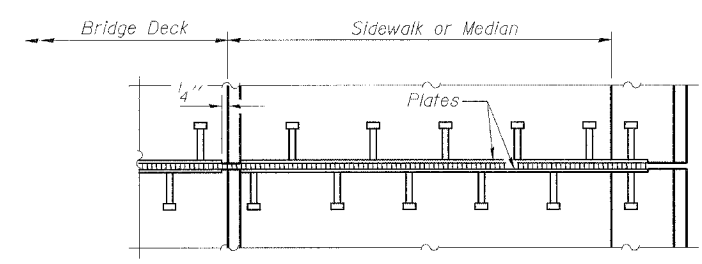
Furnish steel plates in segments of 20 feet maximum length. Maximum space between installed segments shall be 3/16". Seal space with silicone sealant suitable for structural steel.

Bridge Joint System (Expansion)		
Design Movement	Required Preformed Joint Seal Size	Required Strip Seal Rated movement
1"	2 1/2"	1"
1 5/8"	4"	2"

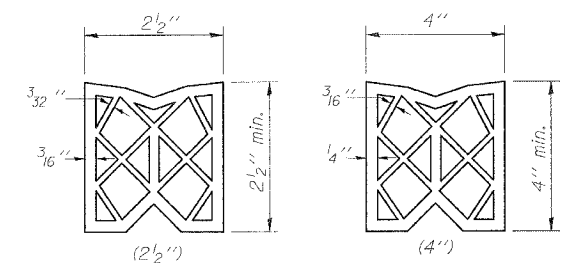


SECTION THRU EXPANSION JOINT

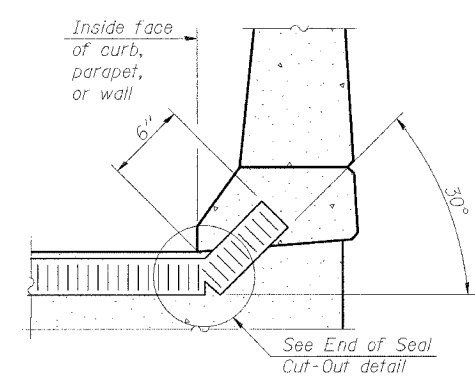
(2 1/2 inch and 4 inch joint seals)



PLAN AT SIDEWALK OR MEDIAN

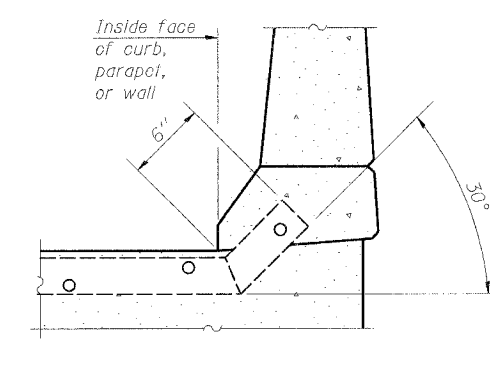


PREFORMED JOINT SEAL



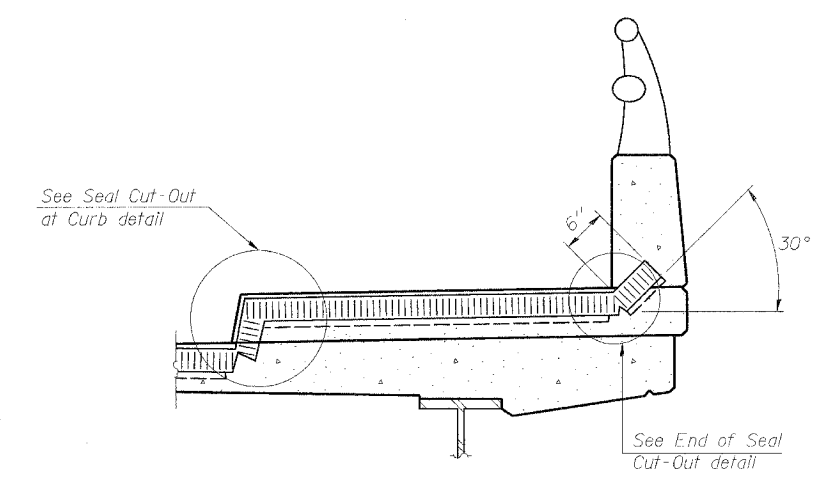
AT CURB, PARAPET, OR WALL

(Showing seal)



AT CURB, PARAPET, OR WALL

(Showing plate)

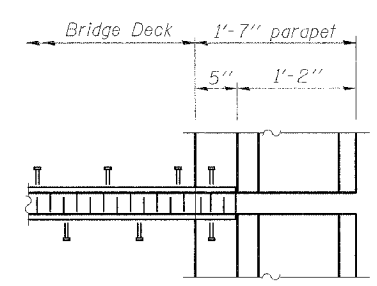


AT SIDEWALK OR MEDIAN*

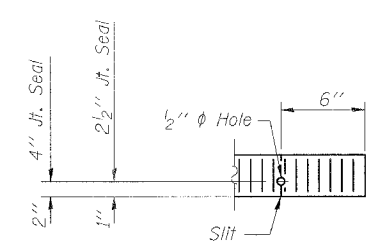
(Showing plate and seal)

* Shorter plates with a single row of studs at 12 inch centers may be necessary on medians which are shallower than 9 inch. See manufacturer's recommendation.

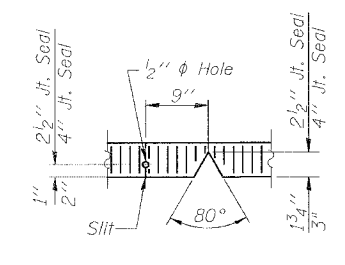
TYPICAL END TREATMENTS



PLAN AT PARAPET



END OF SEAL CUT-OUT



SEAL CUT-OUT AT CURB

BILL OF MATERIAL

Item	Unit	Total
Bridge Joint System (Expansion), 1"	Foot	151

rjngroup
Excellence through Ownership
200 West Front Street
Wheaton, IL 60187

ILLINOIS DEPARTMENT OF TRANSPORTATION
BRIDGE JOINT SYSTEM - EXPANSION
(PREFORMED JOINT SEAL)
FOSTER AVE. OVER I-94 (EDENS EXPRESSWAY)
FAU RTE 1360 - SECTION 0101BR-2
COOK COUNTY
STATION 100+00
STRUCTURE NO. 016-0246
DATE: 4/30/2006
DRAWN BY LCM
CHECKED BY BLB