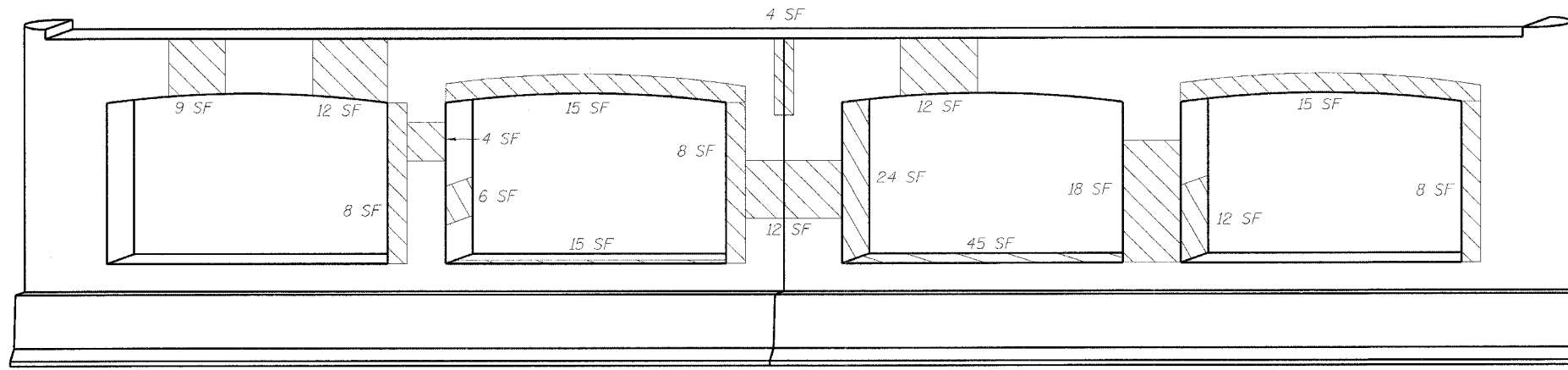



ROUTE NO.	SECTION	COUNTY	TOTAL SHEETS	SHEET NO.	SHEET NO. 21 26 SHEETS
FAU 1360	0101BR-2	COOK	90	69	
FED. ROAD DIST. NO. 7	ILLINOIS	FED. AID PROJECT			

Contract #60A65

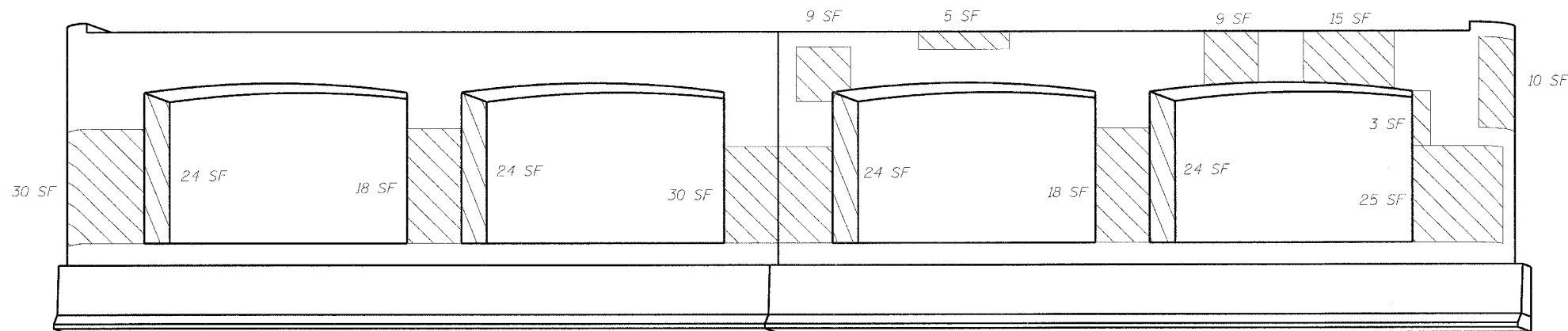


**PIER ELEVATION**  
(Looking West)

 Structural Repair of Concrete  
(Depth Equal to or Less Than 5")

**BILL OF MATERIAL**

Item	Unit	Total
Structural Repair of Concrete (Depth equal to or less than 5")	Sq. Ft.	495



**PIER ELEVATION**  
(Looking East)

6/29/2006 K:\1182519\Structure\Final Plans\Final\_Plan.dgn

**rjngroup**  
Excellence through Ownership

200 West Front Street  
Wheaton, IL 60187

ILLINOIS DEPARTMENT OF TRANSPORTATION

PIER REPAIRS  
FOSTER AVE. OVER I-94 (EDENS EXPRESSWAY)  
FAU RTE 1360 - SECTION 0101BR-2  
COOK COUNTY  
STATION 100+00  
STRUCTURE NO. 016-0246

DATE: 4/30/2006

DRAWN BY LCM  
CHECKED BY BLB