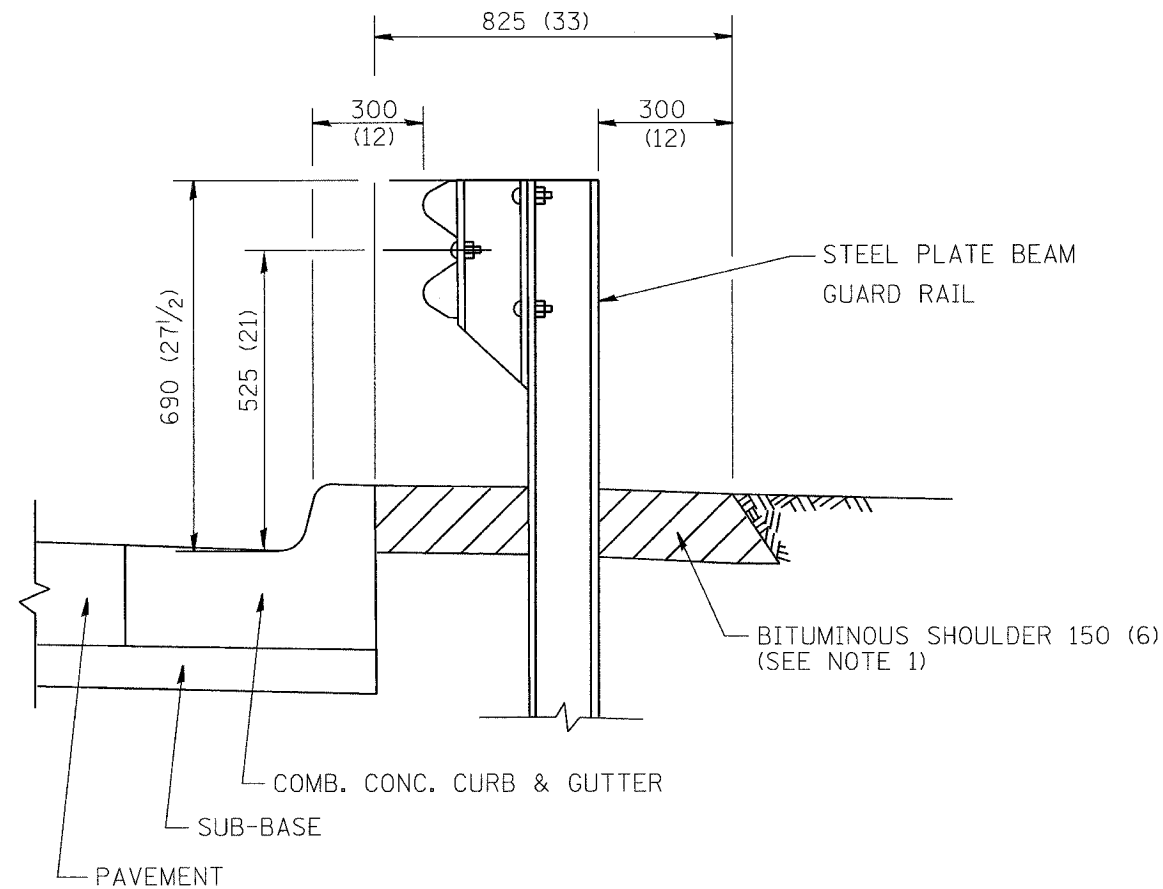


F.A. RTE.	SECTION	COUNTY	TOTAL SHEETS	SHEET NO.
1380	0101BR-2	COOK	90	77
STA.		TO STA.		
FED. ROAD DIST. NO.		ILLINOIS FED. AID PROJECT		

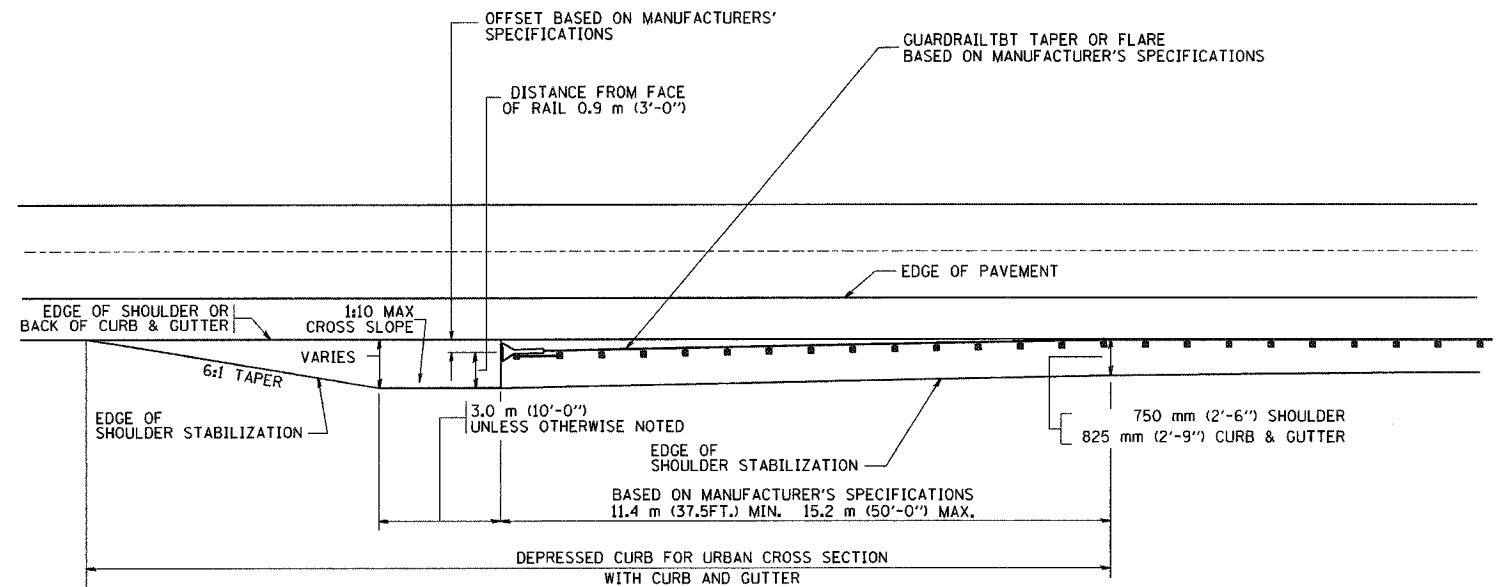


- NOTES: 1. THE BITUMINOUS SHOULDER SHALL EXTEND UNDER THE TRAFFIC BARRIER TERMINAL
2. GUARD RAIL MAY BE PLACED AT THE BACK OF CURB WHEN DIRECTED BY THE ENGINEER.

BASIS OF PAYMENT: BITUMINOUS SHOULDER 150 (6) WILL BE PAID FOR AT THE CONTRACT UNIT PRICE PER m² (sq. yd.) AS "BITUMINOUS SHOULDER 150 (6)."

STEEL PLATE BEAM GUARD RAIL AND TRAFFIC BARRIER TERMINAL, OF THE TYPE SPECIFIED WILL BE PAID FOR SEPARATELY.

DETAILS FOR STEEL PLATE BEAM GUARD RAIL ADJACENT TO CURB AND GUTTER
 [FOR ROADWAY SPEED 60 kmh (35 MPH) TO 70 kmh (45 MPH)]



STABILIZATION AT TBT TY. 1 SPL.

ALL DIMENSIONS ARE IN MILLIMETERS (INCHES) UNLESS OTHERWISE SHOWN.

REVISIONS	
NAME	DATE
M. DE YONG	09-22-90
M. DE YONG	07-14-92
R. SHAH	09/09/94
R. SHAH	10/25/94
R. SHAH	02/23/95
A. ABBAS	03/21/97
E. GOMEZ	08/28/00

ILLINOIS DEPARTMENT OF TRANSPORTATION

DETAILS FOR STEEL PLATE BEAM GUARD RAIL ADJACENT TO CURB AND GUTTER STABILIZATION AT TBT TY 1 SPL.

SCALE: VERT. HORIZ. DATE: 2/15/2006

DRAWN BY jls CHECKED BY