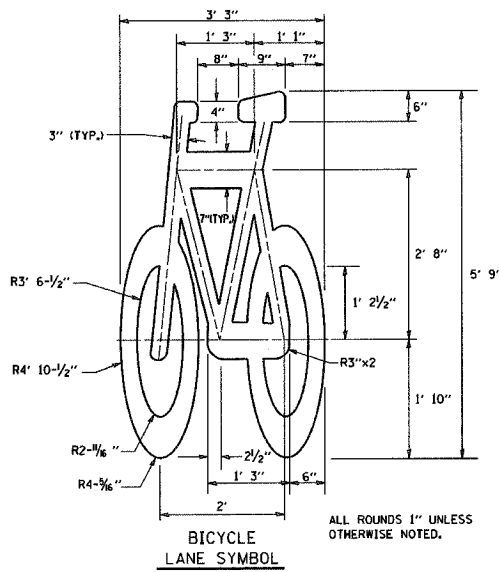
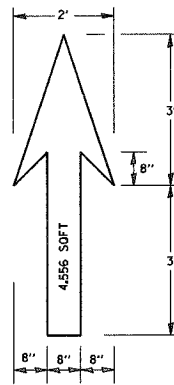


F.A.R. RTE.	SECTION	COUNTY	TOTAL SHEETS	SHEET NO.
1360	0101BR-2	COOK	90	85
STA.		TO STA.		
FED. ROAD DIST. NO. 1		ILLINOIS FED. AID PROJECT		

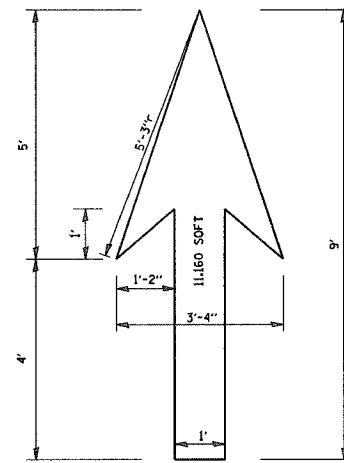


**NOTE:**  
 1.) FOR BIKE LANE SYMBOLS ONLY,  
 USE PRE-FORMED THERMOPLASTIC  
 WITH A MINIMUM THICKNESS OF 90 MILS,  
 MINIMUM SKID RESISTANCE VALUE OF 60 BPN,  
 & A MINIMUM INDEX OF REFRACTION OF 1.50.

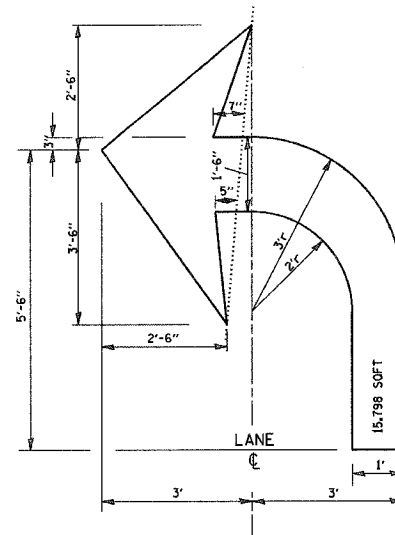
2.) THE RESIDENT ENGINEER SHALL CONTACT  
 MR. BEN GOMBERG AT 312-744-8093 AT  
 LEAST ONE CALENDAR WEEK PRIOR TO  
 INSTALLING BIKE LANE SYMBOLS.

**TYPICAL BIKE LANE SYMBOLS**  
 DRAWING #28

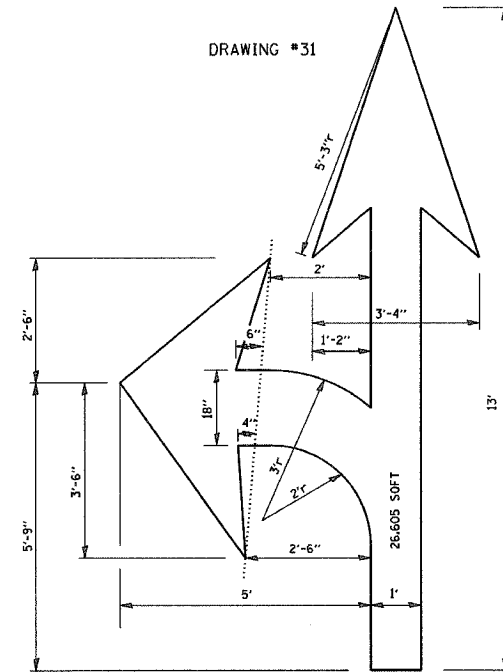
**DRAWING #29**



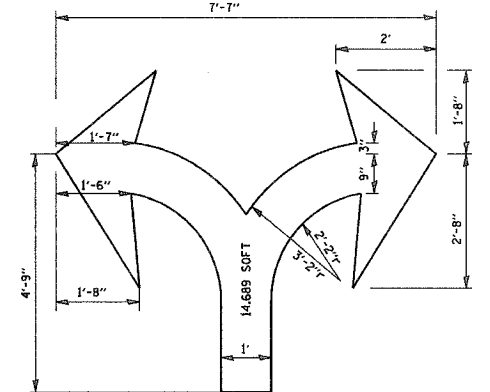
**DRAWING #30**



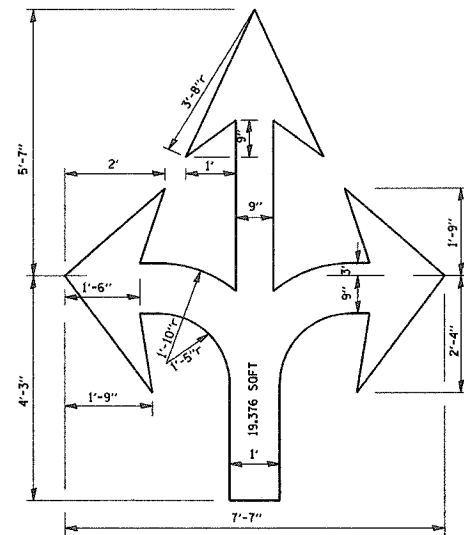
**DRAWING #31**



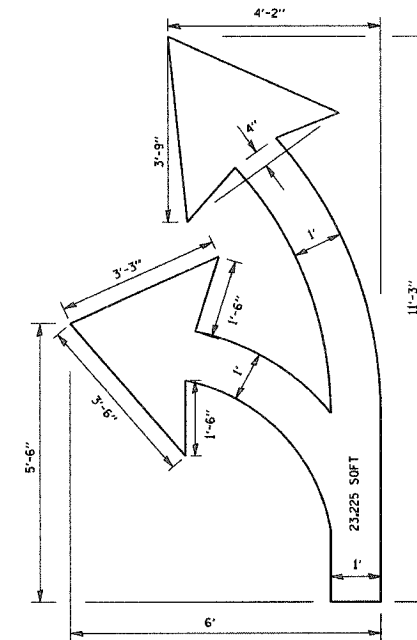
**DRAWING #32**



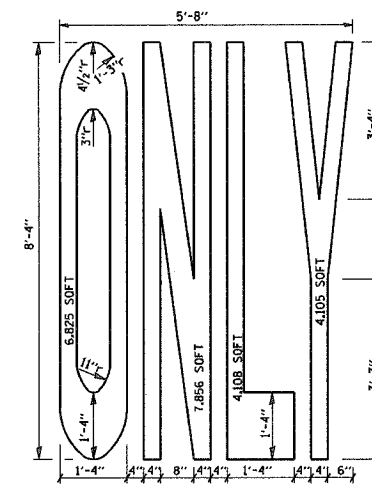
**DRAWING #33**



**DRAWING #34**



**DRAWING #35**



**NOTE:**  
 ALL MARKINGS SHALL BE  
 SOLID WHITE UNLESS  
 OTHERWISE NOTED IN THE  
 PLANS

REVISIONS	
NAME	DATE
T. RAMMACHER	12/07/00

ILLINOIS DEPARTMENT OF TRANSPORTATION

**CITY OF CHICAGO**  
**TYPICAL PAVEMENT**  
**MARKINGS.**

SCALE: NONE  
 DATE: 2/15/2006

DRAWN BY  
 CHECKED BY  
 TC-24

REVISION DATE: 02/25/04

PLOT DATE = 2/15/2006 ac24.dgn  
 PLOT SCALE = 16:0000 / IN.  
 USER NAME = goplombst