

F.A.P. RTE.	SECTION	COUNTY	TOTAL SHEETS	SHEET NO.
344	2006-003 TS	COOK	63	27
STA.		TO STA.		
FED. ROAD DIST. NO.	ILLINOIS	FED. AID PROJECT		
CONTRACT NO. 60B13				

PROPOSED INTERCONNECT TO 9TH AV.

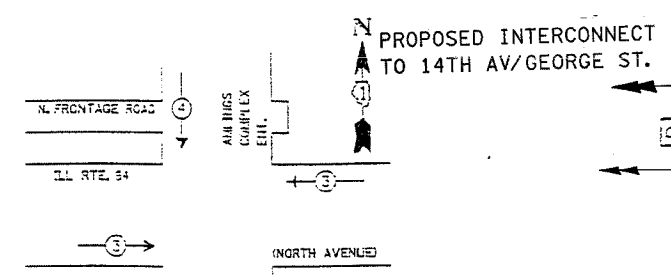
### PROPOSED SCHEDULE OF QUANTITIES

FULL-ACTUATED CONTROLLER ..... EACH 1  
 TRANSCEIVER - FIBER OPTIC ..... EACH 1

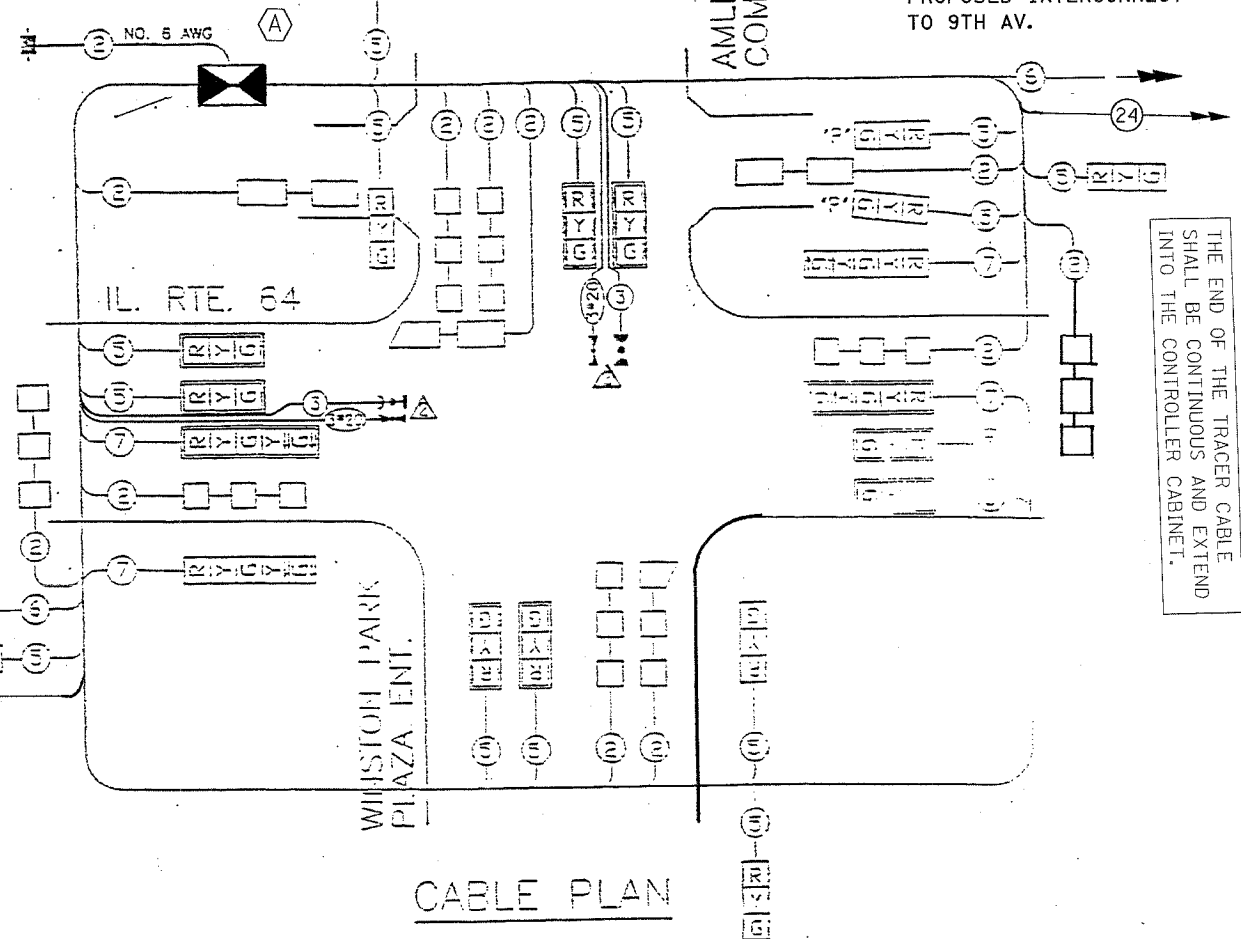
(A) THIS SHEET IS FOR PROPOSED FIBER OPTIC INTERCONNECT, NEW CONTROLLER ONLY.

THE END OF THE TRACER CABLE SHALL BE CONTINUOUS AND EXTEND INTO THE CONTROLLER CABINET.

PROPOSED EMERGENCY VEHICLE PREEMPTION SEQUENCE



PROPOSED EMERGENCY VEHICLE PREEMPTOR	
EMERGENCY VEHICLE PREEMPTOR	3 4
MOVEMENT	← → ↑ ↓



CABLE PLAN

### SEQUENCE OF OPERATION

MOVEMENT	SEQUENCE OF OPERATION																	FLASH															
PHASE INTERVAL	1 + 5				2 + 5				1 + 6				2 + 6				3	4															
CHANGE TO PHASE	1-2+5   1+5-6				1-5   2+6				1-5   2+6				3 OR 4				ALL OTHERS																
IL 64 E/S NEAR RIGHT AND MID MAST ARM SIGNALS	R	R	R	R	G	Y	R	G	Y	R	G	Y	R	R	R	R	R	R	R	R	R	R	R	R	R	R	R	R	R	R	R	R	
IL 64 E/S FAR LEFT AND END MAST ARM SIGNALS	R	R	R	R	G	Y	R	G	Y	R	G	Y	R	R	R	R	R	R	R	R	R	R	R	R	R	R	R	R	R	R	R	R	
IL 64 W/B NEAR RIGHT AND MID MAST ARM SIGNALS	R	R	R	R	R	R	R	R	R	R	R	R	R	R	R	R	R	R	R	R	R	R	R	R	R	R	R	R	R	R	R	R	
IL 64 W/B FAR LEFT AND END MAST ARM SIGNALS	R	R	R	R	R	R	R	R	R	R	R	R	R	R	R	R	R	R	R	R	R	R	R	R	R	R	R	R	R	R	R	R	
SERVICE ROAD NORTH SIDE E/S	R	R	R	R	R	R	R	R	R	R	R	R	R	R	R	R	R	R	R	R	R	R	R	R	R	R	R	R	R	R	R	R	
WINSTON PARK PLAZA N/S AND S/S SIGNALS	R	R	R	R	R	R	R	R	R	R	R	R	R	R	R	R	R	R	R	R	R	R	R	R	R	R	R	R	R	R	R	R	

- CABLE PLAN LEGEND**
- 8" TRAFFIC SIGNAL SECTION
  - 12" TRAFFIC SIGNAL SECTION
  - 12" PEDESTRIAN SIGNAL SECTION
  - CONTROLLER CABINET
  - SERVICE INSTALLATION
  - VEHICLE DETECTOR INDUCTION LOOP
  - PUSHBUTTON DETECTOR
  - INDICATED EXISTING CABLE
  - SIGNAL FACE WITH BACKPLATE
  - "P" INDICATED PROGRAMMED
  - EXISTING SIGNAL SECTION
  - MAGNETIC DETECTOR
  - OPTICAL DETECTOR
  - CONFIRMATION SEARCH

**SCHEDULE OF QUANTITIES**

TRAFFIC CONTROL AND PROTECTION, STANDARDS	EACH	1
ELECTRIC CABLE IN CONDUIT, SIGNAL	FOOT	258
ELECTRIC CABLE IN CONDUIT NO. 20 3C, TWISTED, SHIELDED	FOOT	18
MAINTENANCE OF EXISTING TRAFFIC SIGNAL INSTALLATION	EACH	1
LIGHT DETECTOR	EACH	1
LIGHT DETECTOR AMPLIFIER	EACH	1

INSTALLATION OF EMERGENCY VEHICLE PREEMPTION  
 6-03-02  
 MELROSE PARK-SHEET 193 OF 366  
 CHRISTOPHER S. BURKE ENGINEERING LTD.  
 275 West Higgins Road, Suite 600  
 Rosemont, Illinois 60018  
 647-923-0500

ILLINOIS DEPARTMENT OF TRANSPORTATION  
 CABLE PLAN, PHASE DESIGNATION DIAGRAM,  
 SCHEDULE OF QUANTITIES  
 IL. RTE. 64 (NORTH AVENUE)  
 AND  
 WINSTON PARK PLAZA

REVISIONS  
 NAME DATE  
 DESIGNER  
 CHECKED  
 DATE 6/19/06

SCALE: VERT. NTS  
 DATE 6/19/06  
 DRAWN BY  
 DESIGNED BY  
 CHECKED BY