

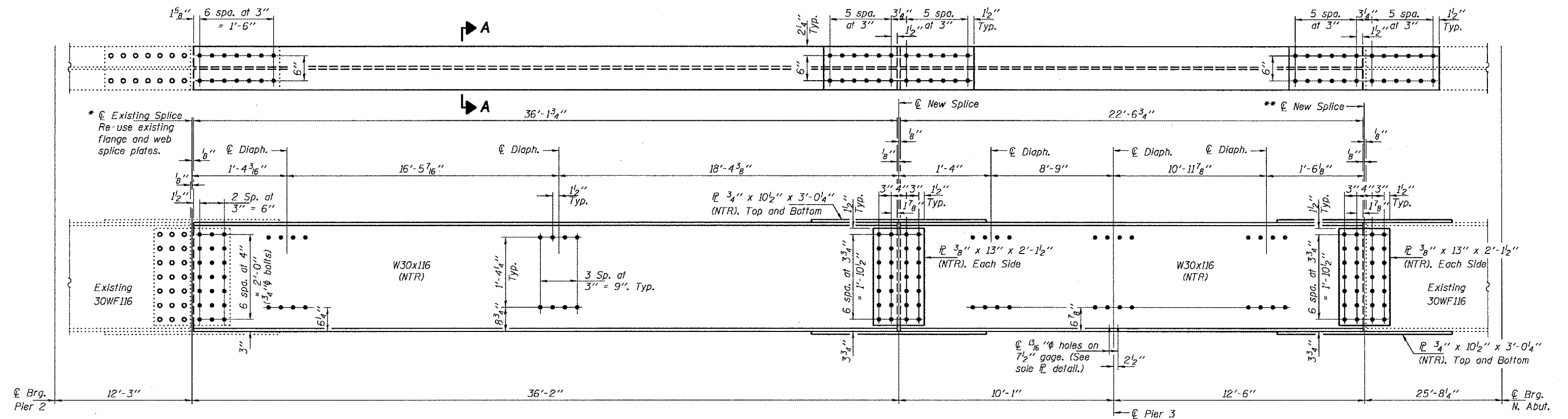
STATE OF ILLINOIS
DEPARTMENT OF TRANSPORTATION

ROUTE NO.	SECTION	COUNTY	TOTAL SHEETS	SHEET NO.
		COOK	9	8
FED. ROAD DIST. NO. 7		STATE AID PROJECT		

SHEET NO. 3

3 SHEETS

Contract No. 60B21



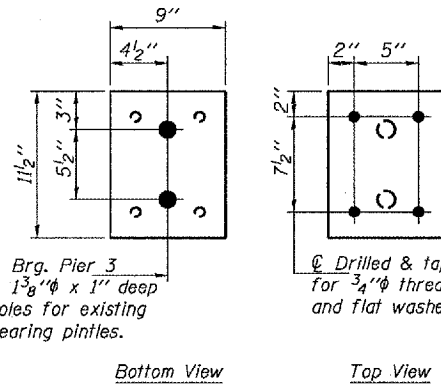
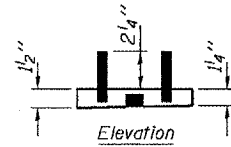
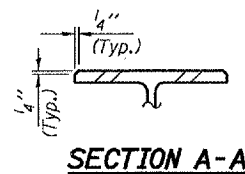
* @ Existing Splice
Re-use existing
flange and web
splice plates.

* Use holes in existing splice @
as template for drilling holes
in new beam section.

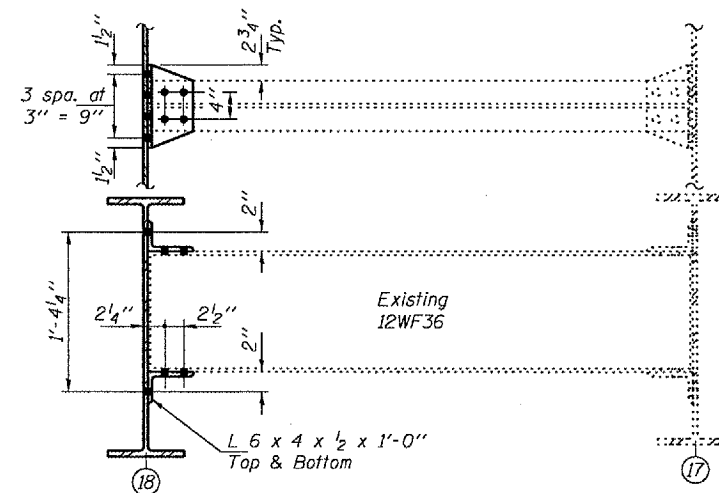
ELEVATION BEAM 18

(Dimensions are along @ Beam 18)

** Use holes in new splice @
as template for drilling holes
in existing beam section.



SOLE PLATE 1 1/2" x 9" x 1 1/2"



Note:
Natural camber of new beam shall be placed upward for fabrication.

DIAPHRAGM REPLACEMENT DETAIL

Use holes in existing diaphragm as
template for drilling holes in new angles.

DESIGNED	PSJ
CHECKED	SJB
DRAWN	baliva
CHECKED	PSJ SJB

JULY 17, 2006
EXAMINED *John A. Morris*
ENGINEER OF STRUCTURAL SERVICES
PASSED *Ralph E. Anderson*
ENGINEER OF BRIDGES AND STRUCTURES

STEEL REPAIR DETAILS
IL 43 OVER US12/20
COOK COUNTY
SN 016-0320