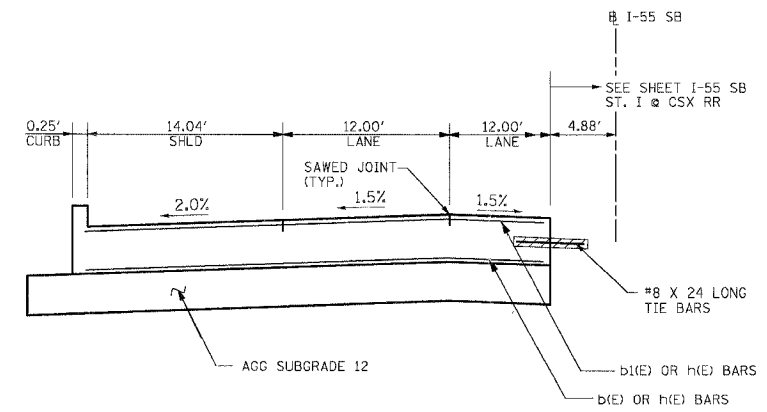
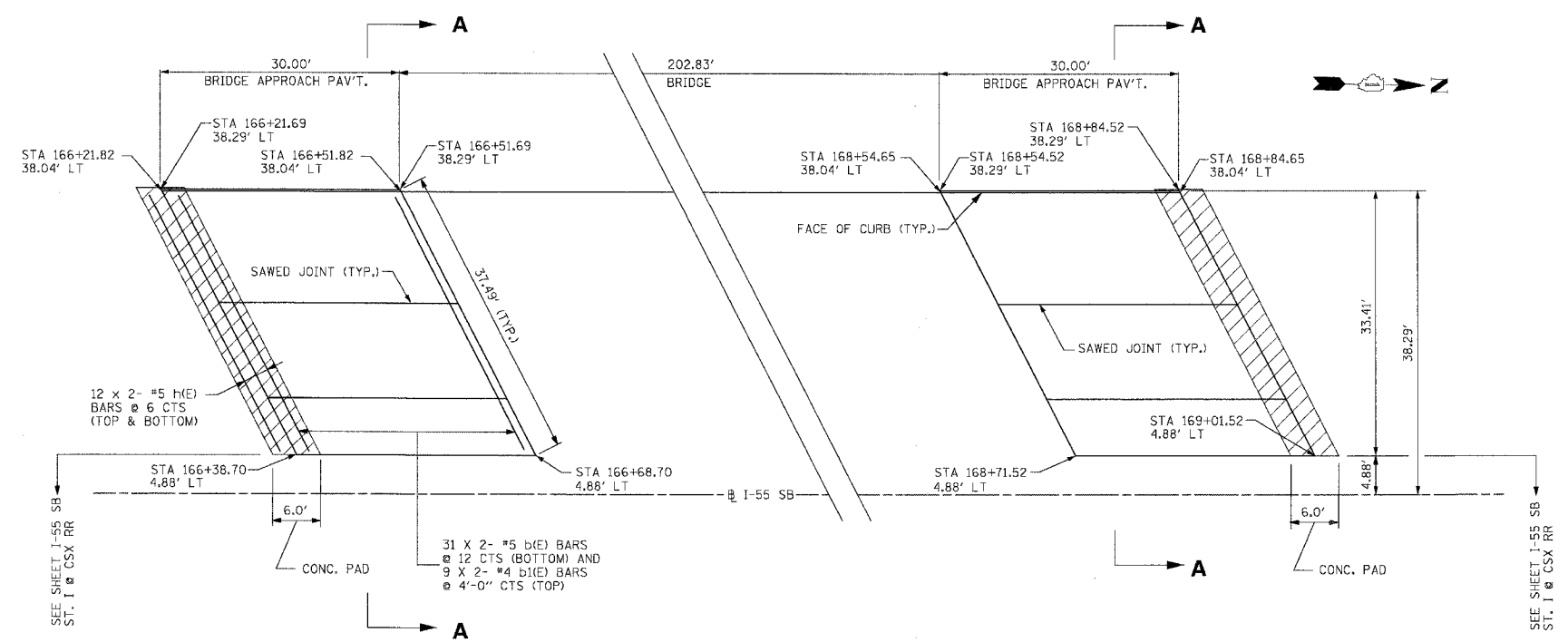


F.A.I. RTE.	SECTION	COUNTY	TOTAL SHEETS	SHEET NO.
55	2006-031 BY	WILL	137	25
STA.		TO STA.		
FED. ROAD DIST. NO.		ILLINOIS FED. AID PROJECT		



SECTION A-A: I-55 SB ST. II @ CSX RR



PLAN: I-55 SB ST. II @ CSX RR

BILL OF MATERIALS
I-55 SB SOUTH AT CSX RR

Bar	No.	Size #	Length (feet)	Shape
a (E)	68	9	29.75	U
a ₁ (E)	34	5	29.50	—
a ₂ (E)	34	4	6.76	—
a ₃ (E)	34	4	5.58	—
b (E)	31	5	37.30	—
b ₁ (E)	9	4	37.30	—
h (E)	24	5	37.30	—
d (E)	-	-	-	—
t (E)	-	-	-	—

Item	Unit	Total
* Concrete Structures	Cu Yd	46.8
* Reinforcement Bars, Epoxy Coated	Pound	10,569
* Preformed Joint Seal	Foot	37.5
* Polyethylene Bond Breaker	Sq Yd	25.0
* Concrete Pad	Sq Yd	25.0
* Bridge Approach Pavement	Sq Yd	111.4
* Tie Bars	Each	-
* Aggregate Subgrade 12"	Sq Yd	116.4

BILL OF MATERIALS
I-55 SB NORTH AT CSX RR

Bar	No.	Size #	Length (feet)	Shape
a (E)	68	9	29.75	U
a ₁ (E)	34	5	29.50	—
a ₂ (E)	34	4	6.76	—
a ₃ (E)	34	4	5.58	—
b (E)	31	5	37.30	—
b ₁ (E)	9	4	37.30	—
h (E)	24	5	37.30	—
d (E)	-	-	-	—
t (E)	-	-	-	—

Item	Unit	Total
* Concrete Structures	Cu Yd	46.8
* Reinforcement Bars, Epoxy Coated	Pound	10,569
* Preformed Joint Seal	Foot	37.5
* Polyethylene Bond Breaker	Sq Yd	25.0
* Concrete Pad	Sq Yd	25.0
* Bridge Approach Pavement	Sq Yd	111.4
* Tie Bars	Each	-
* Aggregate Subgrade 12"	Sq Yd	116.4

* ITEM INCLUDED IN THE COST OF BRIDGE APPROACH PAVEMENT.

NOTES:

- ALL DIMENSIONS ARE IN FEET (') UNLESS OTHERWISE NOTED.
- ALL REINFORCING BARS SHALL BE EPOXY COATED.
- DETAILING NOT SHOWN ON THIS SHEET SHALL CONFORM TO STATE STANDARD 420401 (BRIDGE APPROACH PAVEMENT).
- BARS INDICATED THUS: 31 x 2 - #5 INDICATES 31 LINES OF #5 BARS WITH 2 LENGTHS PER LINE.
- THE UNIT PRICE BID FOR BRIDGE APPROACH PAVEMENT SHALL INCLUDE TIE BARS, PREFORMED JOINT SEAL, POLYETHYLENE BOND BREAKER, AGGREGATE SUBGRADE, REINFORCEMENT BARS, THE CONCRETE PAD (INCLUDING REINFORCEMENT AND EXCAVATION), CONCRETE BARRIERS (INCLUDING ALL CONCRETE AND REINFORCEMENT), AND ALL OTHER ITEMS NECESSARY TO COMPLETE THIS ITEM OF WORK.

REVISIONS	
NAME	DATE

ILLINOIS DEPARTMENT OF TRANSPORTATION
FAI ROUTE 55 (OVER CSX RR AND SUNNYLAND DRAIN)
BRIDGE WIDENING

**ROADWAY DETAILS
BRIDGE APPROACH PAVEMENT
SB I-55 OVER CSX RR (STAGE II)**

SCALE: N.T.S. DRAWN BY: GJF
DATE: 07/07/06 CHECKED BY: DDH

TENG TENG & ASSOCIATES, INC.
ENGINEERS/ARCHITECTS/PLANNERS
CHICAGO, ILLINOIS

PLOT DATE = 07/07/06
 PLOT SCALE = AS SHOWN
 USER NAME = USER
 SANDOZ\PROJECTS\CIVIL\CONTRACTS\60B85\60B85.DWG
 7-06-2006 9:28:20
 GARCIAZ