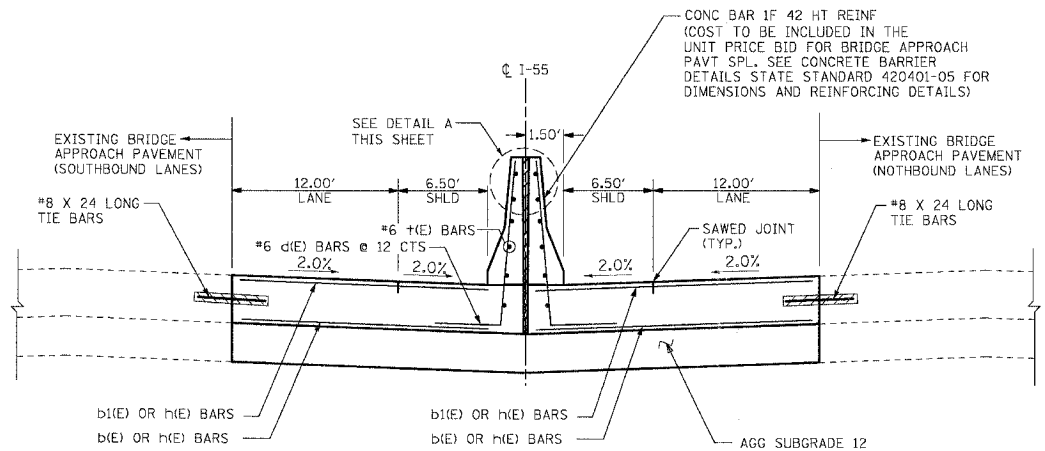
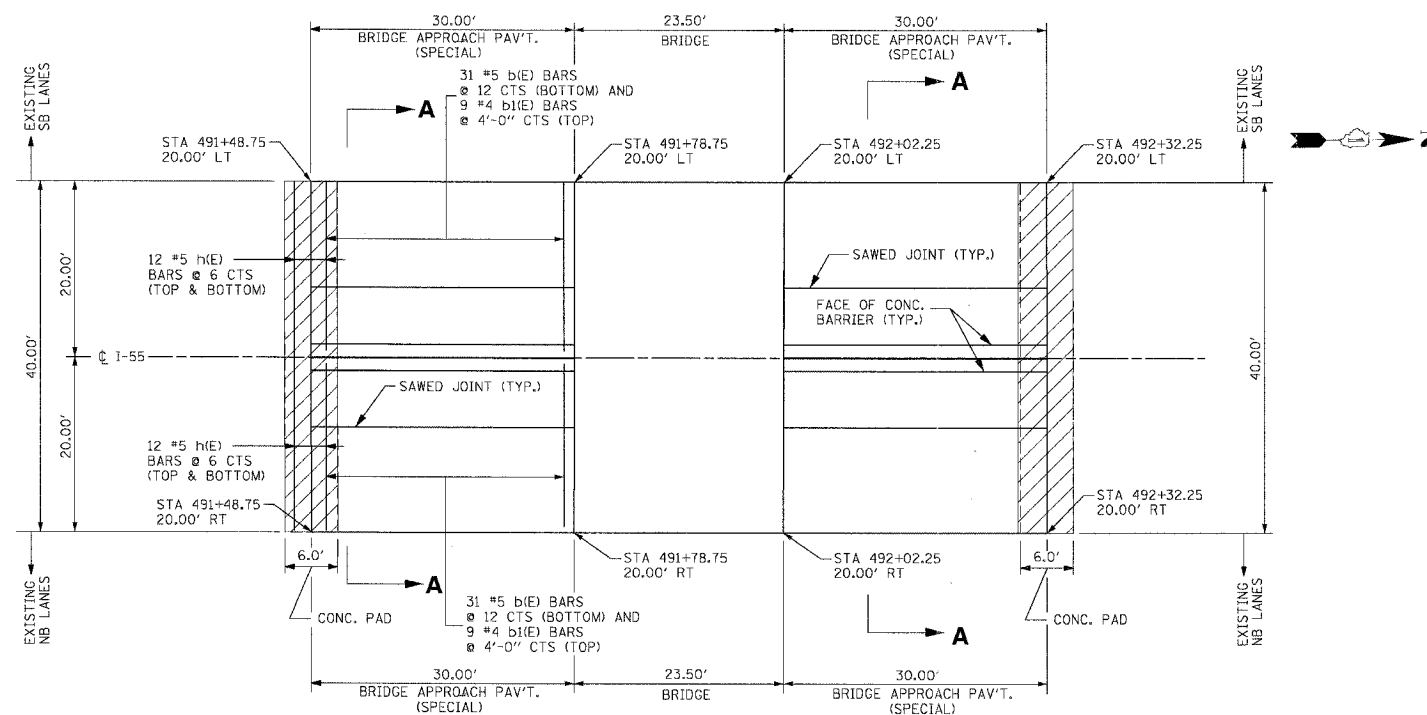


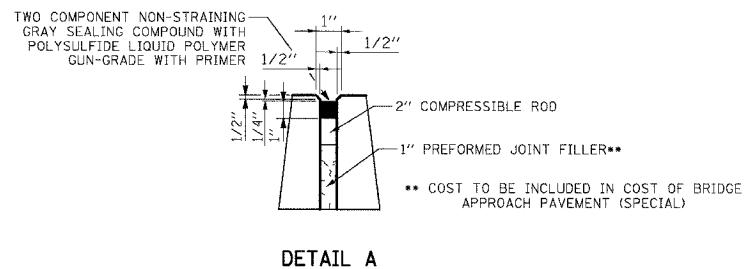
F.A.I. RTE.	SECTION	COUNTY	TOTAL SHEETS	SHEET NO.
55	2006-031	WILL	137	26
STA. TO STA.		FED. ROAD DIST. NO. ILLINOIS FED. AID PROJECT		



SECTION A-A: I-55 ML ST. I @ SANNYLAND DRAIN



PLAN: I-55 ML ST. I @ SANNYLAND DRAIN



DETAIL A

NOTES:

- ALL DIMENSIONS ARE IN FEET (') UNLESS OTHERWISE NOTED.
- ALL REINFORCING BARS SHALL BE EPOXY COATED.
- DETAILING NOT SHOWN ON THIS SHEET SHALL CONFORM TO STATE STANDARD 420401 (BRIDGE APPROACH PAVEMENT).
- THE UNIT PRICE BID FOR BRIDGE APPROACH PAVEMENT (SPECIAL) SHALL INCLUDE TIE BARS, PREFORMED JOINT SEAL, POLYETHYLENE BOND BREAKER, AGGREGATE SUBGRADE, REINFORCED BARS, THE CONCRETE PAD (INCLUDING REINFORCEMENT AND EXCAVATION), CONCRETE BARRIERS (INCLUDING ALL CONCRETE AND REINFORCEMENT), AND ALL OTHER ITEMS NECESSARY TO COMPLETE THIS ITEM OF WORK.

BILL OF MATERIALS  
I-55 ML SOUTH AT SANNYLAND DRAIN

Bar	No.	Size #	Length (feet)	Shape
a (E)	74	9	29.75	○
a <sub>1</sub> (E)	37	5	29.50	—
a <sub>2</sub> (E)	37	4	6.76	—
a <sub>3</sub> (E)	37	4	5.58	—
b (E)	62	5	19.83	—
b <sub>1</sub> (E)	18	4	19.83	—
h (E)	48	5	19.83	—
d (E)	62	6	5.94	—
t (E)	12	6	29.75	—

Item	Unit	Total
* Concrete Structures	Cu Yd	63.7
* Reinforcement Bars, Epoxy Coated	Pound	12,532
* Preformed Joint Seal	Foot	40.0
* Polyethylene Bond Breaker	Sq Yd	26.7
* Concrete Pad	Sq Yd	26.7
* Bridge Approach Pavement (Special)	Sq Yd	133.3
* Tie Bars	Each	32
* Aggregate Subgrade 12"	Sq Yd	133.3

BILL OF MATERIALS  
I-55 ML NORTH AT SANNYLAND DRAIN

Bar	No.	Size #	Length (feet)	Shape
a (E)	74	9	29.75	○
a <sub>1</sub> (E)	37	5	29.50	—
a <sub>2</sub> (E)	37	4	6.76	—
a <sub>3</sub> (E)	37	4	5.58	—
b (E)	62	5	19.83	—
b <sub>1</sub> (E)	18	4	19.83	—
h (E)	48	5	19.83	—
d (E)	62	6	5.94	—
t (E)	12	6	29.75	—

Item	Unit	Total
* Concrete Structures	Cu Yd	63.7
* Reinforcement Bars, Epoxy Coated	Pound	12,532
* Preformed Joint Seal	Foot	40.0
* Polyethylene Bond Breaker	Sq Yd	26.7
* Concrete Pad	Sq Yd	26.7
* Bridge Approach Pavement (Special)	Sq Yd	133.3
* Tie Bars	Each	32
* Aggregate Subgrade 12"	Sq Yd	133.3

\* ITEM INCLUDED IN THE COST OF BRIDGE APPROACH PAVEMENT (SPECIAL).

REVISIONS	
NAME	DATE

ILLINOIS DEPARTMENT OF TRANSPORTATION  
FAI ROUTE 55 (OVER CSX RR AND SUNNYLAND DRAIN)  
BRIDGE WIDENING

ROADWAY DETAILS  
BRIDGE APPROACH PAV'T (SPECIAL)  
I-55 OVER SUNNYLAND DRAIN (ST I)

SCALE: N.T.S. DRAWN BY: GJF  
DATE: 07/07/06 CHECKED BY: DDH

**TENG** TENG & ASSOCIATES, INC.  
ENGINEERS/ARCHITECTS/PLANNERS  
CHICAGO, ILLINOIS

PLOT DATE = 08/14/06  
 PLOT SCALE = AS SHOWN  
 USER NAME = USER  
 SAN\DOCUMENT\2006\60B85\01\CIVIL\JOB\RD26\A023.SHT  
 CARC\AAZ  
 7-05-2006 8:27:00