

F.A.I. RTE.	SECTION	COUNTY	TOTAL SHEETS	SHEET NO.
55	2006-031 BY	WILL	137	80
STA.		TO STA.		
FED. ROAD DIST. NO.		ILLINOIS	FED. AID PROJECT	

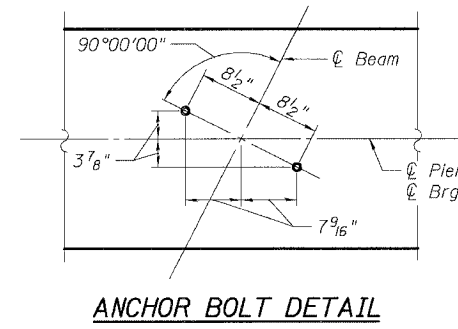
BAR LIST

Bar	Pier 1	Pier 2	Size	Length	Shape
d7(E)	108	104	#5	3'-0"	—
d8(E)	14	14	#6	3'-6"	—
h(E)	56	54	#5	19'-11"	—
p(E)	10	10	#6	19'-11"	—
p1(E)	10	10	#6	4'-5"	—
s2(E)	25	25	#5	9'-3"	□
u(E)	62	60	#4	7'-7"	□
v1(E)	56	---	#4	28'-10"	—
v4(E)	---	56	#4	28'-5"	—

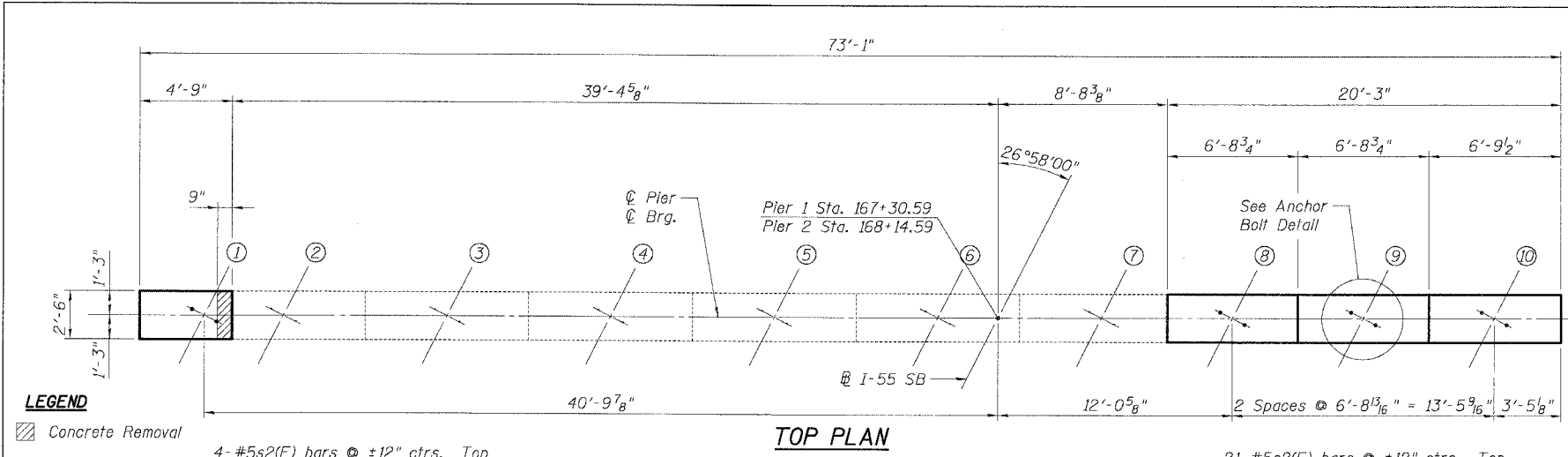
BILL OF MATERIAL

Item	Unit	Pier 1	Pier 2
Concrete Structures	Cu. Yd.	66.2	66.1
Reinforcement Bars, Epoxy Coated	Pound	3,570	3,490
Structure Excavation	Cu. Yd.	57	57
Concrete Removal	Cu. Yd.	0.2	0.2

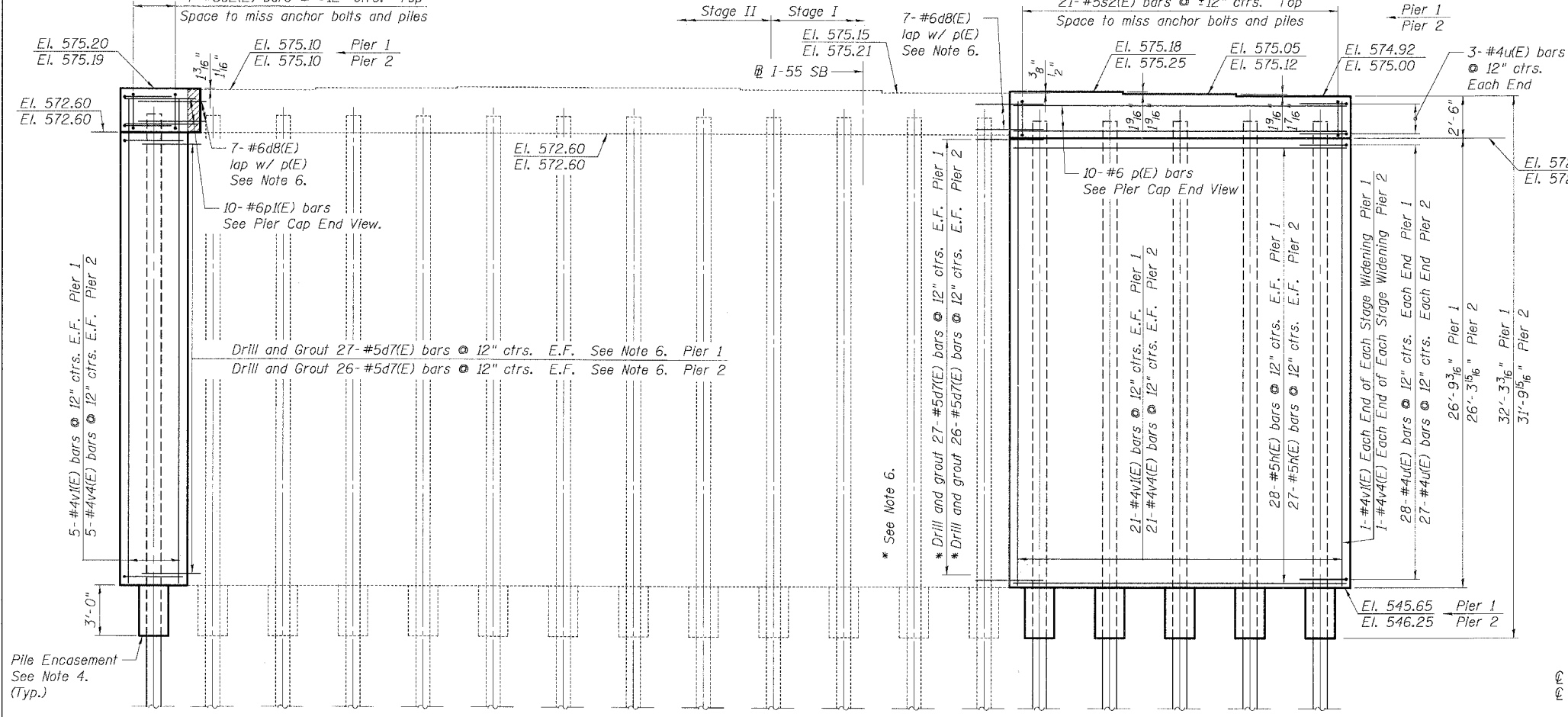
- Notes:**
1. Space reinforcement in cap to miss anchor bolts.
 2. Pour steps monolithically with cap.
 3. For anchor bolt details, see Sht. SA-13.
 4. For pile encasement detail, see Sht. SA-3.
 5. Reinforcement bars designated (E) shall be epoxy coated.
 6. Drill and epoxy grout d7(E) and d8(E) bars in 9" min. drilled holes according to Section 584 of the Standard Specifications. Method and grout are subject to the approval of the Engineer. Locate dowels to provide a minimum of 4" clear cover. Cost of drilling and grouting bars shall be included with Reinforcement Bars, Epoxy Coated.



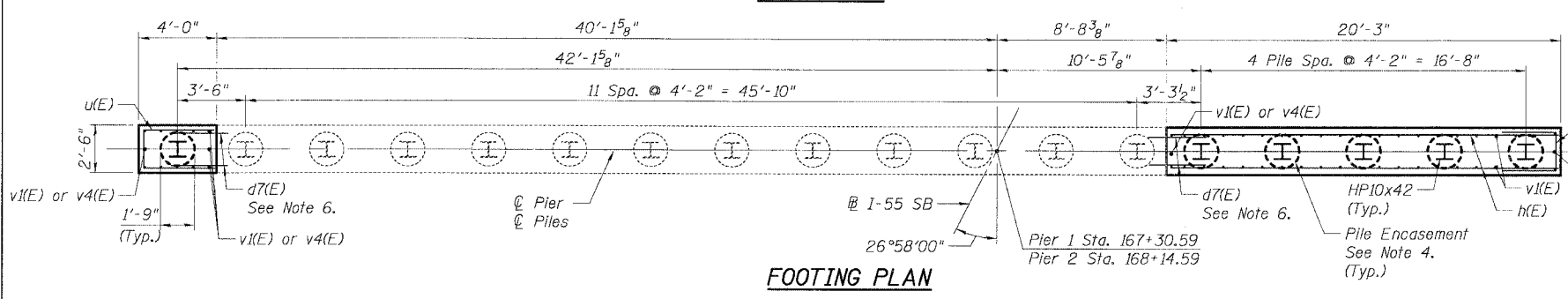
ANCHOR BOLT DETAIL



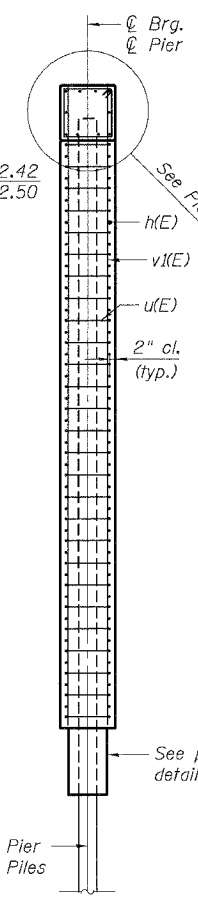
TOP PLAN



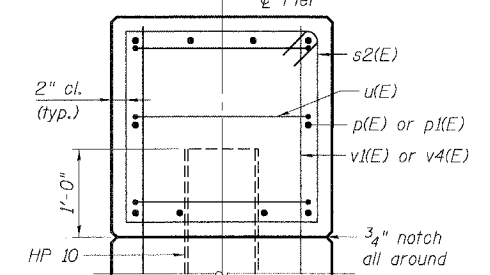
ELEVATION



FOOTING PLAN



END VIEW



PIER CAP END VIEW

PILE DATA - EACH PIER

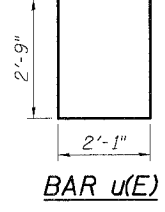
Type: Steel HP10x42 w/ Metal Pile Shoes
 Design Capacity: Driven to Refusal
 Required Bearing: -
 Number Required: 5+1 Test Pile
 Estimated Lengths:

	Stage I	Stage II
Pier 1	42.6'	40.7'
Pier 2	52.2'	46.1'

BAR s2(E)

SHT. SA-16 OF 21

REVISIONS	NAME	DATE



BAR u(E)

ILLINOIS DEPARTMENT OF TRANSPORTATION
 FAI ROUTE 55 (OVER CSX RR AND SUNNYLAND DRAIN)
 BRIDGE WIDENING
 SB I-55 OVER CSX RAILROAD, S.N. 099-0312
 STA. 167+72.58, SECTION 2006-031 BY
 WILL COUNTY

PIERS 1 & 2

SCALE: DATE 07/07/06
 DRAWN BY: MDB
 CHECKED BY: MJK
TENG
 TENG & ASSOCIATES, INC.
 ENGINEERS/ARCHITECTS/PLANNERS
 CHICAGO, ILLINOIS

PLOT DATE = 07/07/06
 FILE NAME = #TENG\PROJECTS\2006-031\STRUCT\DRAWING\PIERS1&2.DWG
 PLOT SCALE = 1/8"=1'-0"
 USER NAME = MJS
 7-85-2006-031-080-100