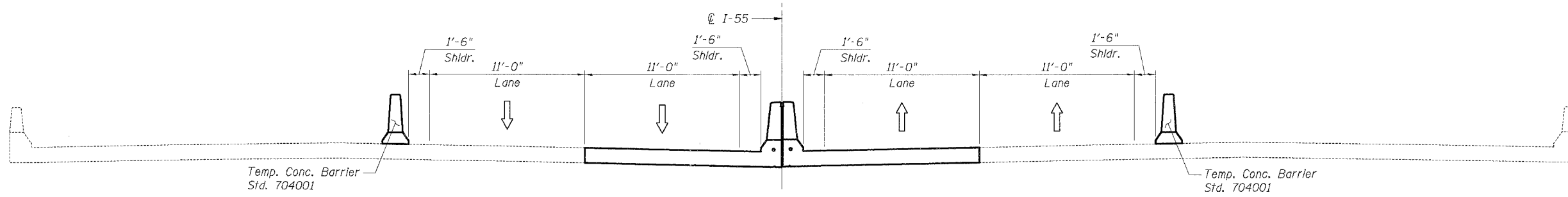
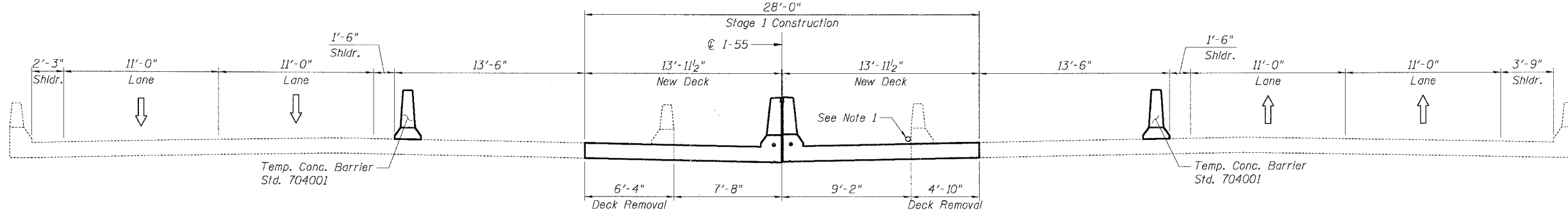
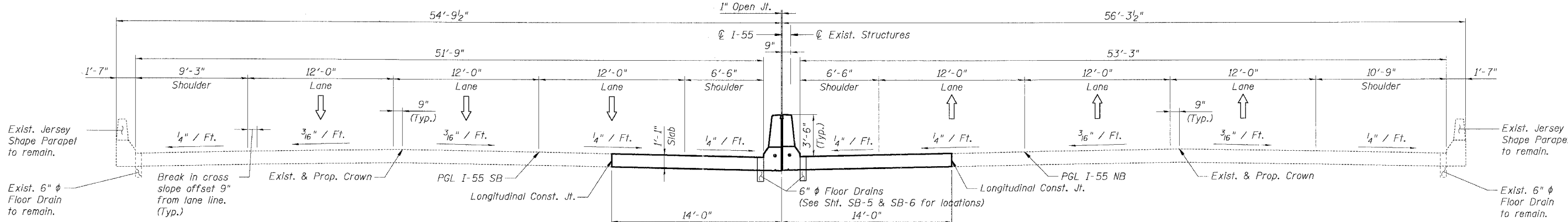


F.A.I. RTE.	SECTION	COUNTY	TOTAL SHEETS	SHEET NO.
55	2006-031 BY	WILL.	137	87
STA.		TO STA.		
FED. ROAD DIST. NO.		ILLINOIS	FED. AID PROJECT	



INDEX OF SHEETS

- SB-1 GENERAL PLAN & ELEVATION, GENERAL NOTES, TOTAL BILL OF MATERIAL
- SB-2 CONSTRUCTION STAGING, INDEX OF SHEETS
- SB-3 TEMPORARY WALL BRACING, BACKWALL DRAINAGE DETAILS, PROFILE GRADE LINE
- SB-4 SUBSTRUCTURE LAYOUT, COFFERDAM CONFIGURATION, TEMPORARY SOIL RETENTION
- SB-5 SOUTHBOUND DECK
- SB-6 NORTHBOUND DECK, DEAD LOAD DEFLECTION DIAGRAM
- SB-7 PARAPET DETAILS 1
- SB-8 PARAPET DETAILS 2
- SB-9 SUBSTRUCTURE REMOVAL & REPAIR
- SB-10 ABUTMENT PLANS & ELEVATION
- SB-11 ABUTMENT SECTIONS
- SB-12 TEMPORARY CONCRETE BARRIER
- SB-13 BORING LOGS

Notes:

1. Relocate existing conduit and appertenances in accordance with Standard Specification Article 109.04. Conduit shall not be cast in slab.

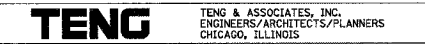
SHT. SB-2 OF 13

REVISIONS	
NAME	DATE

ILLINOIS DEPARTMENT OF TRANSPORTATION
 I-55 OVER CSX RR AND SUNNYLAND DRAIN
 BRIDGE WIDENING
 NB & SB I-55 OVER SUNNYLAND DRAIN, S.N. 099-0014 & 099-0015
 STA. 491+90.44, SECTION 2006-031 BY
 WILL COUNTY

CONSTRUCTION STAGING INDEX OF SHEETS

SCALE: DATE 07/07/06 DRAWN BY MDB CHECKED BY MJK



PLOT DATE = 07/07/06
 PLOT SCALE = 1/8" = 1'-0"
 USER NAME = MUSER