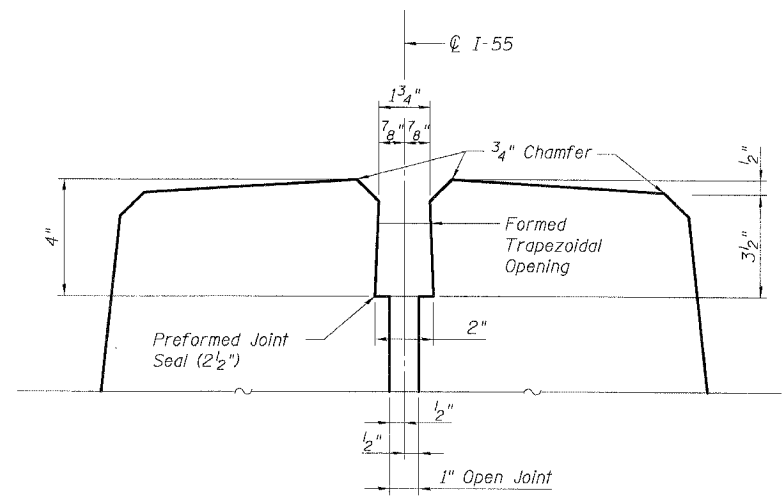
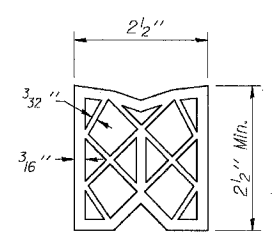


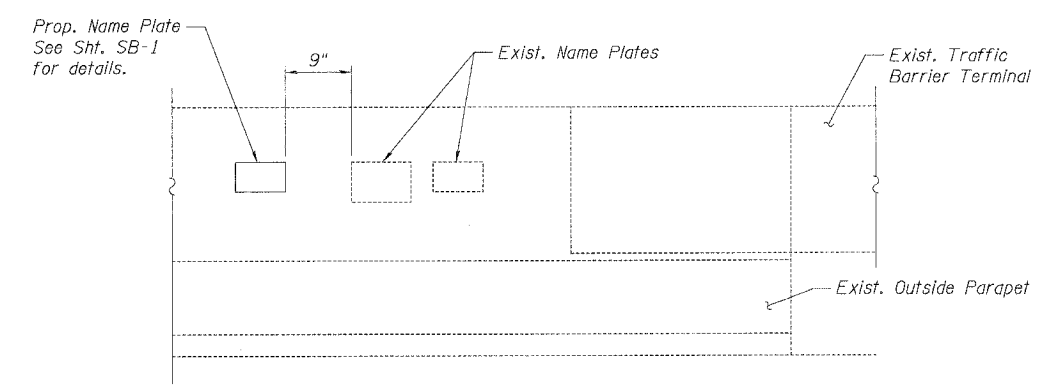
F.A.I. RTE.	SECTION	COUNTY	TOTAL SHEETS	SHEET NO.
55	2006-031 BY	WILL	137	93
STA.		TO STA.		
FED. ROAD DIST. NO.	ILLINOIS	FED. AID PROJECT		



**2 1/2" PJS DETAIL**



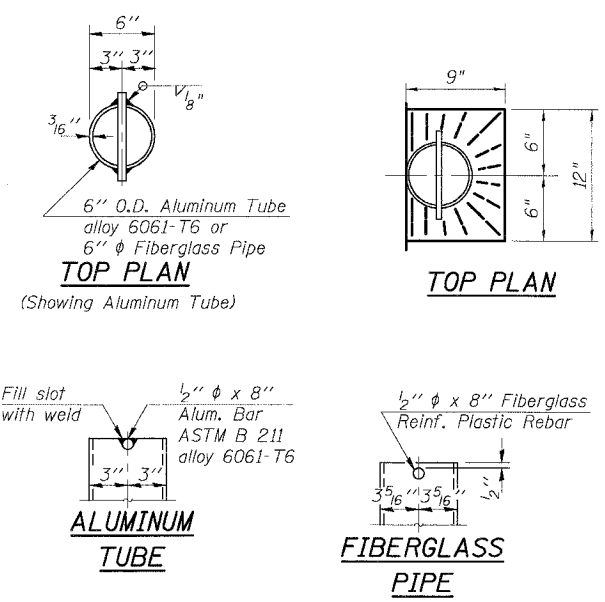
**PREFORMED JOINT SEAL (2 1/2")**



**NAME PLATE LOCATION**

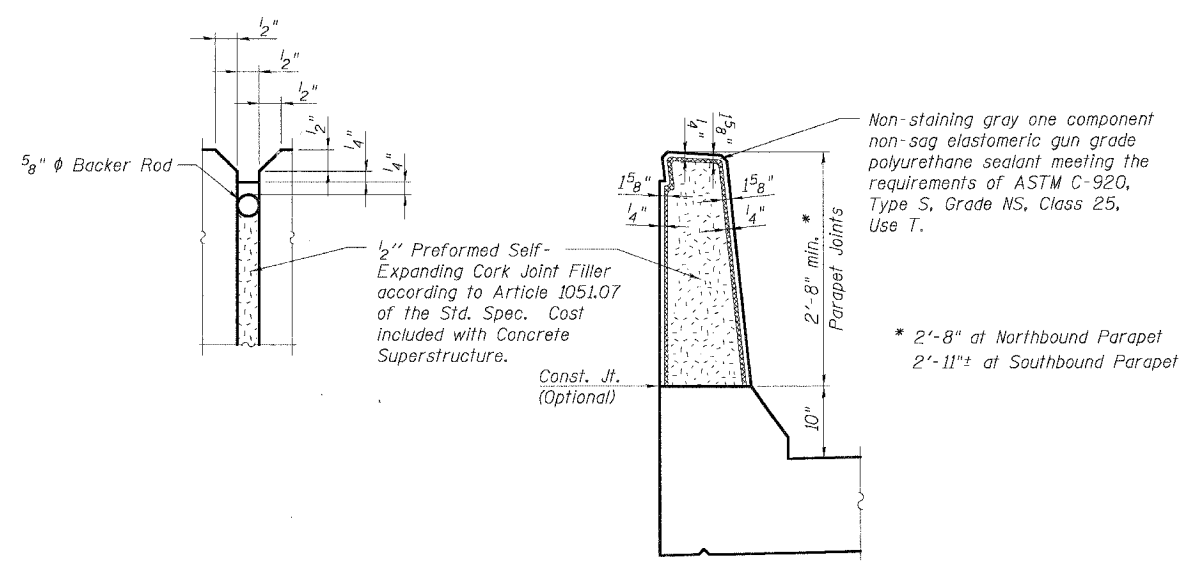
(at S.N. 099-0014 & S.N. 099-0015)

New name plates shall be located next to existing name plates. Name plates shall be attached to existing concrete using concrete anchors and set in a bed of epoxy. Concrete anchors and epoxy shall be subject to approval of the Engineer. Cost included with Name Plate.



**6"  $\phi$  FLOOR DRAIN**

Notes:  
The exterior surfaces of the floor drains shall be coated or pigmented by the manufacturer with a color that matches the concrete.  
Fiberglass pipe shall conform to ASTM D 2996, with short-time rupture strength hoop tensile stress of 30,000 p.s.i. minimum.



**PARAPET JOINT DETAILS**

Non-staining gray one component non-sag elastomeric gun grade polyurethane sealant meeting the requirements of ASTM C-920, Type S, Grade NS, Class 25. Use T.

\* 2'-8" at Northbound Parapet  
2'-11"± at Southbound Parapet

- Notes:**
1. Work this sheet with Sht. SB-5 thru SB-7.

SHT. SB-8 OF 13

REVISIONS	
NAME	DATE

ILLINOIS DEPARTMENT OF TRANSPORTATION  
FAI ROUTE 55 (OVER CSX RR AND SUNNYLAND DRAIN)  
BRIDGE WIDENING  
NB & SB I-55 OVER SUNNYLAND DRAIN, S.N. 099-0014 & 099-0015  
STA. 491+90.44, SECTION 2006-031 BY  
WILL COUNTY

**PARAPET DETAILS 2**

SCALE: DRAWN BY MDB  
DATE 07/07/06 CHECKED BY MJK  
**TENG** TENG & ASSOCIATES, INC.  
ENGINEERS/ARCHITECTS/PLANNERS  
CHICAGO, ILLINOIS

GARCIAZ SAN DOCUMENT 0231081\STRUCT\DRN\DWG\60B85\93.SHT  
 7-05-2006, 8:34:46  
 PLOT DATE = 07/07/06  
 PLOT SCALE = AS CALLED  
 USER NAME = MJB