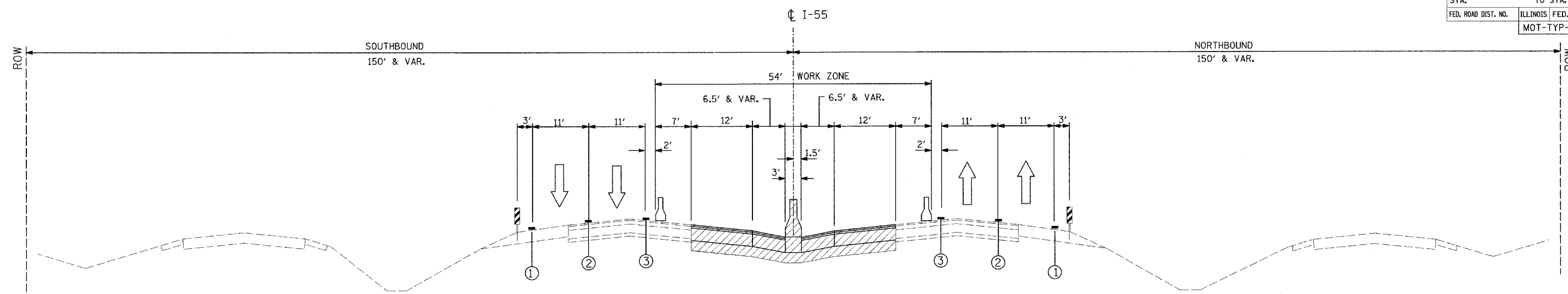


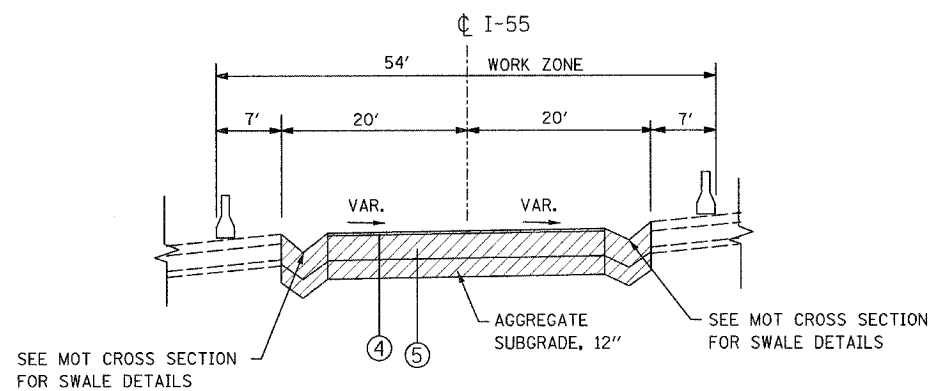
F.A.P. RTE.	SECTION	COUNTY	TOTAL SHEETS	SHEET NO.
55	2006-032 BY	WILL	505	105
STA.	TO STA.			
FED. ROAD DIST. NO.	ILLINOIS	FED. AID PROJECT		
	MOT-TYP-04	OF	05	



CONSTRUCTION TYPICAL SECTION STAGE I

LEGEND

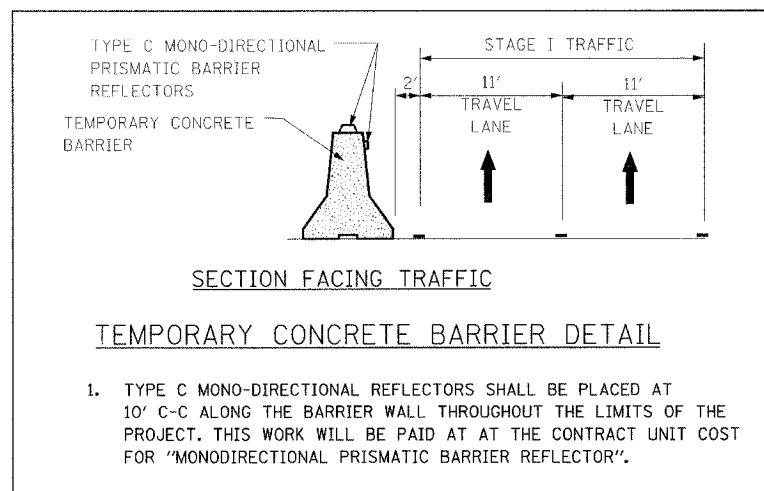
- ① PVMT MARKING TAPE, TYPE III 4" (WHITE)
- ② PVMT MARKING TAPE, TYPE III 5" SKIP-DASH (30FT/10FT)
- ③ PVMT MARKING TAPE, TYPE III 4" (YELLOW)
- ④ BITUMINOUS CONCRETE SURFACE COURSE, SUPERPAVE, MIX "D", N90, 1 3/4"
- ⑤ BITUMINOUS BASE COURSE, SUPERPAVE, N90, 10 1/4"
- ⑥ EXISTING AGGREGATE SHOULDER
- ⑦ AGGREGATE SHOULDER, TYPE B
- VERTICAL PANELS OR VERTICAL BARRICADES AT 100' IN CURVES AND 200' IN TANGENTS
- DRUMS W/ STEADY BURN LIGHTS AT 50' C-C IN TAPERS AND 100' C-C IN TANGENTS
- WORK ZONE
- TRAFFIC FLOW ARROW
- TEMPORARY CONCRETE BARRIER



CONSTRUCTION TYPICAL SECTION STAGE I & II

STA. 762+94 TO STA. 782+06 STAGE I  
 STA. 761+75 TO STA. 782+25 STAGE II  
 SEE MOT CROSS SECTIONS FOR DETAILS  
 (TEMPORARY PAVEMENT CONSTRUCTION NEAR LILY CACHE SLOUGH)

NOTE:  
 DRUMS SHALL BE PLACED AT 100 FT INTERVALS ALONG THE INSIDE AND OUTSIDE LANES BETWEEN CONSTRUCTION SEGMENTS, OR AS DIRECTED BY THE ENGINEER.



SECTION FACING TRAFFIC  
 TEMPORARY CONCRETE BARRIER DETAIL

1. TYPE C MONO-DIRECTIONAL REFLECTORS SHALL BE PLACED AT 10' C-C ALONG THE BARRIER WALL THROUGHOUT THE LIMITS OF THE PROJECT. THIS WORK WILL BE PAID AT AT THE CONTRACT UNIT COST FOR "MONODIRECTIONAL PRISMATIC BARRIER REFLECTOR".

STAGE I

REVISIONS	
NAME	DATE
D. MELNIK	08/01/06

ILLINOIS DEPARTMENT OF TRANSPORTATION  
 FAI ROUTE 55  
 US 30 (PLAINFIELD ROAD) TO LILY CACHE SLOUGH  
 SUGGESTED STAGES OF  
 CONSTRUCTION AND TRAFFIC  
 CONTROL GENERAL NOTES

SCALE: NONE  
 DATE: 06-30-06

DRAWN BY: DM  
 CHECKED BY: DVS



FINAL