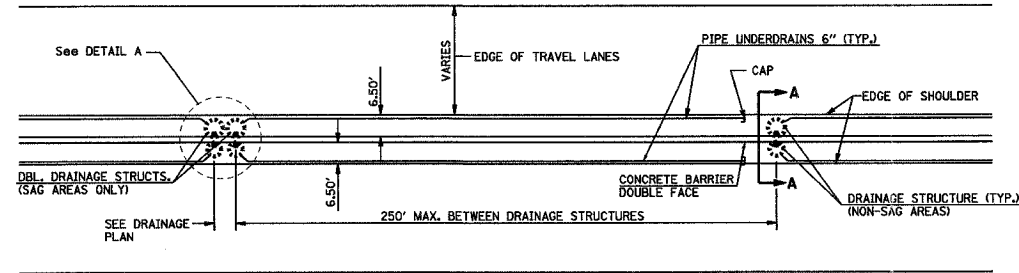
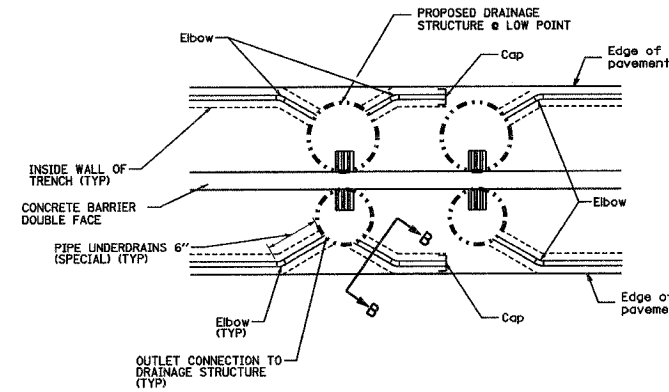


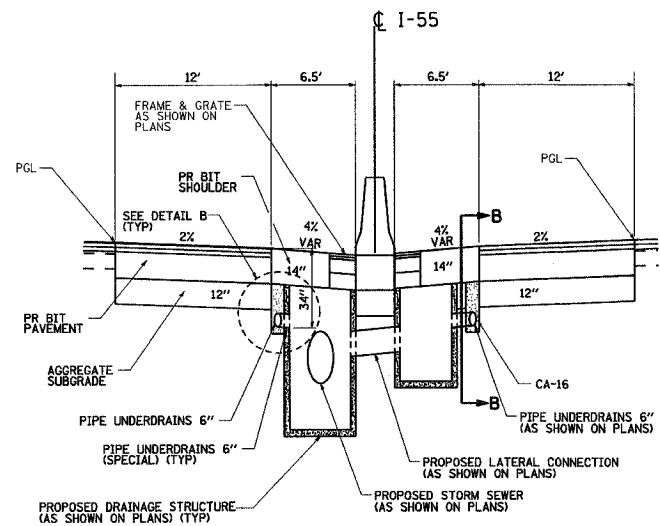
F.A.P. RTE.	SECTION	COUNTY	TOTAL SHEETS	SHEET NO.
55	2006-032 BY	WILL	505	190
STA.		TO STA.		
FED. ROAD DIST. NO.	ILLINOIS	FED. AID PROJECT		
DRUDT 3 OF 3				



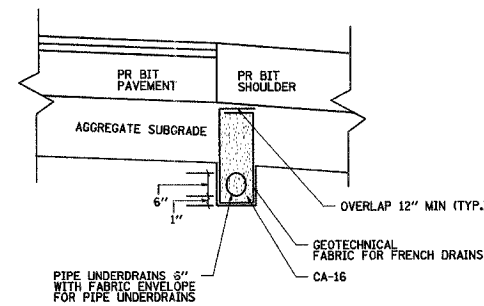
PROPOSED PLAN



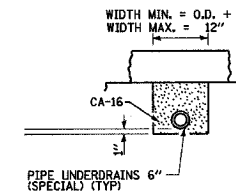
DETAIL A



SECTION A-A



DETAIL B



SECTION B-B

GENERAL NOTES

THE 24" RADIUS ON THE DRAINAGE FITTING IS ONLY A MINIMUM. LARGER RADII MEETING THE APPROVAL OF THE ENGINEER MAYBE SUBSTITUED.

NOTES

- SEE STANDARD 601001 FOR DETAILS NOT SHOWN.
- THE COST OF GEOTECHNICAL FABRIC FOR FRENCH DRAINS, FABRIC ENVELOPE FOR PIPE UNDERDRAINS, CA-16 AGGREGATE FOR BEDDING AND TRENCH BACKFILL AND OUTLET CONNECTION TO DRAINAGE STRUCTURES WILL NOT BE PAID SEPERATELY, BUT SHALL BE INCLUDED IN THE CONTRACT UNIT PRICE FOR PIPE UNDERDRAINS 6".

**PB PARSONS BRINCKERHOFF**  
 1922

**SMITH ENGINEERING CONSULTANTS, INC.**  
 www.smithengineering.com

REVISIONS	
NAME	DATE

ILLINOIS DEPARTMENT OF TRANSPORTATION  
 FAI ROUTE 55  
 US 30 (PLAINFIELD ROAD) TO LILY CACHE SLOUGH  
**DRAINAGE DETAILS**  
**PIPE UNDERDRAIN**

SCALE: N.T.S.      DRAWN BY: MRK  
 DATE: 07/21/2006      CHECKED BY: TL

FINAL