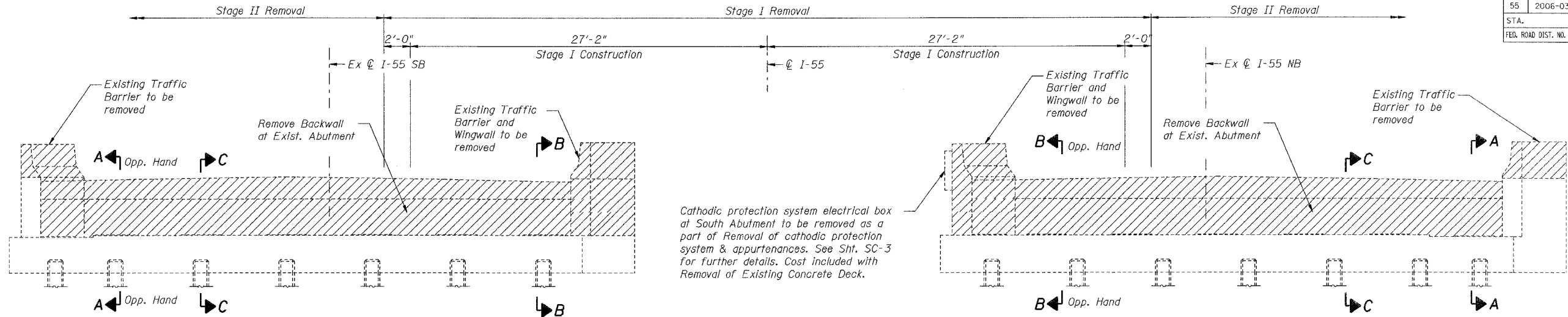
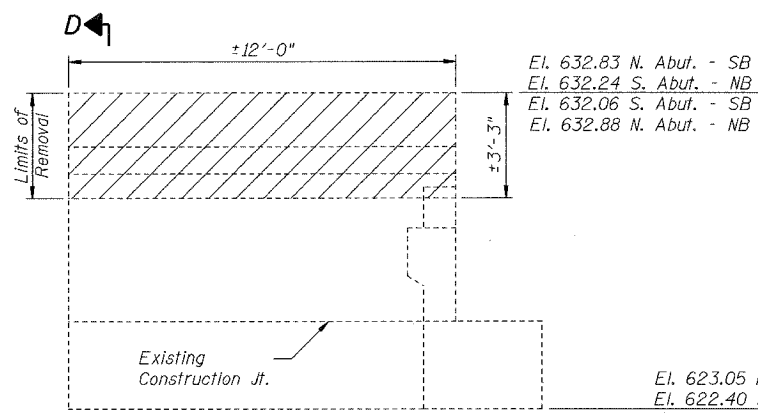


F.A.I. RTE.	SECTION	COUNTY	TOTAL SHEETS	SHEET NO.
55	2006-032 BY	WILL	505	264
STA.		TO STA.		
FED. ROAD DIST. NO.		ILLINOIS FED. AID PROJECT		

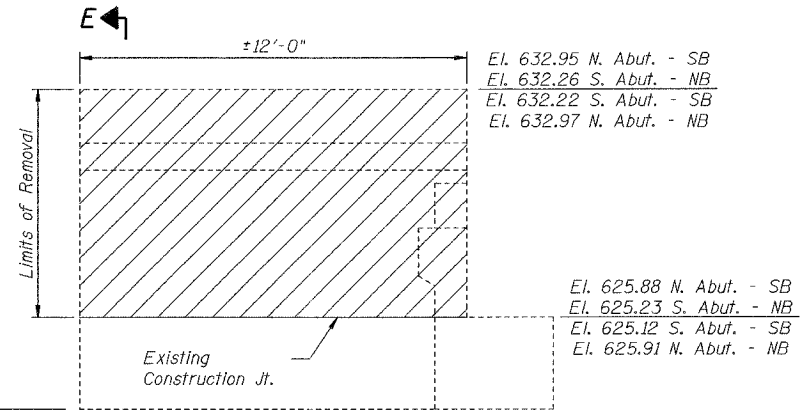


**ABUTMENT ELEVATION - TYPICAL**

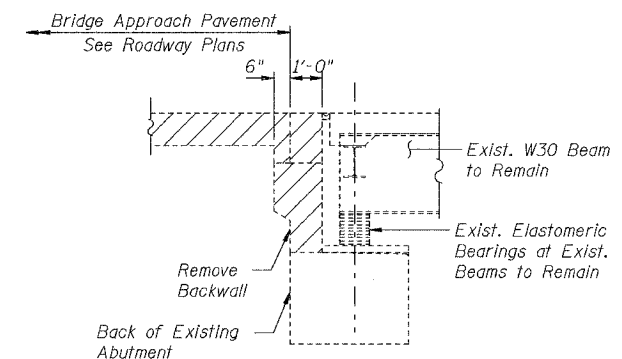
(N. Abut - Looking North)  
(S. Abut. Similar)  
(Dimensions along front face of Back Wall)



**ELEVATION A-A  
OUTSIDE WINGWALL**



**ELEVATION B-B  
INSIDE WINGWALL**



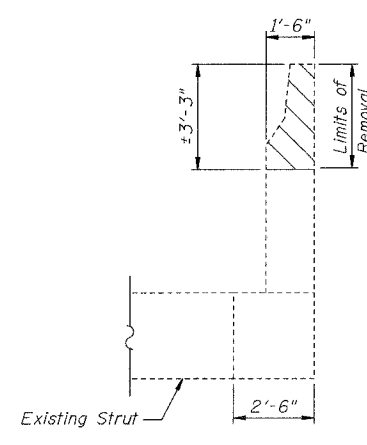
**SECTION C-C**

**BILL OF MATERIAL**

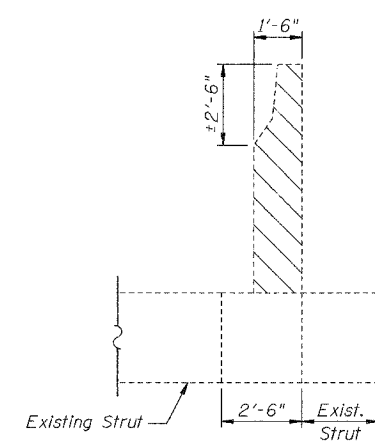
Item	Unit	Total
Concrete Removal	Cu. Yd.	54.4

**LEGEND:**

Concrete Removal



**SECTION D-D**



**SECTION E-E**

**SHT. SC-5 OF 38**

REVISIONS	
NAME	DATE

ILLINOIS DEPARTMENT OF TRANSPORTATION  
FAI ROUTE 55  
US 30 (PLAINFIELD ROAD) TO LILY CACHE SLOUGH  
SB & NB I-55 OVER US RTE. 30, S.N. 099-0016 & 099-0017  
STA. 587+80.82, SECTION 2006-032 BY  
WILL COUNTY

**EXISTING STRUCTURE REMOVAL**

SCALE: DATE 07/05/06 DRAWN BY PA CHECKED BY MJK

**MORCOM, N.V., INC.**  
CONSULTING ENGINEERS  
CHICAGO, ILLINOIS

**TENG** & ASSOCIATES, INC.  
ENGINEERS/ARCHITECTS/PLANNERS  
CHICAGO, ILLINOIS

PLOT DATE = 07/05/06  
 FILE NAME = #FILE#  
 PLOT SCALE = #SCALE#  
 USER NAME = #USER#  
 \\SVP\HARDWARE\...  
 6-28-2006 15:53:06