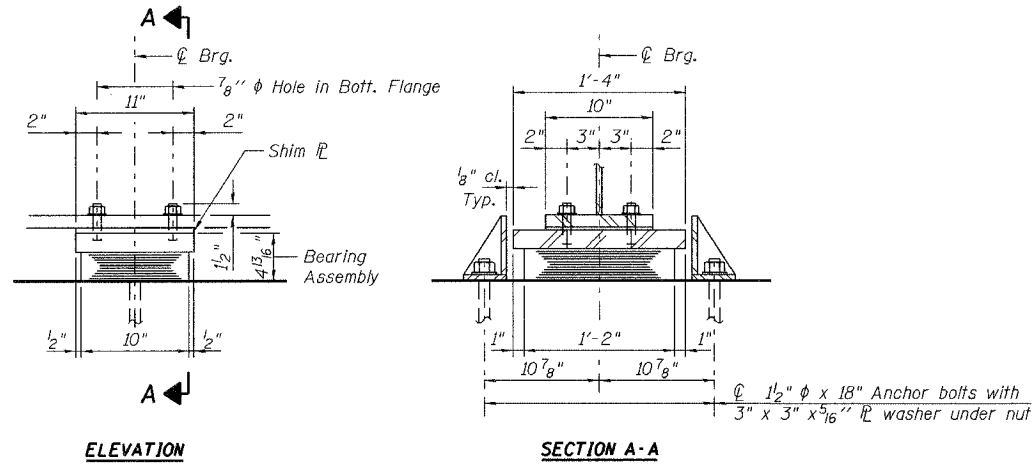
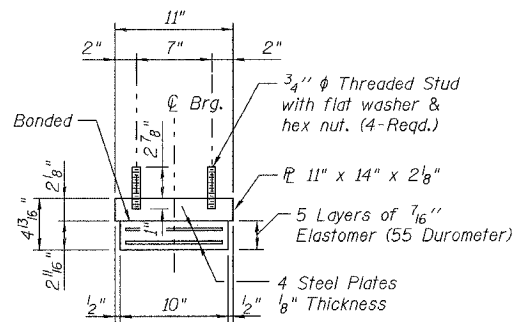


F.A.I. RTE.	SECTION	COUNTY	TOTAL SHEETS	SHEET NO.
55	2006-032 BY	WILL	505	281
STA.		TO STA.		
FED. ROAD DIST. NO.		ILLINOIS FED. AID PROJECT		



ELEVATION

SECTION A-A

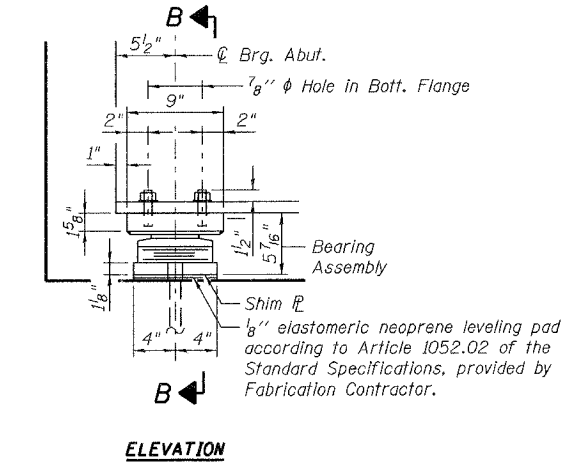


BEARING ASSEMBLY

Note: Shim plates shall not be placed under Bearing Assembly.

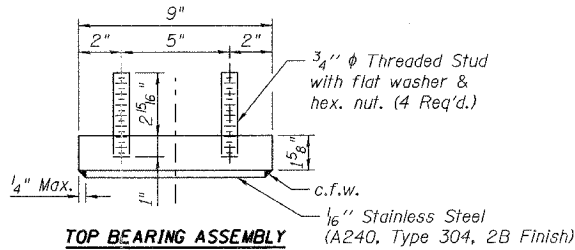
TYPE I ELASTOMERIC EXP. BRG. AT PIERS 1 & 3

(8 Thus)

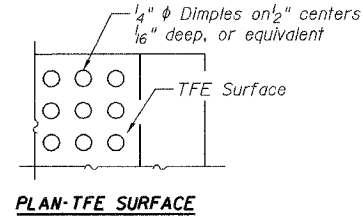


ELEVATION

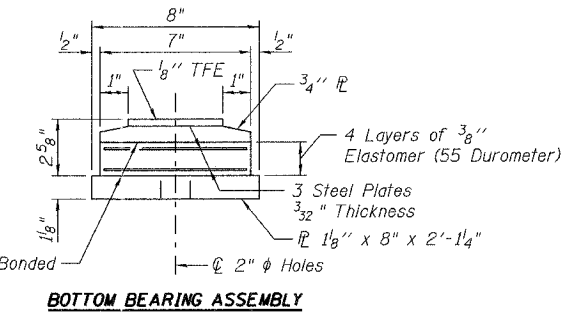
SECTION B-B



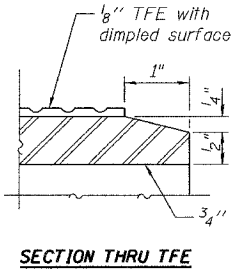
TOP BEARING ASSEMBLY



PLAN-TFE SURFACE



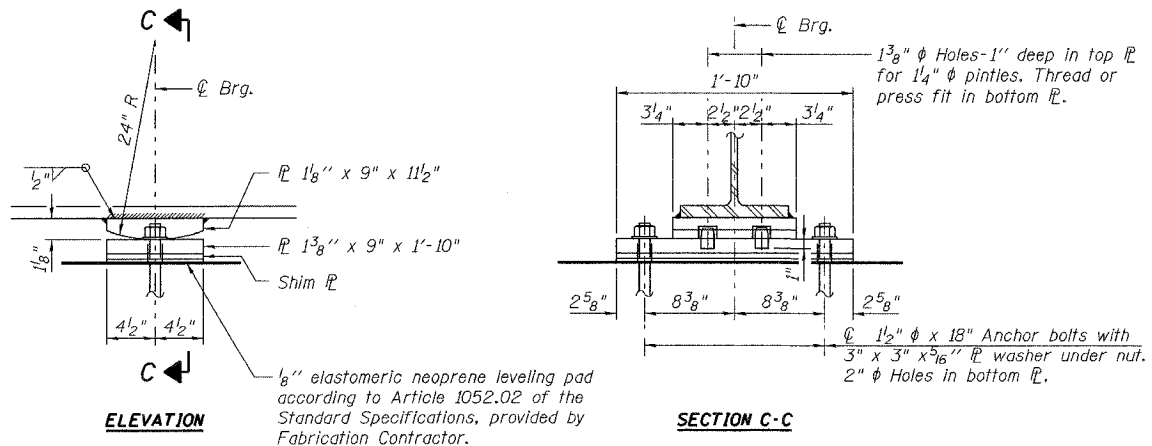
BOTTOM BEARING ASSEMBLY



SECTION THRU TFE

Note: The 1/8" TFE sheet shall be bonded directly to the top steel plate with a two-component, medium viscosity epoxy resin, conforming to the requirements of the Federal Specification MMM-A-134, Type I. The bond agent shall be applied on the full area of the contact surfaces.

Bonding of 1/8" TFE sheet during vulcanizing process will be permitted provided the process and method of adjusting assembly height is approved by the Engineer.

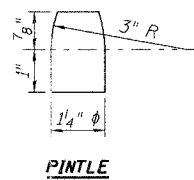


ELEVATION

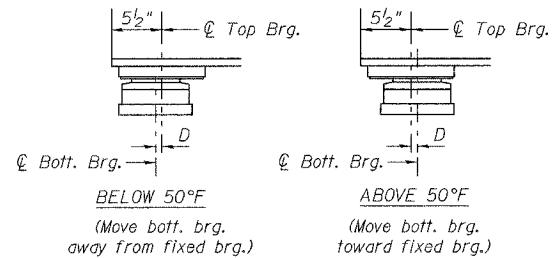
SECTION C-C

FIXED BEARING AT PIER 2

(4 Thus)



PINTLE

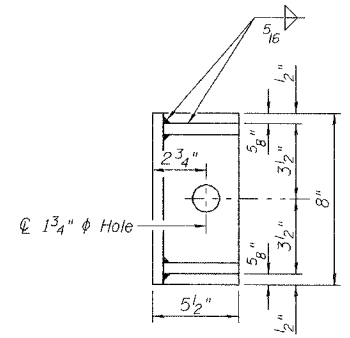


SETTING ANCHOR BOLTS AT EXP. BRG.

D = 1/8" per each 100' of expansion for every 15° temp. change from the normal temp. of 50°F.

TYPE II ELASTOMERIC EXP. BRG. AT S. & N. ABUT.

(8 Thus)



SIDE RETAINER

Equivalent rolled angle with stiffeners will be allowed in lieu of welded plates. Weight included with Structural Steel.

BILL OF MATERIAL

Item	Unit	Total
Erecting Elastomeric Bearing Assembly, Type I	Each	8
Erecting Elastomeric Bearing Assembly, Type II	Each	8
Furnishing and Erecting Structural Steel	Pound	340

Notes:

- Anchor bolts shall be furnished and installed under the pay item Furnishing and Erecting Structural Steel.
- All steel bearing plates shall conform to the requirements of AASHTO M270 Grade 50, unless otherwise noted.
- Fixed bearing assemblies including pintles, shim plates, adjusting shims, and elastomeric neoprene leveling pads will be furnished by the Fabrication Contractor.
- Adjusting shim plates shall be placed as required during erection, see General Notes on Sht. SC-2.
- Anchor bolts at fixed bearings may be built into the masonry.
- See Sht. SC-20 for Bearing Seat elevations.
- See Sht. SC-23 for Anchor Bolt installation.

SHT. SC-22 OF 38

REVISIONS	
NAME	DATE

ILLINOIS DEPARTMENT OF TRANSPORTATION
 FAI ROUTE 55
 US 30 (PLAINFIELD ROAD) TO LILY CACHE SLOUGH
 SB & NB I-55 OVER US RTE. 30, S.N. 099-0016 & 099-0017
 STA. 587+80.82, SECTION 2006-032 BY
 WILL COUNTY

BEARING DETAILS

SCALE: DATE: 07/05/06
 DRAWN BY: PA
 CHECKED BY: MJK

TENG

TENG & ASSOCIATES, INC.
 ENGINEERS/ARCHITECTS/PLANNERS
 CHICAGO, ILLINOIS

MORCOM, N.V., INC.
 CONSULTING ENGINEERS
 CHICAGO, ILLINOIS