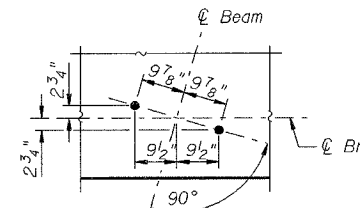


F.A.I. SECTION COUNTY TOTAL SHEET SHEETS NO.	55 2006-032 BY WILL 505 285
STA. TO STA.	
FED. ROAD DIST. NO. ILLINOIS FED. AID PROJECT	

**BAR LIST - EACH**

(N. Abut. NB)  
(S. Abut. SB)

Bar	No.	Size	Length	Shape
d(E)	6	#6	3'-7"	
h(E)	4	#5	26'-10"	
h1(E)	2	#5	13'-3"	
h2(E)	6	#5	27'-11"	
h3(E)	4	#6	27'-11"	
h4(E)	4	#6	26'-10"	
h5(E)	5	#4	11'-9"	
h6(E)	1	#4	12'-3"	
p(E)	8	#7	13'-3"	
p1(E)	4	#5	13'-3"	
s(E)	16	#6	14'-4"	
u(E)	3	#6	7'-6"	
v(E)	64	#5	2'-3"	
v1(E)	64	#6	4'-0"	
v2(E)	16	#6	3'-10"	
v3(E)	16	#6	4'-5"	
v4(E)	48	#6	3'-8"	
v5(E)	48	#6	3'-2"	
v6(E)	112	#6	2'-2"	
v7(E)	13	#6	4'-8"	
v8(E)	13	#6	4'-10"	



**ANCHOR BOLT  
INSTALLATION DETAIL**

**Bearing Seat Elevation**

Beams	S. Abut-SB	N. Abut-NB
W.2	626.052	-
W.1	625.938	-
E.1	-	626.639
E.2	-	626.774

**PILE DATA**  
(N. Abut.)

Type: Steel HP12x53  
w/ Metal Shoes  
Driven to Refusal  
Design Capacity:  
Required Bearing:  
Estimated Length: 47.3 ft N. Abut  
Number Required: 3 + 1 Test Pile

**PILE DATA**  
(S. Abut.)

Type: Steel HP12x53  
w/ Metal Shoes  
Driven to Refusal  
Design Capacity:  
Required Bearing:  
Estimated Length: 44.6 ft S. Abut.  
Number Required: 3 + 1 Test Pile

**Notes:**

1. Work this sheet with Sht. SC-6 and SC-27.
2. Space reinforcement in cap to miss anchor bolts.
3. Pour steps monolithically with cap.
4. For anchor bolt details, see Sht. SC-23.
5. Reinforcement bars designated (E) shall be epoxy coated.
6. E.F. = Each Face, I.F. = Inside Face, O.F. = Outside Face
7. Hatched area to be poured after superstructure forms have been removed. Quantity of concrete included with Concrete Superstructure.
8. For sections R-R and S-S, see Sht. SC-27.
9. For section P-P, see Sht. SC-25.

**SHT. SC-26 OF 38**

REVISIONS	
NAME	DATE

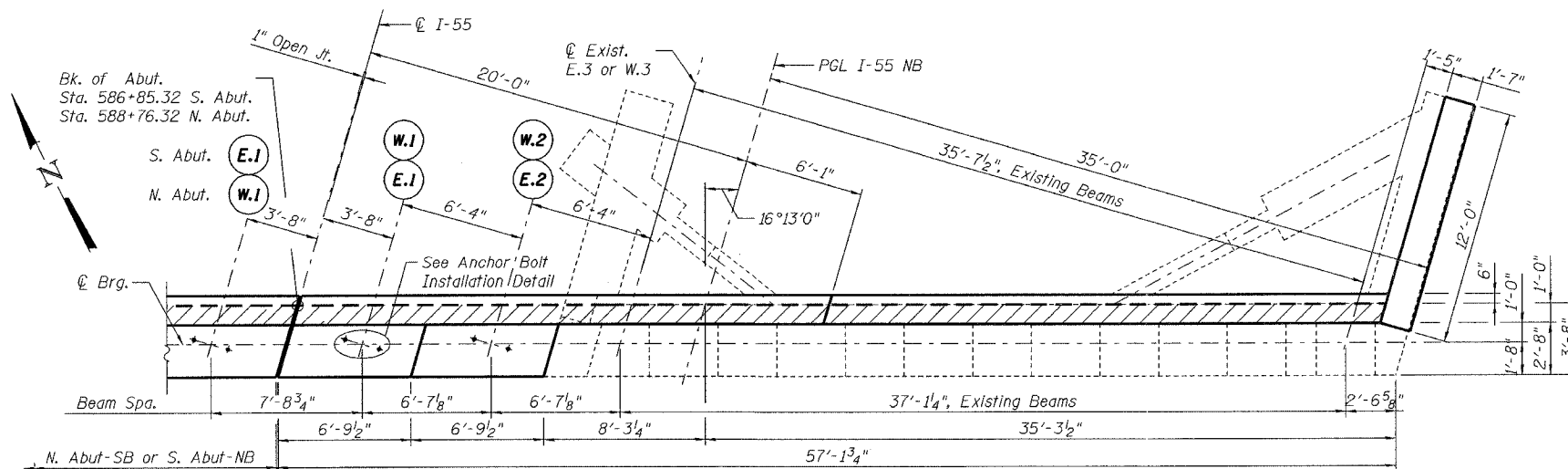
ILLINOIS DEPARTMENT OF TRANSPORTATION  
FAI ROUTE 55  
US 30 (PLAINFIELD ROAD) TO LILLY CACHE SLOUGH  
SB & NB I-55 OVER US RTE. 30, S.A. 099-0016 & 099-0017  
STA. 587+80.82, SECTION 2006-032 BY  
WILL COUNTY

**NORTH ABUTMENT - NB,  
SOUTH ABUTMENT - SB  
WIDENING - 1**

SCALE: DRAWN BY PA  
DATE 07/05/06 CHECKED BY MJK

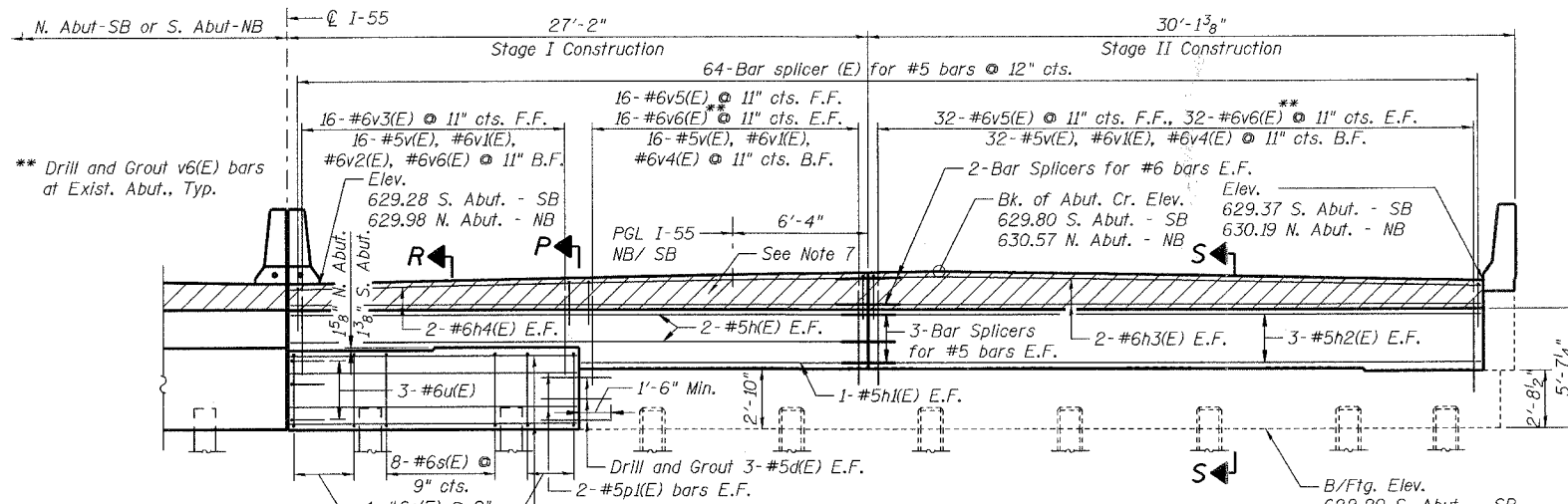
**TENG** TENG & ASSOCIATES, INC.  
ENGINEERS/ARCHITECTS/PLANNERS  
CHICAGO, ILLINOIS

**MORCOM, N.V., INC.**  
CONSULTING ENGINEERS  
CHICAGO, ILLINOIS



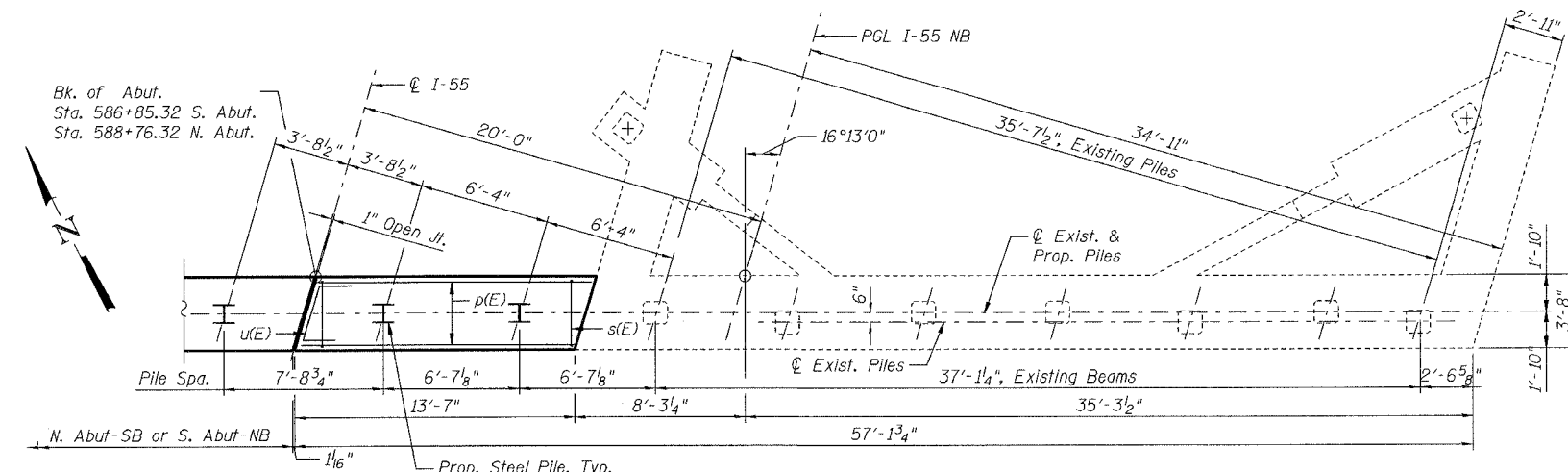
**TOP VIEW**

(N. Abut. Shown, S. Abut. Similar)



**ELEVATION**

(Looking North)  
(Dimensions along F.F. of Backwall)



**PLAN - PILE CAP**

(N. Abut. Shown, S. Abut. Similar)

PLOT DATE = 08/01/06  
 DATE = 08/01/06  
 PLOT SCALE = AS SHOWN  
 USER NAME = BUSIER#