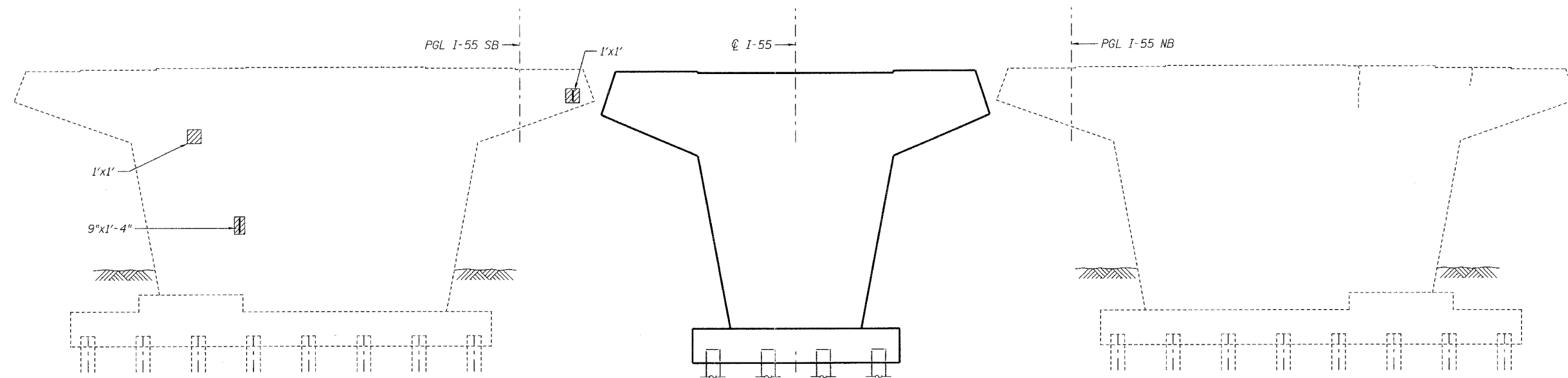
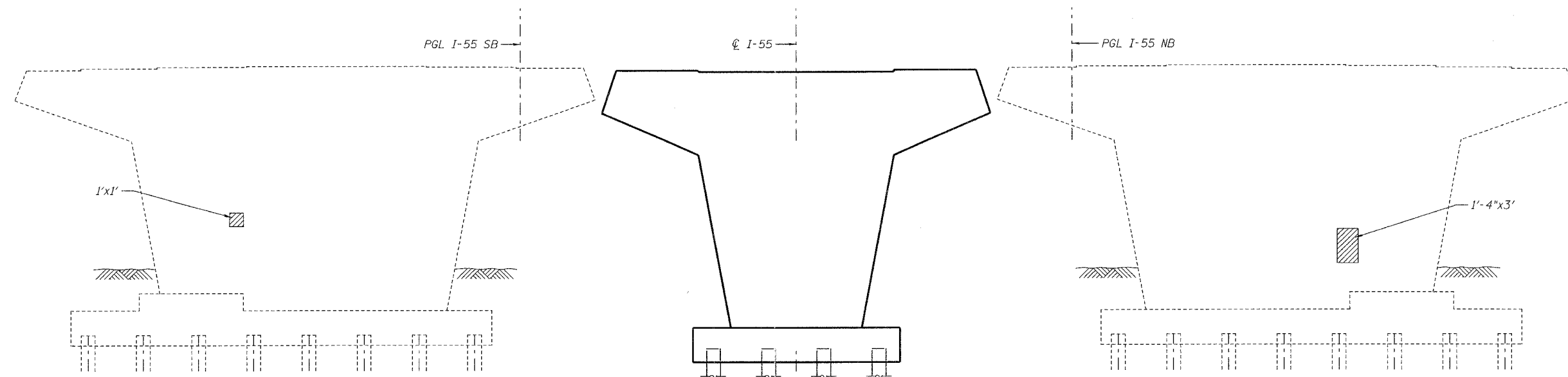


| | | | | |
|---------------------|-------------|------------------|--------------|-----------|
| F.A.I. RTE. | SECTION | COUNTY | TOTAL SHEETS | SHEET NO. |
| 55 | 2006-032 BY | WILL | 505 | 290 |
| STA. | | TO STA. | | |
| FED. ROAD DIST. NO. | ILLINOIS | FED. AID PROJECT | | |



PIER 1
(Looking North)



PIER 1
(Looking South)

LEGEND

- Structural Repair of Concrete
- Exposed Reinforcement
- Hairline Crack

Notes:

1. Areas of repair are based upon inspection surveys conducted May 2003 and increased by a factor of 1.25 to compensate for further deterioration. The type of repair (depth) quantities are assumed and shall be determined by the Engineer. The Engineer shall document actual locations and types of repairs on As-Built plans.
2. Seal cracks in piers, greater than 1/16" wide, with Epoxy Crack Sealing as identified by the Engineer.
3. Apply protective coat to new concrete surfaces of structurally repaired concrete.

BILL OF MATERIAL - PIER 1

| Item | Unit | Total |
|--|-------|-------|
| Structural Repair of Concrete (depth equal to or less than 5") | Sq Ft | 8 |
| Structural Repair of Concrete (depth greater than 5") | Sq Ft | 2 |
| Epoxy Crack Sealing | Ft | 30 |
| Protective Coat | Sq Yd | 1 |

SHT. SC-31 OF 38

| REVISIONS | |
|-----------|------|
| NAME | DATE |
| | |
| | |
| | |
| | |
| | |

ILLINOIS DEPARTMENT OF TRANSPORTATION
 FAI ROUTE 55
 US 30 (PLAINFIELD ROAD) TO LILY CACHE SLOUGH
 SB & NB I-55 OVER US RTE. 30, S.N. 099-0016 & 099-0017
 STA. 587+80.82, SECTION 2006-032 BY
 WILL COUNTY

PIER 1 REPAIR ELEVATIONS

SCALE: DATE 07/05/06 DRAWN BY PA CHECKED BY MJK

MORCOM, N.V., INC.
 CONSULTING ENGINEERS
 CHICAGO, ILLINOIS

TENG TENG & ASSOCIATES, INC.
 ENGINEERS/ARCHITECTS/PLANNERS
 CHICAGO, ILLINOIS

PLOT DATE = 07/05/06 FILE NAME = RFILES* PLOT SCALE = AS CALLED USER NAME = MJSB**
 S:\DOCUMENT\26361581\STRUCT\CON\PIER031.DWG SHIT
 6-28-2006, 15:07:25 GARCIAZ