

GENERAL NOTES:

- * 1. Fasteners shall be high strength bolts. Bolts 7/8" φ, open holes 15/16" φ, unless otherwise noted.
2. Expansion joint plates and attached bars shall be shop painted with the inorganic zinc rich primer.
3. Field welding of construction accessories will not be permitted to beams.
4. Anchor bolts shall be set before bolting diaphragms over supports.
- * 5. The main load carrying member components subject to tensile stress shall conform to the Supplemental Requirements for Notch Toughness Zone 2. These components are the wide flange beams and all splice plate material except fill plates.
6. Reinforcement bars shall conform to the requirements of AASHTO M 31M or M322 Grade 60.
7. Plan dimensions and details relative to existing structure have been taken from existing plans and are subject to nominal construction variations. It shall be the Contractor's responsibility to verify such dimensions and details in the field and make necessary approved adjustments prior to construction or ordering of materials. Such variations shall not be cause for additional compensation for a change in the scope of the work; however, the Contractor will be paid for the quantity actually furnished at the unit price for the work.
8. Bearing seat surfaces shall be constructed or adjusted to the designated elevations within a tolerance of 1/8 inch. Adjustment shall be made either by grinding the surface or by shimming the bearing. Two 1/2 inch adjusting shims, of the dimensions of the bottom bearing plate, shall be provided for each bearing in addition to all other plates or shims. For Type I Elastomeric Bearings, two 1/2 inch adjusting shims shall be provided for each bearing and placed as detailed.
9. The contractor shall drive one test pile in a permanent location at each substructure element as directed by the Engineer before ordering the remainder of piles.
10. Bridge Seat Sealer shall be applied to the seat area of both abutments.
11. Prior to pouring the new concrete deck, all loose rust, loose mill scale, and other loose potentially detrimental foreign material shall be removed from the surfaces of the beams or girders in contact with concrete. The cost of this work will be included in the pay item covering removal of the existing concrete. All heavy rust and other tightly adhered potentially detrimental foreign matter shall also be removed from the surfaces of the beams or girders in contact with concrete. Tightly adhered paint may remain unless otherwise noted. This removal shall be accomplished by methods that will not damage the steel. The cost of this work will be paid for according to Article 109.04. All existing construction accessories welded to the top flange over the pier between the quarter points of the beams or girders shall be removed. The remaining weld shall be ground smooth and inspected for cracks using magnetic particle testing. Any cracks that can not be removed by grinding approximately 1/4 inch deep shall be identified and reported to the Bureau of Bridges and Structures for further disposition. The cost of this work will be paid for according to Article 109.04.
12. The existing structural steel coating contains lead. The Contractor shall take appropriate precautions to deal with the presence of lead on this project. Prepare the surface and paint the existing steel structures in areas that will be in contact with the new steel. See special provisions for "Cleaning and Painting Contact Surface Areas of Existing Steel Structures".
13. Partial depth saw cutting of the existing concrete deck over the top of the beam flanges shall be permitted. See Special Provisions for Removal of Existing Non-Composite Bridge Decks.
- * 14. The Organic Zinc-Rich/Epoxy/Urethane Paint System shall be used by the Fabrication Contractor for painting of new structural steel except where otherwise noted. The entire system shall be shop applied, with the exception that masked off connection surfaces, field installed fasteners and damaged areas shall be touched in the field. The color of the final finish coat for all new interior steel surfaces shall be gray, Munsell No. 5B 7/1. See Special Provision for "Cleaning and Painting New Metal Structures". The Erection Contractor shall use care when working with beams. Touch up in the field will be performed by the Erection Contractor. The cost for touch up painting shall be included in the contract unit price for Erecting Structural Steel.
- * 15. Calculated weight of structural steel = 205,840 lbs.
16. All Construction joints shall be bonded.

* These notes included in Mainline Contract for information only.

DESIGNED	S.CHELBIAN
CHECKED	J.GRAINAWI
DRAWN	S.CHELBIAN
CHECKED	J.GRAINAWI

Date: 7/21/2006

STATE OF ILLINOIS
DEPARTMENT OF TRANSPORTATION

ROUTE NO.	SECTION	COUNTY	STATE	SHEET	SHEET NO.
FAI-55	**	WILL	505	299	44 SHEETS
FED. ROAD DIST. NO. 7	ILLINOIS	FED. AID PROJECT			

** SECTION 2006-032 BY
CONTRACT NO. 60B86

INDEX OF SHEETS

1. General Plan & Elevation, Index
2. General Notes & Bill of Material
3. Construction Stages
4. Substructure Layout
5. Top of Slab Elevation Layout
6. Top of Slab Elevations I
7. Top of Slab Elevations II
8. Top of Slab Elevations III
9. SB Deck Plan & Section
10. NB Deck Plan & Section
11. Superstructure Details I
12. Superstructure Details II
13. Bridge Joint System - Expansion (Preformed Joint Seal)
14. Bridge Joint System - Expansion (Alternate Strip Seal)
15. Drainage Scupper, DS-II
16. Drainage Scupper, DS-33
17. Framing Plan
18. Structural Steel Details I
19. Structural Steel Details II
20. Structural Steel Details III
21. Elastomeric Bearing Assembly, Type I
22. Elastomeric Bearing Assembly, Type II
23. South Abutment Widening I
24. South Abutment Widening II
25. South Abutment Details
26. Pier No. 1 Widening
27. Pier No. 2 Widening
28. Pier No. 1 & 2 Details
29. North Abutment Widening I
30. North Abutment Widening II
31. North Abutment Details
32. Substructure Repairs I (SB)
33. Substructure Repairs II (NB)
34. Crib Retaining Wall Widening & Details
35. Anchor Bolt Details
36. Bar Splicer Details
37. Temporary Concrete Barrier
38. Cantilever Forming Brackets
39. Boring Logs I
40. Boring Logs II
41. Boring Logs III
42. Boring Logs VI
43. Boring Logs V
44. Boring Logs IV

TOTAL BILL OF MATERIAL

ITEM	UNIT	SUPER	SUB	TOTAL
Porous Granular Embankment, Special	Cu. Yd.		116	116
Concrete Removal	Cu. Yd.	55.3	28.4	83.7
Removal of Existing Concrete Deck	Each	1		1
Structure Excavation	Cu. Yd.		457	457
Floor Drains	Each	4		4
Preformed Joint Seal, 2 1/2"	Foot	158.5		158.5
Concrete Structures	Cu. Yd.		382.6	382.6
Concrete Superstructure	Cu. Yd.	460.6		460.6
Bridge Deck Grooving	Sq. Yd.	1,514		1,514
Protective Coat **	Sq. Yd.	2,622		2,622
Erecting Elastomeric Bearing Assembly, Type I	Each	11		11
Erecting Elastomeric Bearing Assembly, Type II	Each	8		8
Structural Repair of Concrete (Depth Equal to or Less Than 5")	Sq. Ft.	91		91
Erecting Structural Steel	L. Sum	0.55		0.55
Furnishing and Erecting Structural Steel *	Pound	230		230
Shear Stud Connectors	Each	7,413		7,413
Reinforcement Bars, Epoxy Coated	Pound	97,850	35,090	132,940
Bituminous Coated Aggregate Slopewall, 6"	Sq. Yd.		399	399
Furnishing Steel Piles HP10x42	Foot		2,510	2,510
Driving Steel Piles	Foot		2,510	2,510
Test Pile Steel HP10x42	Each		4	4
Metal Shoes	Each		76	76
Temporary Sheet Piling	Sq. Ft.		958	958
Name Plates	Each	2		2
Bridge Seat Sealer	Sq. Ft.		231	231
Epoxy Crack Sealing	Foot	45		45
Geocomposite Wall Drain	Sq. Yd.		72	72
Pipe Underdrains For Structures 4"	Foot		132	132
Conduit Embedded in Structure, 2" Dia., Galvanized Steel	Foot	318		318
Precast Modular Retaining Wall	Sq. Ft.		368	368
Drainage Scuppers DS-33	Each	1		1
Drainage Scuppers DS-II	Each	1		1
Bridge Joint System (Expansion), 1"	Foot	137.7		137.7
Bridge Joint System (Expansion), 1 1/2"	Foot	137.7		137.7
Temporary Soil Retention System	Sq. Ft.		171	171
Bar Splicers	Each	926	456	1,382
Protective Shield	Sq. Yd.	599.1		599.1

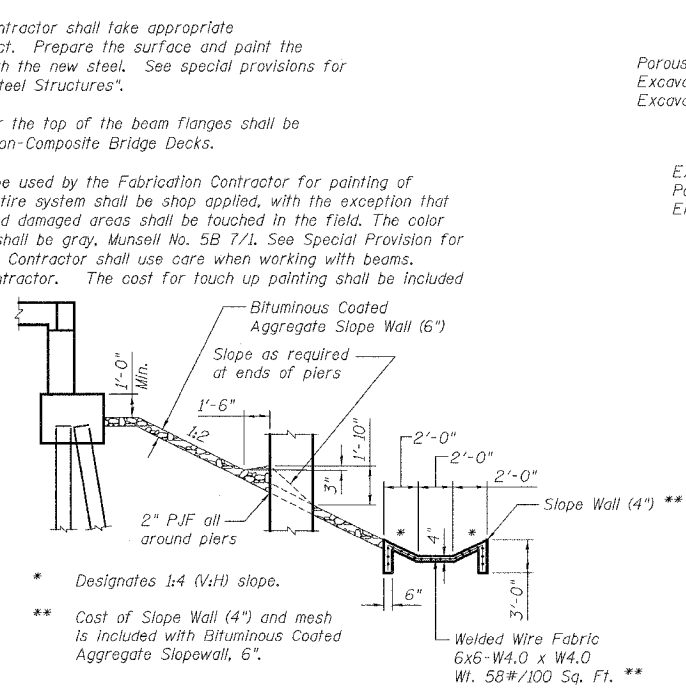
* For Anchor Bolts Only.
** Quantity shown includes existing construction. Apply in accordance with Section 503.19 of the standard specifications.

STATION 609+29.37
REBUILT BY
STATE OF ILLINOIS
FAI RT. 55 SEC. 2006-032 BY
LOADING HS20 & ALT.
STR. NO. 099-0018

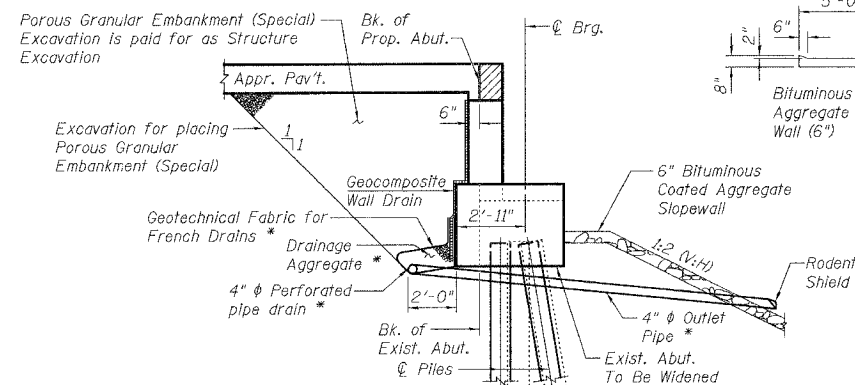
NAME PLATE
See Std. 515001

STATION 609+29.37
REBUILT BY
STATE OF ILLINOIS
FAI RT. 55 SEC. 2006-032 BY
LOADING HS20 & ALT.
STR. NO. 099-0019

NAME PLATE
See Std. 515001

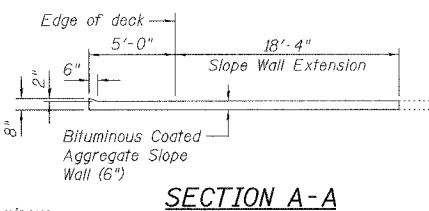


**SECTION THRU SLOPEWALL
AT SOUTH ABUTMENT**
(Dimensions @ Rt. L's)

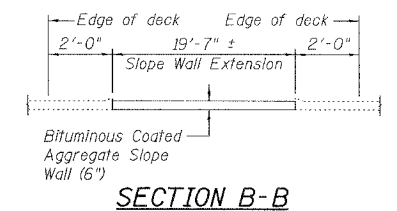


- Notes:
1. * Included in the cost of Pipe Underdrains for Structures.
 2. For S.N. 099-0019, the north and south abutment drainage system components shall extend to 2'-0" from the end of each outside wingwall except an outlet pipe shall extend until intersecting with the side slopes. The pipes shall drain into concrete headwalls. (See Article 601.05 of the Standard Specifications and Highway Standard 60110).
 3. Connect 4" φ Perforated Pipe Drain to 4" φ Outlet Pipe and extend until it intersects and passes through slopewall. The end of the Outlet Pipe shall be protected by a permanent Rodent Shield. Rodent Shield shall be according to Section 601 of the Standard Specifications and cost shall be included with Pipe Underdrain for Structures, 4".

SECTION THRU ABUTMENTS
(Dimensions @ Rt. L's)



SECTION A-A



SECTION B-B

- Notes:
1. The new name plate for the NB structure shall be located next to the existing name plate. The name plate shall be attached to the existing concrete using concrete anchors and set in a bed of epoxy. Concrete anchors and epoxy shall be subject to approval of the Engineer. Cost included with Name Plate.
 2. The existing name plate for the SB structure shall be cleaned and relocated next to the new name plate. Cost included with Name Plate.

**GENERAL NOTES &
BILL OF MATERIAL
I-55 OVER EJ&E RR
FAI ROUTE 55-SEC. 2006-032 BY
WILL COUNTY
STA. 609+29.37
STRUCTURE NO. 099-0018 (NB)
STRUCTURE NO. 099-0019 (SB)**

