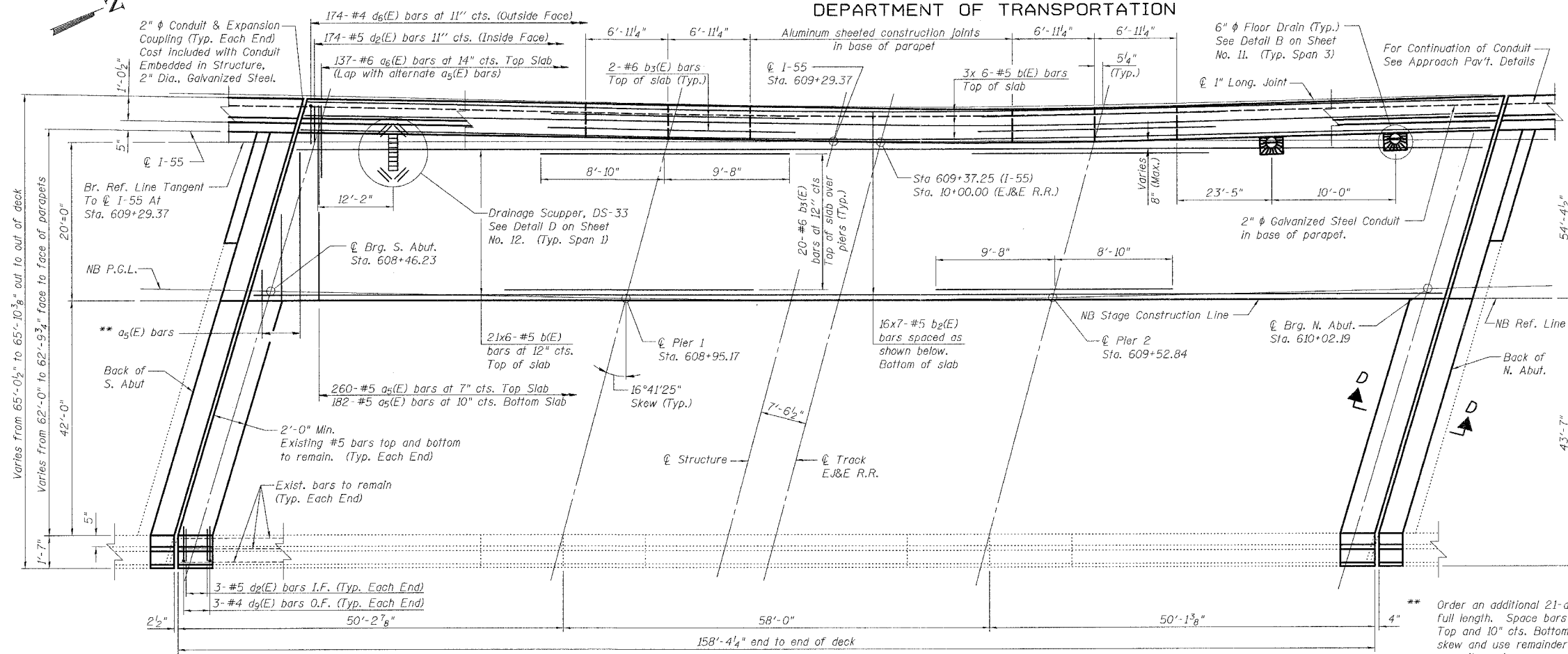


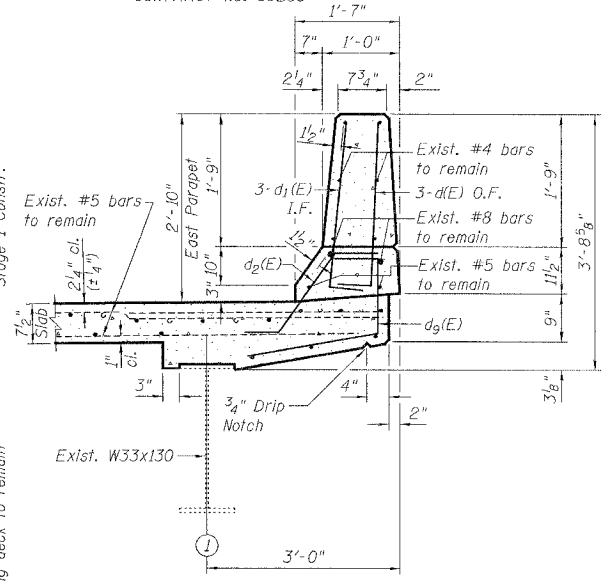
STATE OF ILLINOIS
DEPARTMENT OF TRANSPORTATION

ROUTE NO.	SECTION	COUNTY	PROJECT NO.	SHEET NO.
FAI-55	**	WILL	505 307	44 SHEETS
FED. ROAD DIST. NO. 7		ILLINOIS	FED. AID PROJECT	

** SECTION 2006-032 BY
CONTRACT NO. 60B86

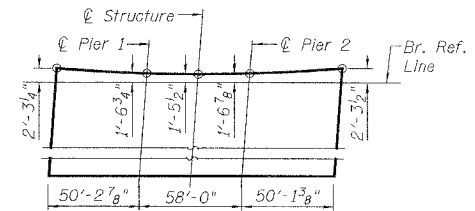


PLAN

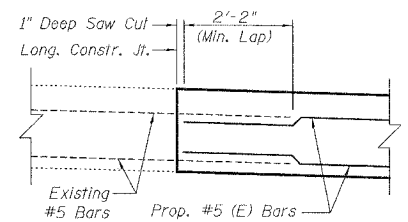


SECTION THRU NB EAST PARAPET
(2'-0" Min. to be removed and reconstructed)

Note:
Existing reinforcement extending into the removal area shall be cleaned, straightened, and incorporated into the new construction. Any reinforcement bars damaged during concrete removal shall be replaced with an approved bar splicer or anchorage system. Cost shall be included with Concrete Removal.

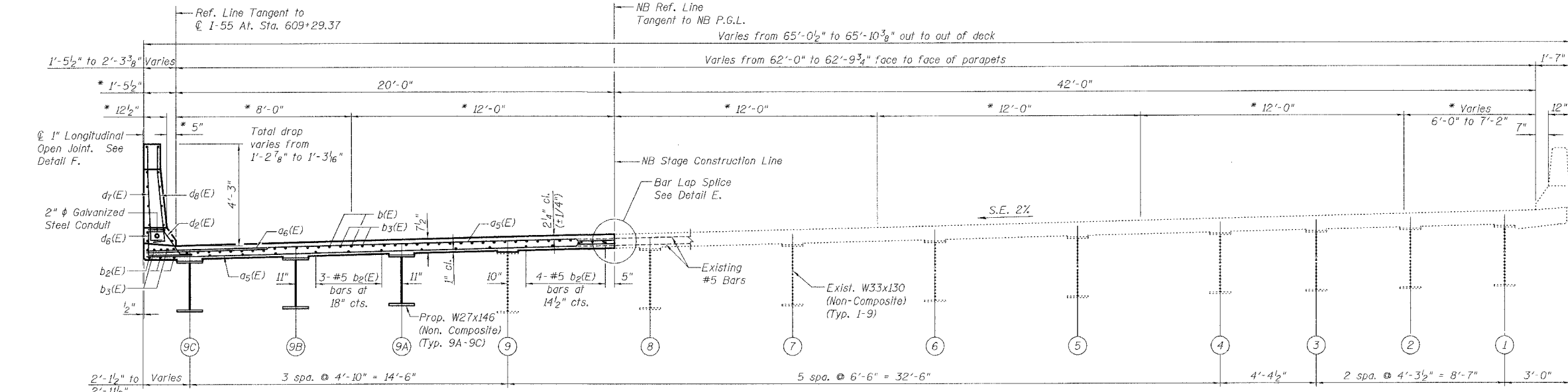


DECK OFFSET SKETCH
(Dimensions are shown from the outside edge of deck.)



DETAIL E
Note:
Remove existing concrete to expose a minimum of 2'-2" of the existing top and bottom transverse bars which shall be incorporated into new construction.

NB DECK PLAN AND SECTION
I-55 OVER EJ&E R.R.
FAI ROUTE 55-SEC. 2006-032 BY
WILL COUNTY
STA. 609+29.37
STRUCTURE NO. 099-0018 (NB)



CROSS SECTION
(Looking North)

* Designates radial dimensions normal to ϕ I-55.

DESIGNED	S.CHELBIAN
CHECKED	J.GRAINAWI
DRAWN	S.CHELBIAN
CHECKED	J.GRAINAWI

- Notes:
- See Sheet No. 12 for superstructure details, parapet reinforcement, and Bill of Material.
 - Reinforcement bars designated (E) shall be epoxy coated.
 - Bars indicated thus 16 x 7-#5 etc. indicates 16 lines of bars with 7 lengths per line.
 - See Sheet No. 12 for Section D-D & Detail F.
 - Work this sheet with Sheet Nos. 9, 11 & 12.

Date: 6/30/2006



6/30/2006 4:50:35 PM C:\16817\Struct\Cadd\Pre-Final\EJ&E R.R\Final Bridge Contract\092006-60B86-000-000-D10.dgn