

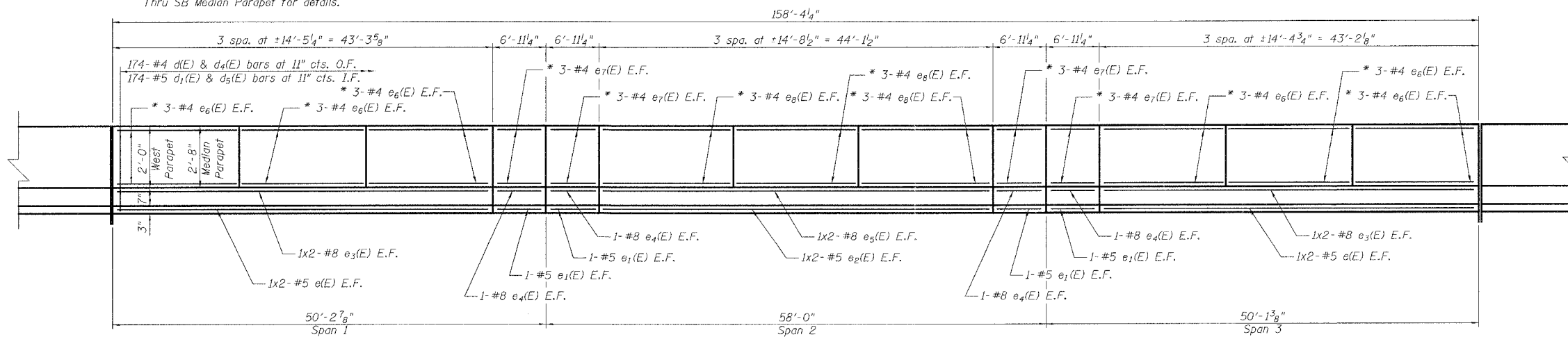
STATE OF ILLINOIS  
DEPARTMENT OF TRANSPORTATION

ROUTE NO.	SECTION	COUNTY	CONTRACT NO.	SHEET NO.	SHEET NO. 11
FAI-55	**	WILL	505	308	44 SHEETS
FED. ROAD DIST. NO. 7	ILLINOIS	FED. AID PROJECT			

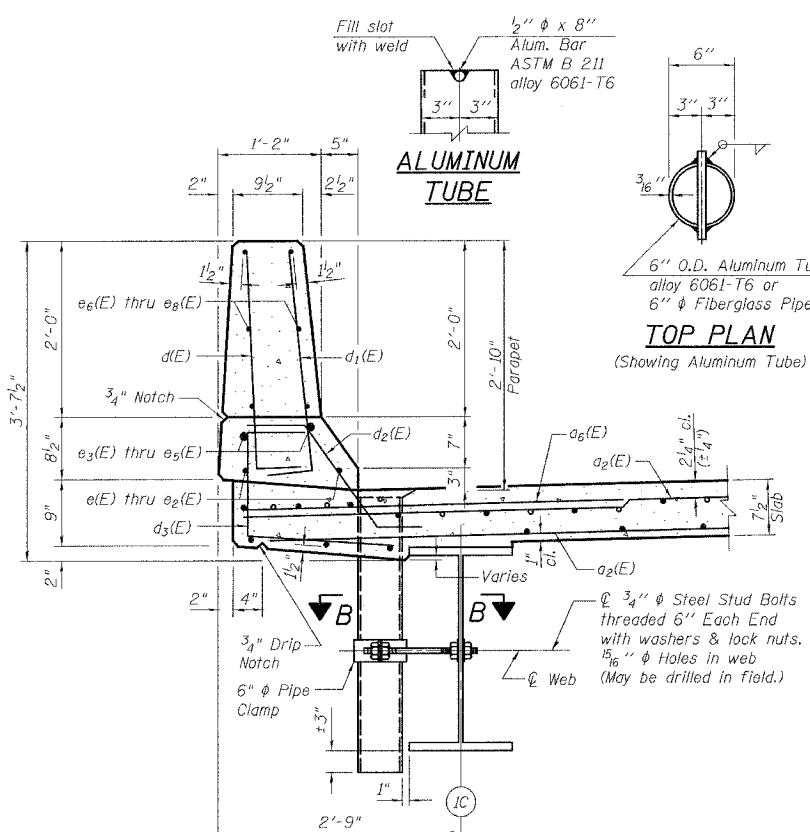
\*\* SECTION 2006-032 BY  
CONTRACT NO. 60B86

Note:

- \* Indicates that an additional line of bars is required in the top portion of the median parapet. See Section Thru SB Median Parapet for details.

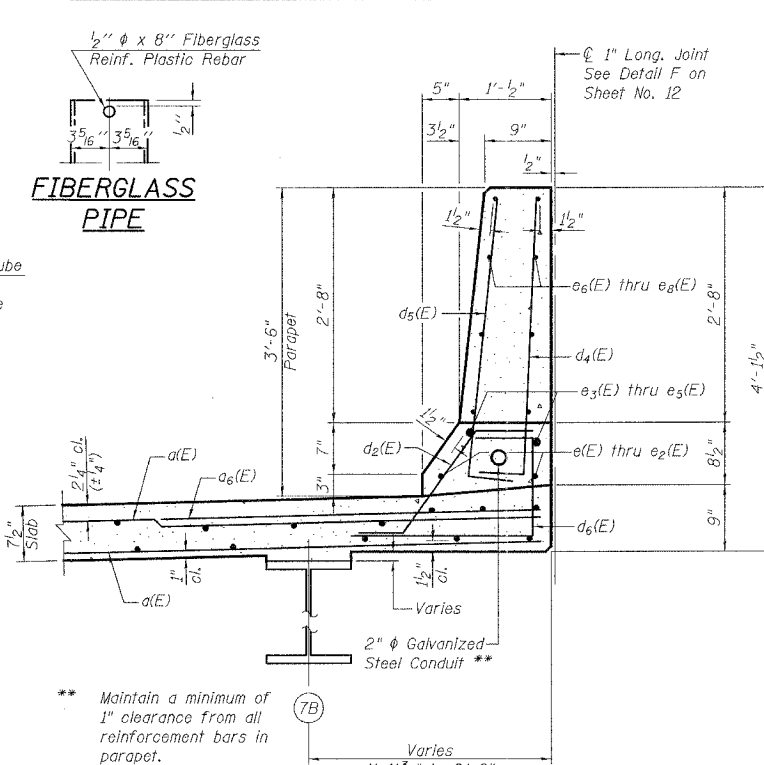


INSIDE ELEVATION OF SB WEST & MEDIAN PARAPET

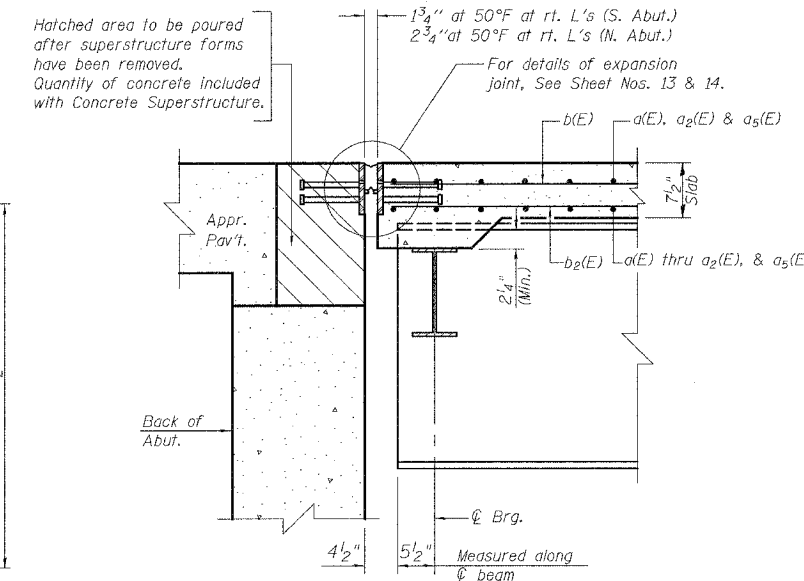


SECTION THRU SB WEST PARAPET

(Floor Drain similar at NB Median Parapet)



SECTION THRU SB MEDIAN PARAPET



SECTION A-A

Notes:

- Reinforcement bars designated (E) shall be epoxy coated.
- Bars indicated thus 1 x 2-#5 etc. indicates 1 lines of bars with 2 lengths per line.
- Cut longitudinal reinforcement to clear Drainage Scuppers & Floor Drains.
- The exterior surfaces of the floor drains shall be painted to match the fascia beams and as specified in the special provisions for Cleaning and Painting New Metal Structures. The exterior surfaces of the drains shall be cleaned according to Steel Structures Painting Council's Spec. SSPC-SPI prior to painting.
- Work this sheet with Sheet Nos. 9, 10, & 12.

MIN. BAR LAPS

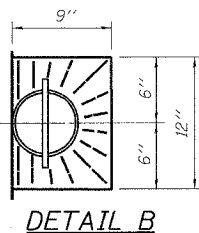
#4	1'-8"
#5	2'-2"
#8	4'-6"

BILL OF MATERIAL  
SB SUPERSTRUCTURE

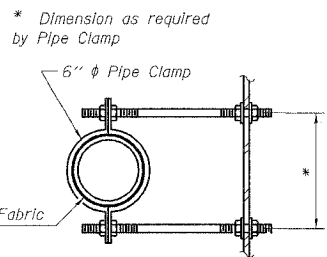
Bar	No.	Size	Length	Shape
a(E)	463	#5	18'-6"	—
a1(E)	463	#5	12'-9"	—
a2(E)	463	#5	37'-6"	—
a6(E)	274	#6	5'-4"	—
a7(E)	8	#5	1'-6"	—
b(E)	462	#5	28'-3"	—
b1(E)	144	#6	29'-7"	—
b2(E)	413	#5	24'-6"	—
d(E)	174	#4	3'-0"	—
d1(E)	174	#5	3'-0"	—
d2(E)	348	#5	2'-5"	—
d3(E)	174	#4	3'-4"	—
d4(E)	174	#4	3'-8"	—
d5(E)	174	#5	3'-8"	—
d6(E)	174	#4	3'-9"	—
e(E)	16	#5	22'-9"	—
e1(E)	16	#5	6'-7"	—
e2(E)	8	#5	23'-2"	—
e3(E)	16	#8	23'-11"	—
e4(E)	16	#8	6'-7"	—
e5(E)	8	#8	24'-4"	—
e6(E)	84	#4	14'-1"	—
e7(E)	56	#4	6'-7"	—
e8(E)	42	#4	14'-5"	—
Reinforcement Bars, Epoxy Coated	Pound		73,610	
Concrete Superstructure	Cu. Yds.		331.3	
Protective Coat	Sq. Yd.		1,354	
Bridge Deck Grooving	Sq. Yd.		1,153	
Floor Drains	Each		2	
Conduit Embedded in Structure, 2" Dia., Galvanized Steel	Foot		159	
Protective Shield	Sq. Yd.		470.2	

DESIGNED	S.CHELBIAN
CHECKED	J.GRAINAWI
DRAWN	S.CHELBIAN
CHECKED	J.GRAINAWI

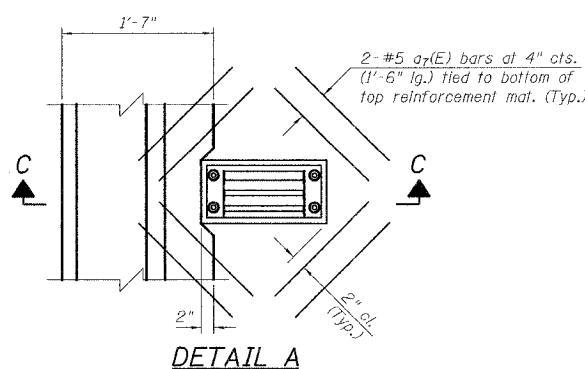
Date: 6/30/2006



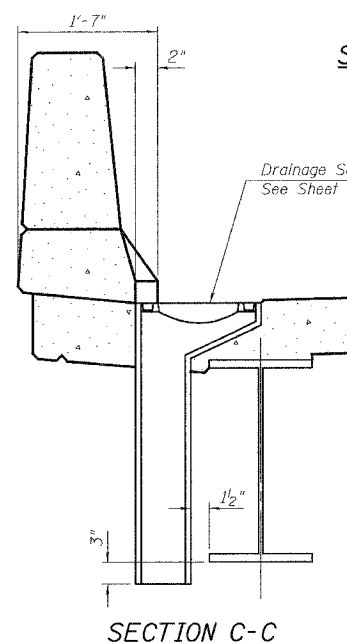
DETAIL B



SECTION B-B



DETAIL A



SECTION C-C



SUPERSTRUCTURE DETAILS I  
I-55 OVER E.J.&E R.R.  
FAI ROUTE 55-SEC. 2006-032 BY  
WILL COUNTY  
STA. 609+29.37  
STRUCTURE NO. 099-0018 (NB)  
STRUCTURE NO. 099-0019 (SB)