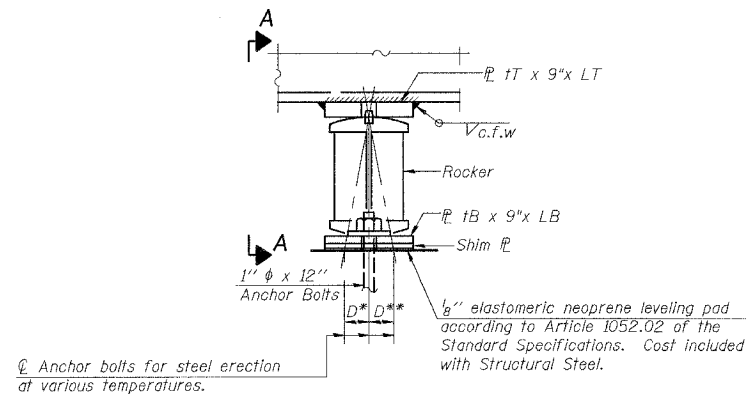


STATE OF ILLINOIS
DEPARTMENT OF TRANSPORTATION

ROUTE NO.	SECTION	COUNTY	TOTAL SHEETS	SHEET NO.	SHEET NO. 20
FAI-55	**	WILL	505	317	44 SHEETS
FED. ROAD DIST. NO. 7	ILLINOIS	FED. AID PROJECT			

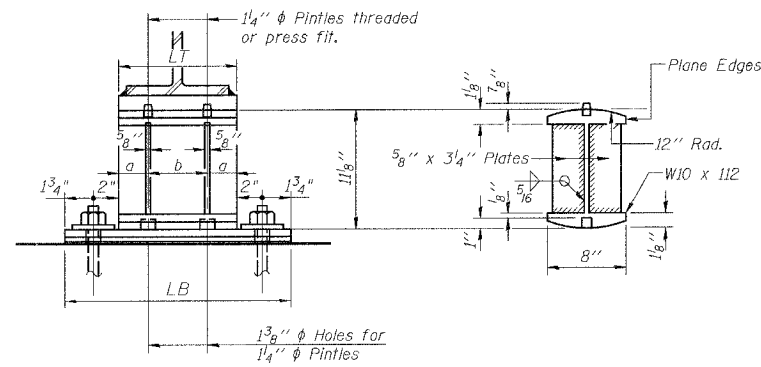
** SECTION 2006-032 BY
CONTRACT NO. 60B86



ELEVATION AT PIER 2 (SB)
(5 Req'd)

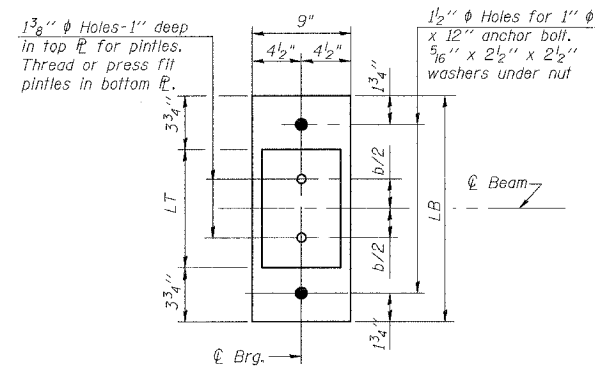
* $D = \frac{1}{8}''/100$ ft. of exp. for every 15° below the normal temp. of 50°F.

** $D = \frac{1}{8}''/100$ ft. of exp. for every 15° above the normal temp. of 50°F.

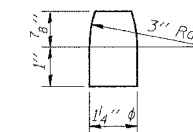


SECTION A-A

DETAIL OF ROCKER



PLAN



DETAIL OF PINTLE

Note:

- See Sheet No. 35 for anchor bolt installation. Anchor bolts at fixed bearings may be built into the masonry.

BEAM	LT	LB	tT	tB	a	b	c.f.w.	Total No. Req'd
W33X130	12 1/2"	20"	1 3/8"	1 3/4"	3"	6 1/2"	1/2"	2
W27X146	15 1/2"	23"	1 3/4"	1 7/8"	2 1/4"	2 @ 5 1/2"	5/8"	3

DESIGNED	J. ZUO
CHECKED	J. GRAINAWI
DRAWN	J. ZUO
CHECKED	J. GRAINAWI

Date: 6/30/2006



STRUCTURAL STEEL DETAILS III
I-55 OVER EJ&E R.R.
FAI ROUTE 55-SEC. 2006-032 BY
WILL COUNTY
STA. 609+29.37
STRUCTURE NO. 009-0018 (NB)
STRUCTURE NO. 009-0019 (SB)