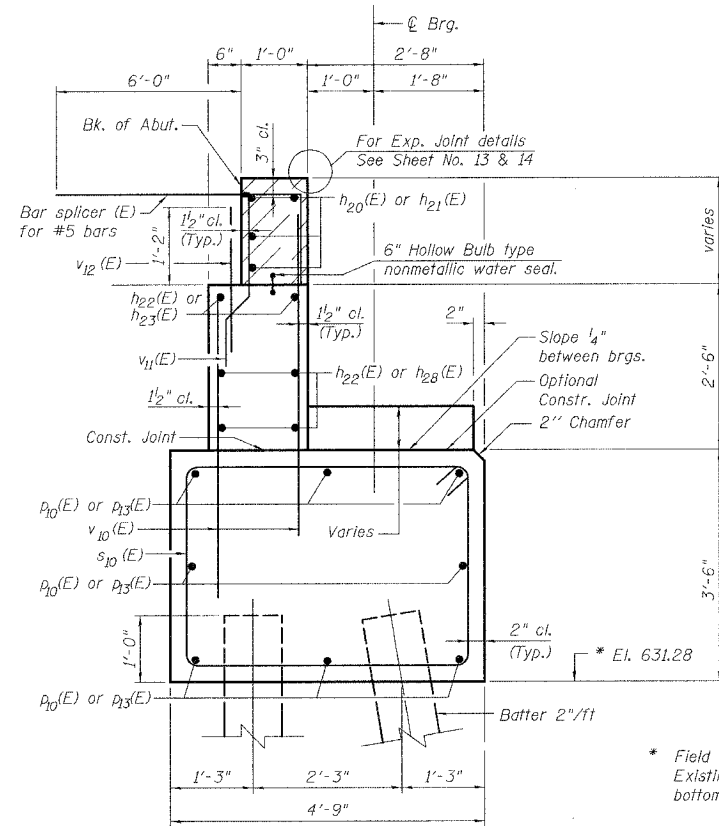


STATE OF ILLINOIS
DEPARTMENT OF TRANSPORTATION

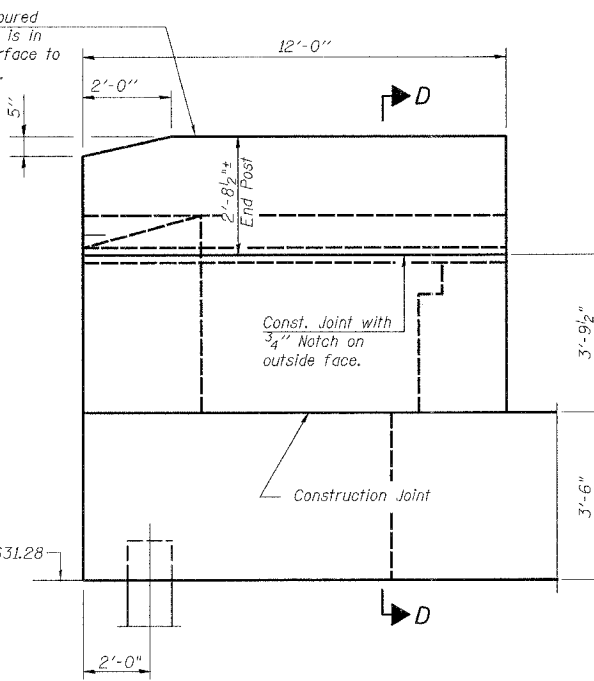
ROUTE NO.	SECTION	COUNTY	TOTAL SHEETS	SHEET NO.
FAI-55	**	WILL	505	328
44 SHEETS				

** SECTION 2006-032 BY
CONTRACT NO. 60B86

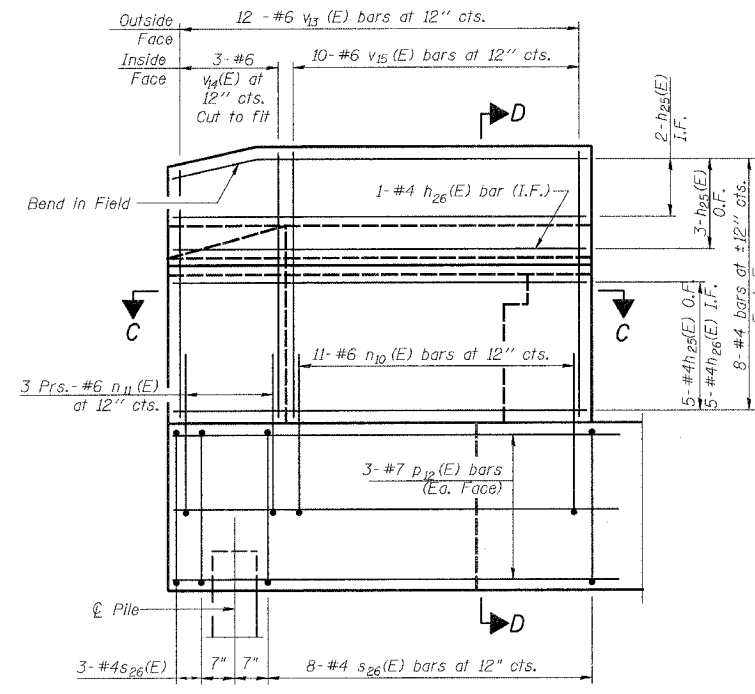


SECTION A-A

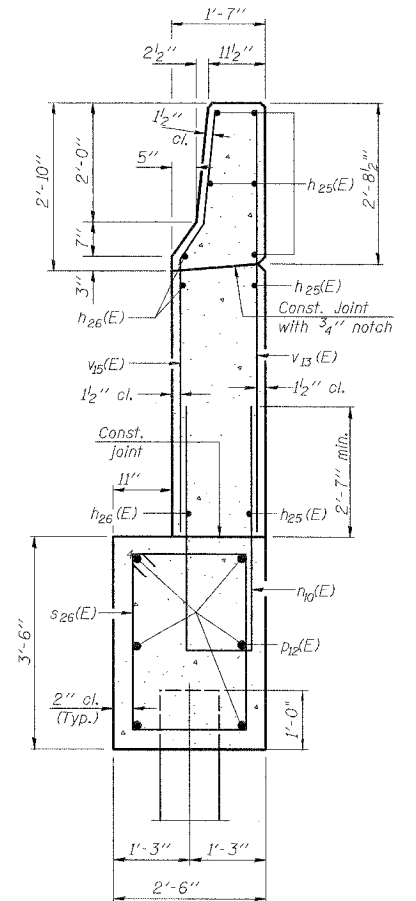
End Post shall be poured after bridge parapet is in place. Form top surface to match parapet grade.



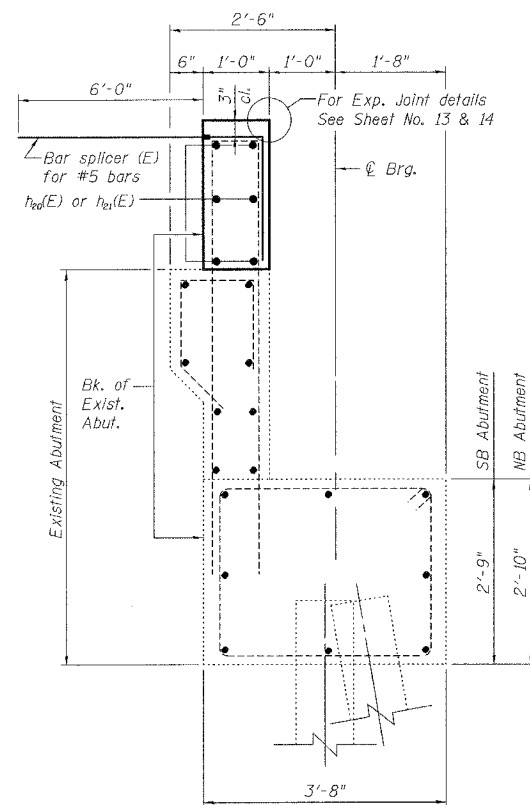
WING WALL ELEVATION
Showing Dimensions



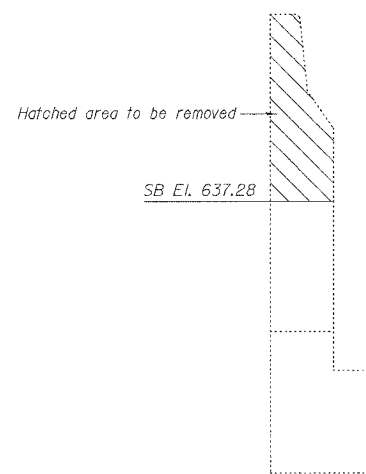
WING WALL ELEVATION
Showing Reinforcement



SECTION D-D



SECTION B-B



SECTION THRU EXIST.
S.B. N. ABUT. WINGWALLS

Notes:

1. Hatched area to be poured after superstructure forms have been removed. Quantity of concrete included with Concrete Superstructure.
2. Space reinforcement in cap to miss anchor bolts.
3. Reinforcement bars designated (E) shall be epoxy coated.
4. Quantity of concrete in end post included with Concrete Superstructure on Sheet Nos. 11 & 12.
5. Work this sheet with Sheet Nos. 29 & 30.



NORTH ABUTMENT DETAILS
I-55 OVER EJ&E R.R.
FAI ROUTE 55-SEC. 2006-032 BY
WILL COUNTY
STA. 609+29.37
STRUCTURE NO. 099-0018 (NB)
STRUCTURE NO. 099-0019 (SB)

DESIGNED	J. BRISBOIS
CHECKED	J. GRAINAWI
DRAWN	Z. MORILLO
CHECKED	J. GRAINAWI

Date: 6/30/2006