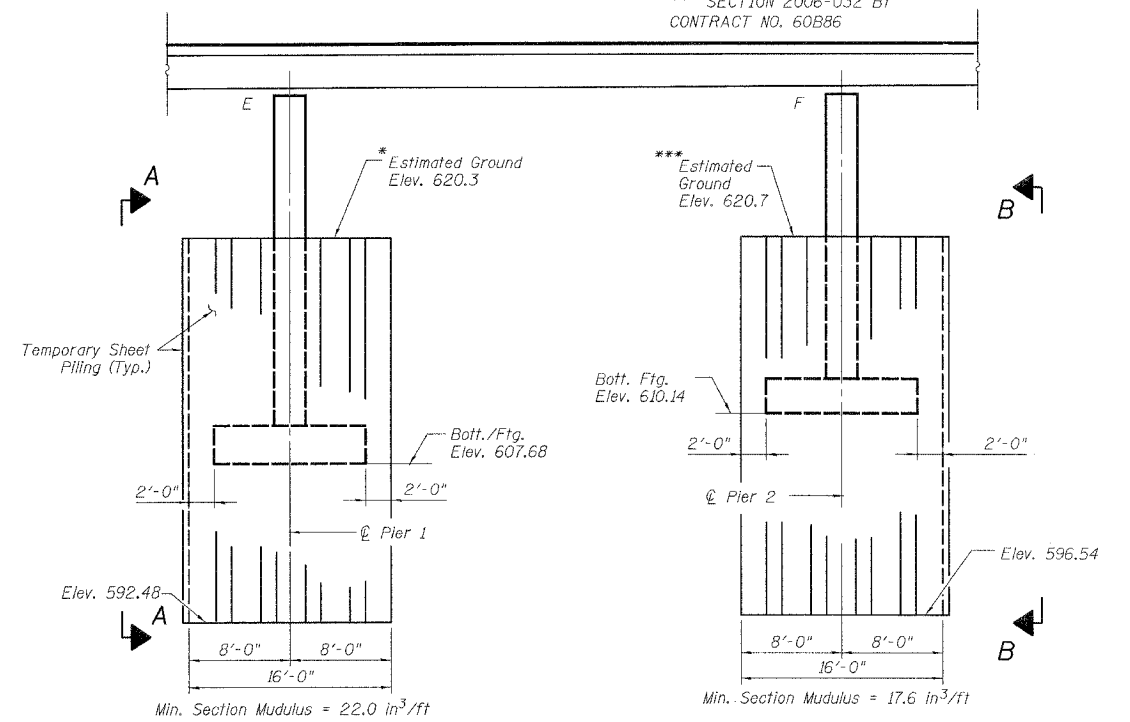
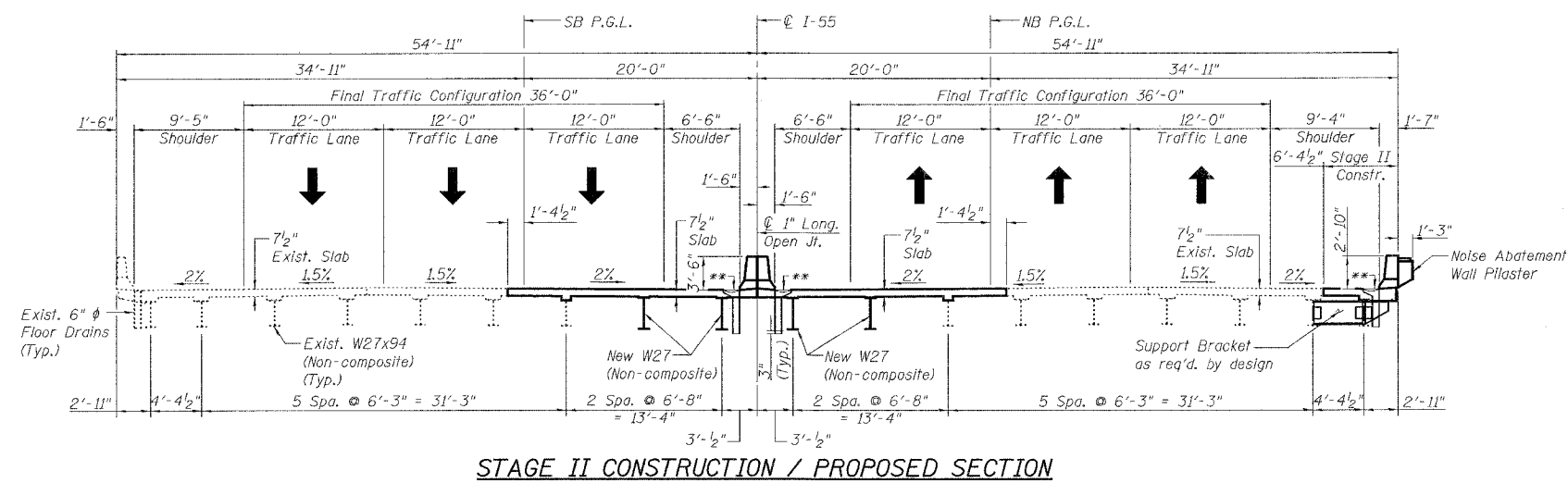
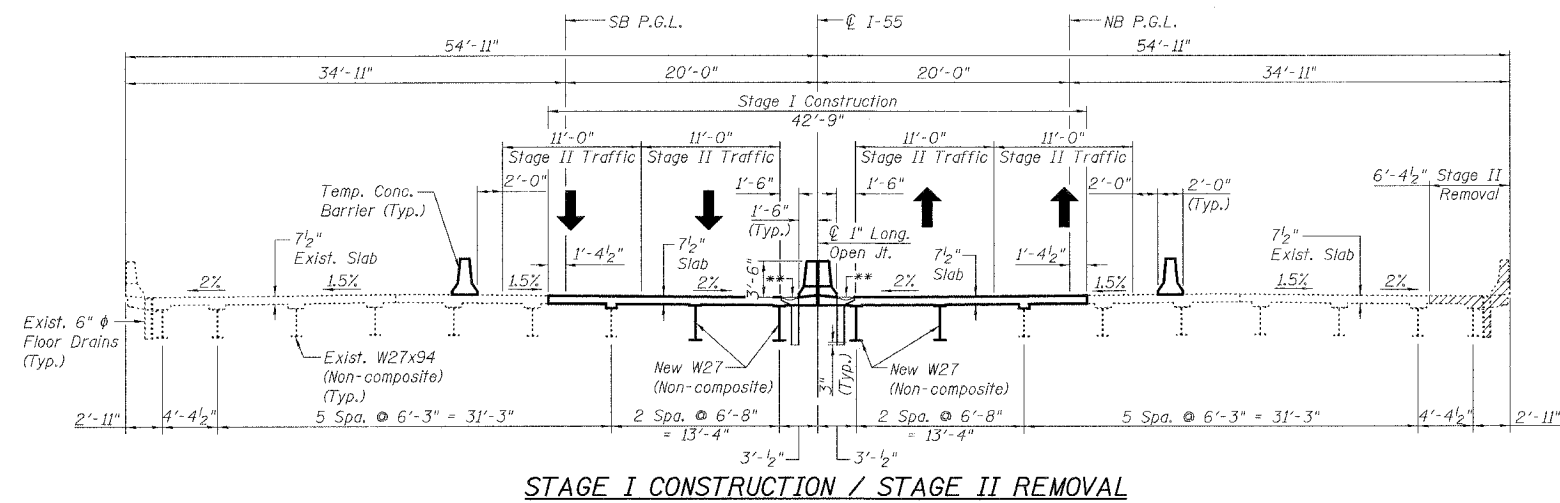
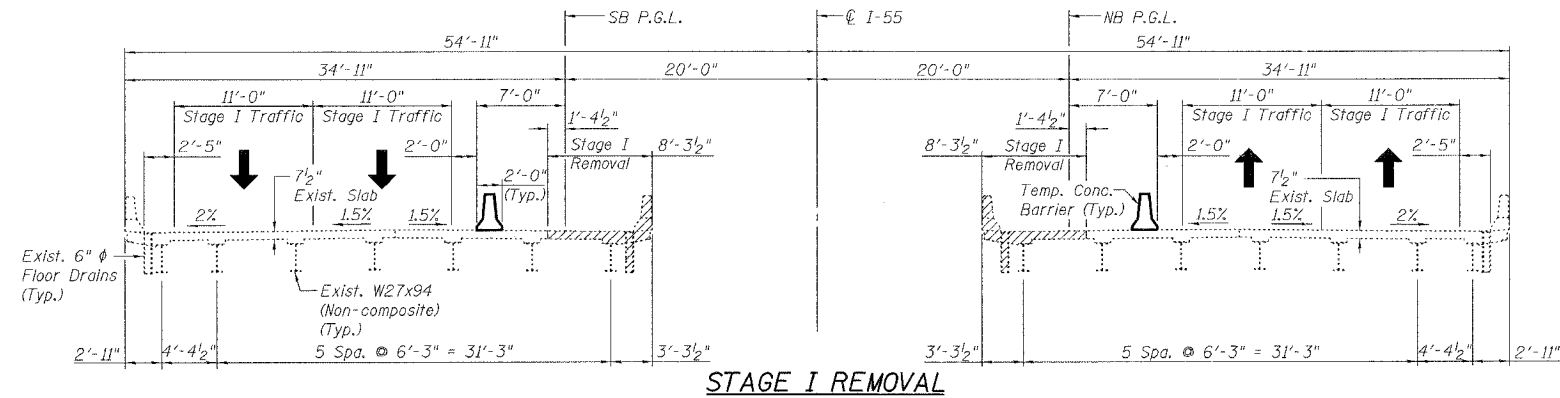


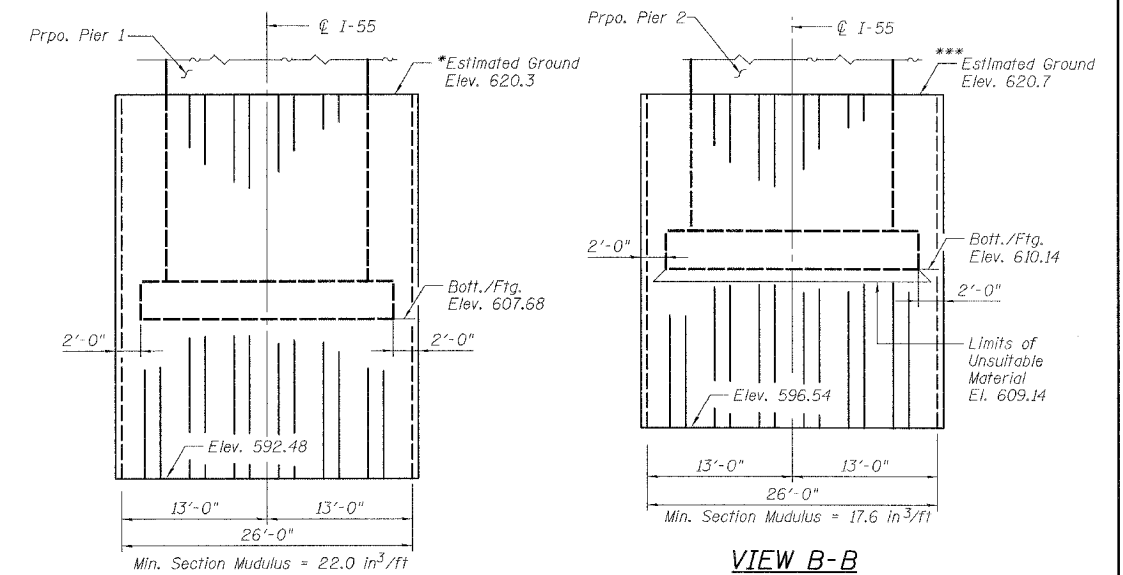
STATE OF ILLINOIS
DEPARTMENT OF TRANSPORTATION

ROUTE NO.	SECTION	COUNTY	TOTAL SHEETS	SHEET NO.
FAI-55	**	WILL	505	344
FED. ROAD DIST. NO. 7		ILLINOIS	FED. AID PROJECT	

** SECTION 2006-032 BY
CONTRACT NO. 60B86



* Taken from Boring No. BR-13 (2006) *** Taken from Boring No. BR-14 (2006)



NOTES:

- For Temporary Concrete Barrier, See Sheet No. 27.
- ** Designates Drainage Scupper DS-11 & 6" φ Floor Drains. See Plan Views on Sheet Nos. 7 & 8 for location and spacing.
- All Cross Sections are Looking North.

LEGEND

Hatched Area Indicates Concrete Removal

TEMPORARY SHEET PILING NOTES:

- If the contractor chooses to alter the temporary cantilevered sheet piling design requirements shown on the plan, a design submittal including plan details and calculations will be required for review and acceptance by the engineer.
- Hard driving may be encountered during the sheet piling installation. The contractor shall provide the appropriate driving equipment for the soil conditions indicated on the boring logs.
- The Contractor shall verify possible utility conflicts prior to driving any sheet piling. See Special Provisions.
- For locations of temporary sheet piling, see General Plan on Sheet No. 1.

VIEW A-A

BILL OF MATERIAL

ITEM	UNIT	TOTAL
Temporary Sheet Piling	Sq. Ft.	3,016
Concrete Removal	Cu. Yd.	115.2



STAGE CONSTRUCTION
I-55 OVER MS (ABANDONED) R.R.
FAI ROUTE 55-SEC. 2006-032 BY
WILL COUNTY
STA. 710+34.86
STRUCTURE NO. 099-0022 (NB)
STRUCTURE NO. 099-0023 (SB)

6/30/2006 4:16:04 PM C:\18917A\StructCadd\Pre-Fin\IllMS RRR\Final Bridge Contract\092206-01895-000-00-003.dgn

DESIGNED	S.CHELBIAN
CHECKED	J.GRAINAWI
DRAWN	S.CHELBIAN
CHECKED	J.GRAINAWI

Date: 6/30/2006