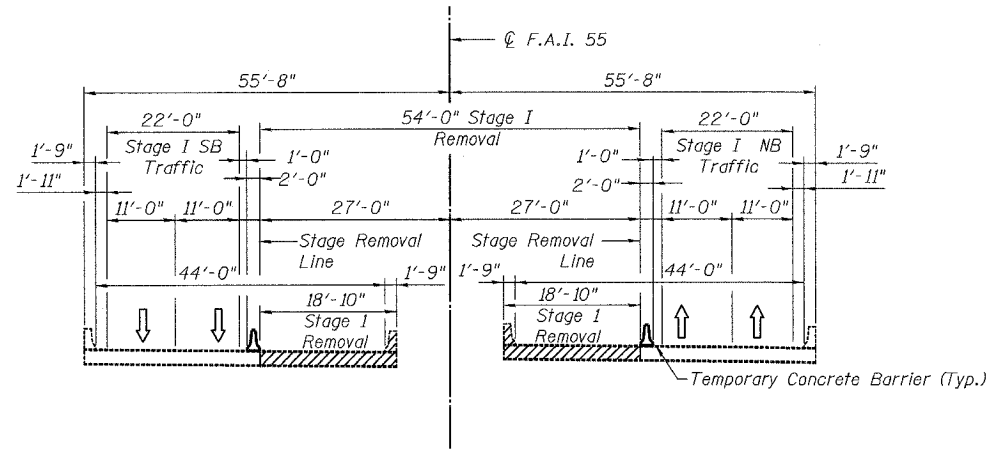


STATE OF ILLINOIS
DEPARTMENT OF TRANSPORTATION

ROUTE NO.	SECTION	COUNTY	DISTRICT	SHEET NO.
F.A.I. 55	2006-032 BY	WILL	505	402
FED. ROAD DIST. NO.		ILLINOIS	FED. AID PROJECT-	
CONTRACT #: 60886				

SHEET NO. S-3
S-10 SHEETS



STAGE I REMOVAL

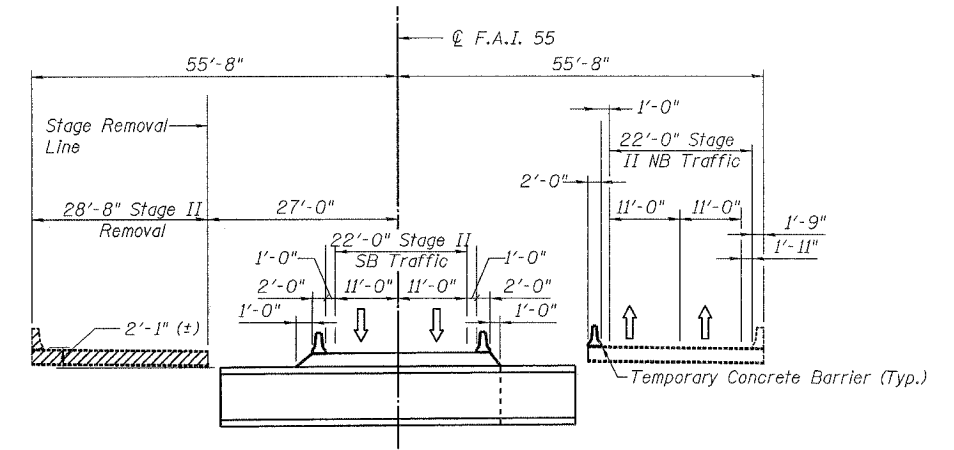
All dimensions measured radial to C of Roadway

LEGEND

Indicates portions of Existing Structure to be removed

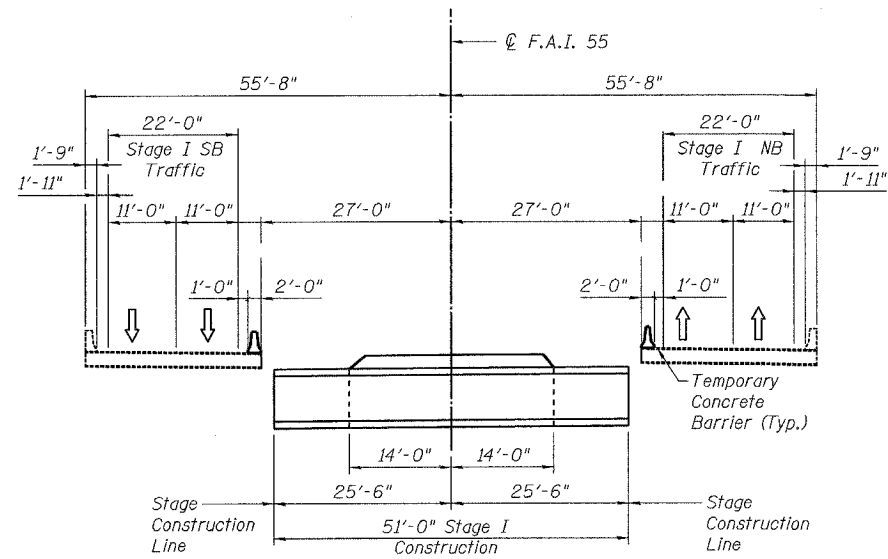
NOTES

Work this sheet with sheets S-4, S-5, and S-9.
All cross sections are looking north.
See Roadway plans for quantity of temporary concrete barrier.
See Roadway plans for details of temporary pavement.



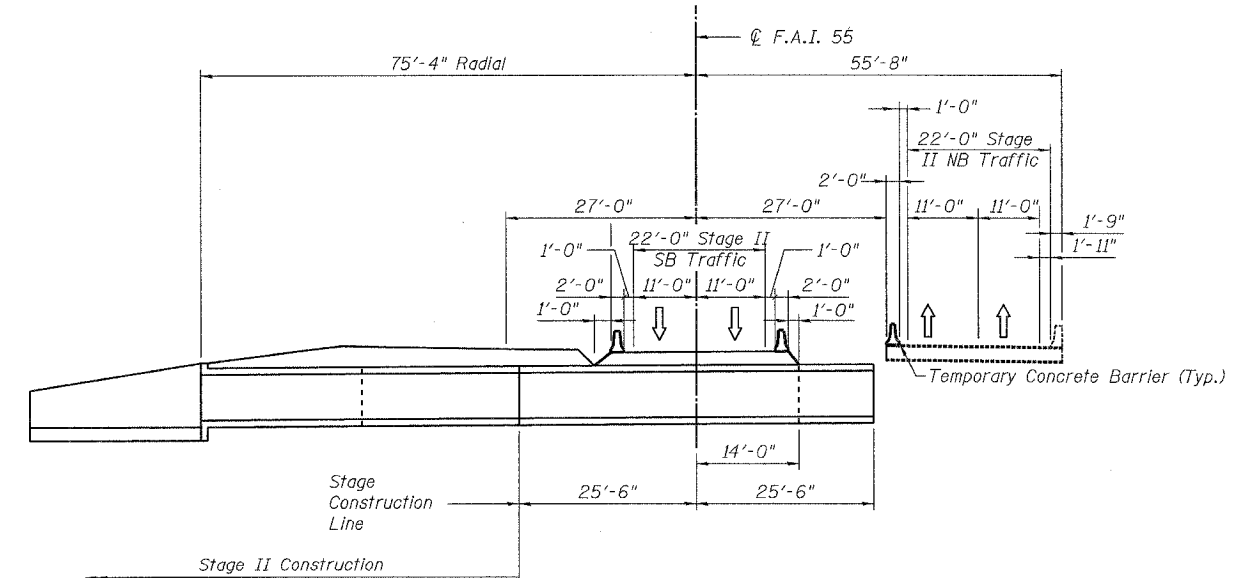
STAGE II REMOVAL

All dimensions measured radial to C of Roadway



STAGE I CONSTRUCTION

All dimensions measured radial to C of Roadway



STAGE II CONSTRUCTION

All dimensions measured radial to C of Roadway

DESIGNED	M Herding
CHECKED	N Fakroddin
DRAWN	M Williams
CHECKED	N Fakroddin



REVISIONS	
NAME	DATE

ILLINOIS DEPARTMENT OF TRANSPORTATION	
STAGE CONSTRUCTION DETAILS	
I-55 OVER	
LILY CACHE SLOUGH	
F.A.I. ROUTE 55 SECTION 2006-032 BY	
WILL COUNTY	
STA. 772+61.10	
SN 099-0407	
DATE	07-05-2006