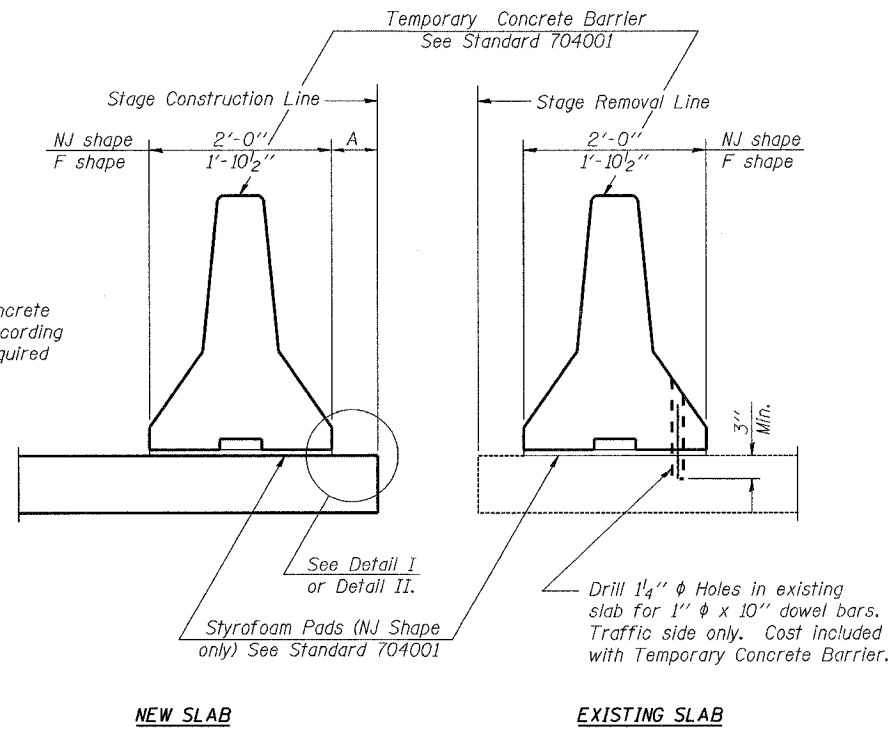


STATE OF ILLINOIS
DEPARTMENT OF TRANSPORTATION

ROUTE NO.	SECTION	COUNTY	DIST.	SHEET
F.A.I. 55	2006-032 BY	WILL	505	408
FED. ROAD DIST. NO.		ILLINOIS	FED. AID PROJECT	
CONTRACT #: 60B86				

SHEET NO. S-9
S-10 SHEETS

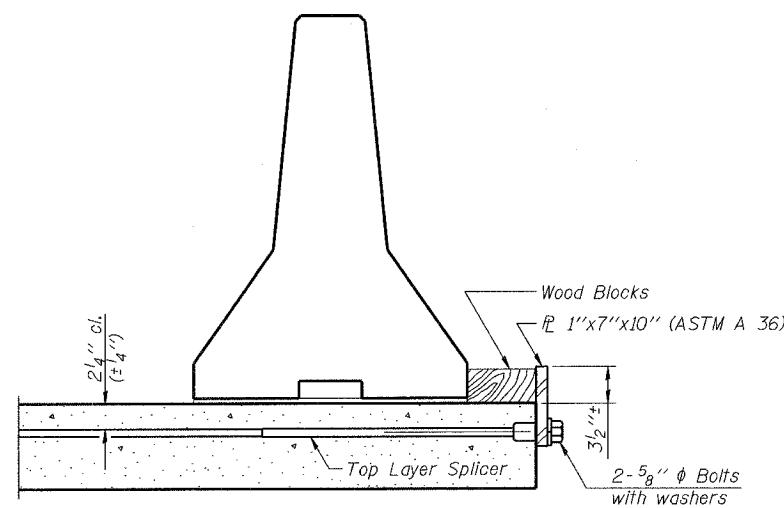


When "A" is 3'-6" or less, the temporary concrete barrier shall be anchored to the new slab according to Detail I or Detail II. No anchorage is required when "A" is greater than 3'-6".

NOTES

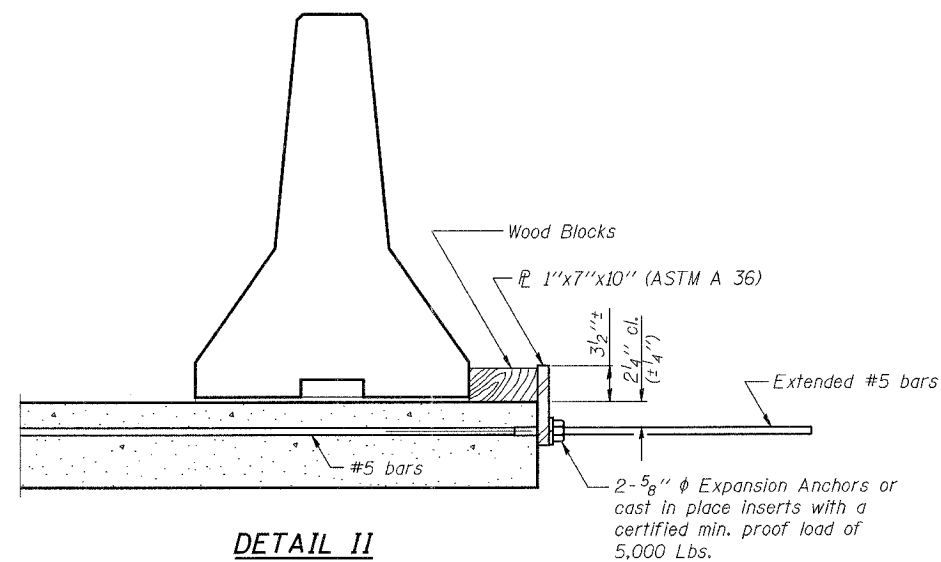
- Detail I - With Bar Splicer or Couplers:
Connect one (1) 1"x7"x10" steel \bar{P} to the top layer of couplers with 2-5/8" ϕ bolts screwed to coupler at approximate \bar{C} of each barrier panel.
- Detail II - With Extended Reinforcement Bars:
Connect one (1) 1"x7"x10" steel \bar{P} to the concrete slab with 2-5/8" ϕ Expansion Anchors or cast in place inserts spaced between the top layer of reinforcement at approximate \bar{C} of each barrier panel.
- Cost of anchorage is included with Temporary Concrete Barrier.

SECTIONS THRU SLAB



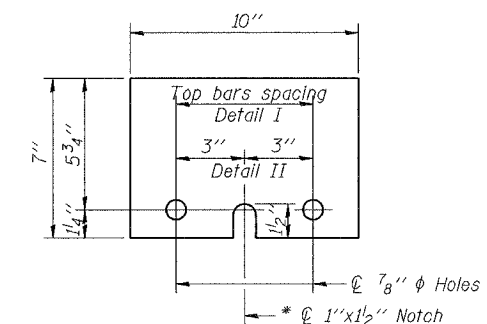
DETAIL I

The 1"x7"x10" Plate shall not be removed until Stage II Construction forms and reinforcement bars are in place.



DETAIL II

The 1"x7"x10" Plate shall not be removed until Stage II Construction forms and all reinforcement bars are in place and the concrete is ready to be placed.



1"x7"x10"

* Required only with Detail II

DESIGNED	M Harding
CHECKED	N Fekroddin
DRAWN	M Williams
CHECKED	N Fekroddin

R-27

10-22-04



REVISIONS	
NAME	DATE

ILLINOIS DEPARTMENT OF TRANSPORTATION
TEMPORARY CONCRETE BARRIER
FOR STAGE CONSTRUCTION
I-55 OVER
LILY CACHE SLOUGH
F.A.I. ROUTE 55 SECTION 2006-032 BY
WILL COUNTY
STA. 772+61.10
SN 099-0407
DATE 07-05-2006