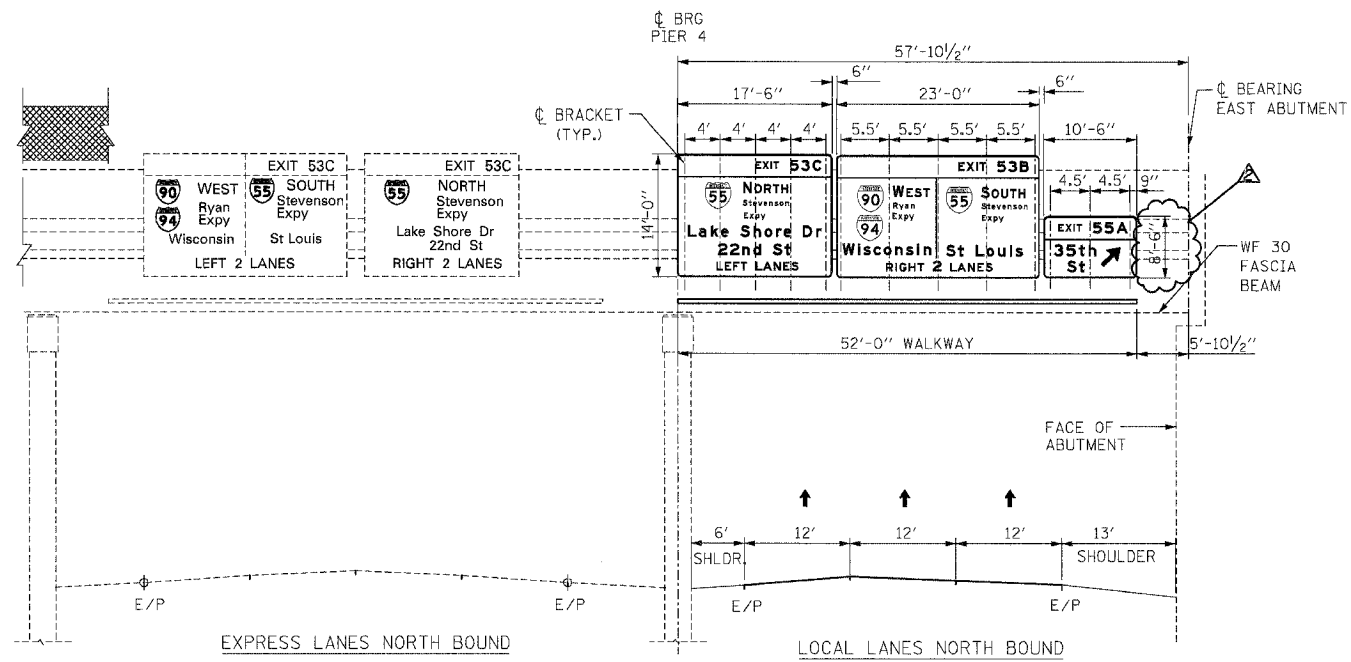
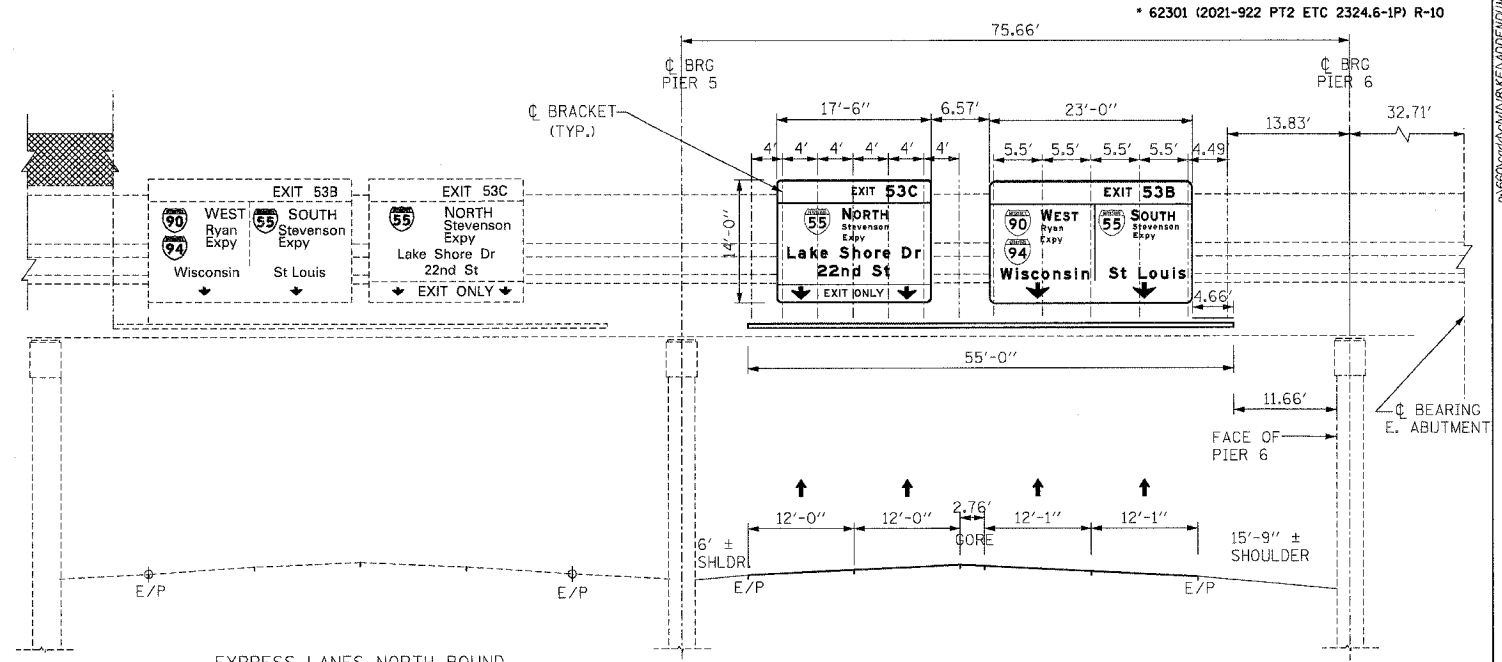


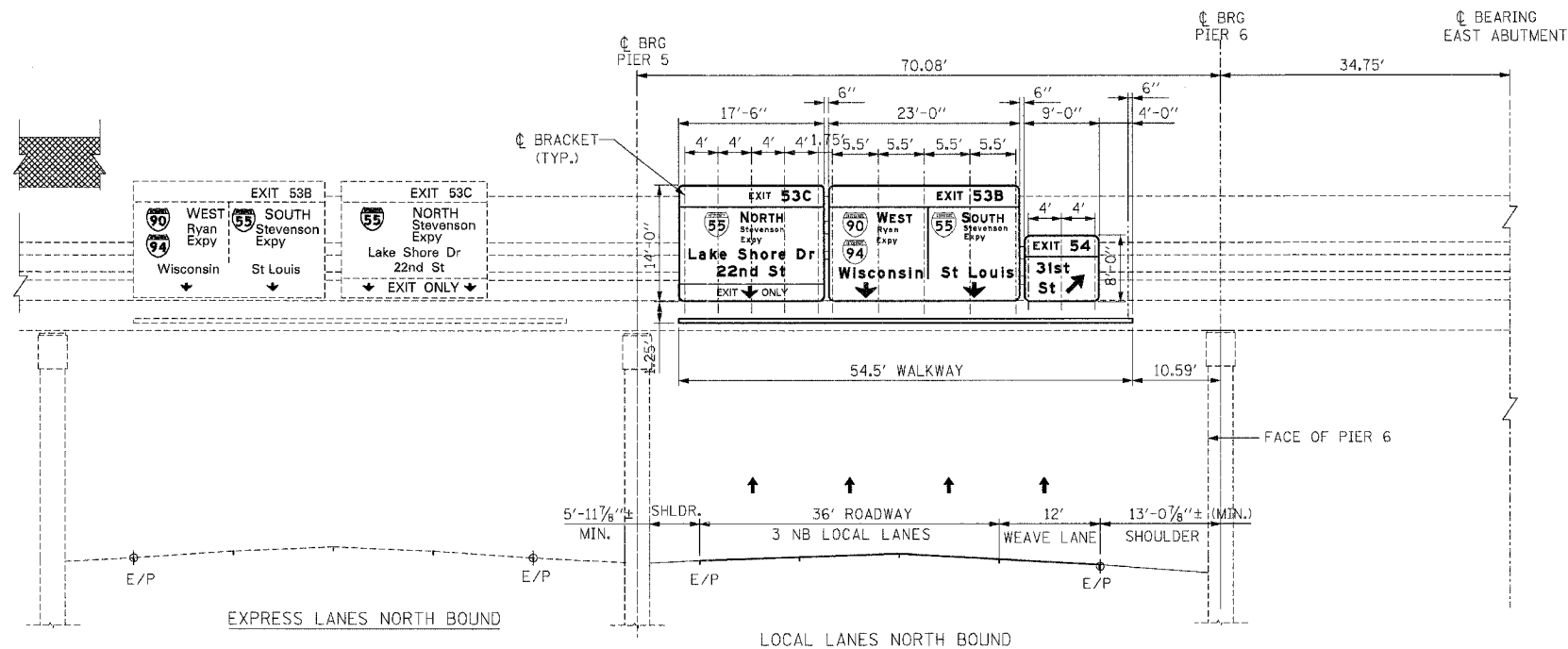
F.A.I. RTE.	SECTION	COUNTY	TOTAL SHEETS	SHEET NO.
94/90	•	COOK	565	253
STA.		TO STA.		
FED. ROAD DIST. NO.	ILLINOIS	FED. AID PROJECT		
* 62301 (2021-922 PT2 ETC 2324.6-1P) R-10				



PERSHING ROAD (39TH ST) BRIDGE ELEVATION  
 1B0161094L055.73  
 STA. 4582+26±



31st STREET BRIDGE ELEVATION  
 1B0161094L054.72  
 STA. 4635+47±



33rd STREET BRIDGE ELEVATION  
 1B0161094L054.97  
 STA. 4622+31±

REVISIONS		ILLINOIS DEPARTMENT OF TRANSPORTATION F.A.I. 90/94 (DAN RYAN EXPRESSWAY) GARFIELD BLVD TO 31ST STREET (NB LOCAL LANES) SIGN PLACEMENT DETAILS
NAME	DATE	
ADDENDUM 2	8/04/06	SCALE: NONE DATE: 06/09/06 DRAWN BY: RV MSA