

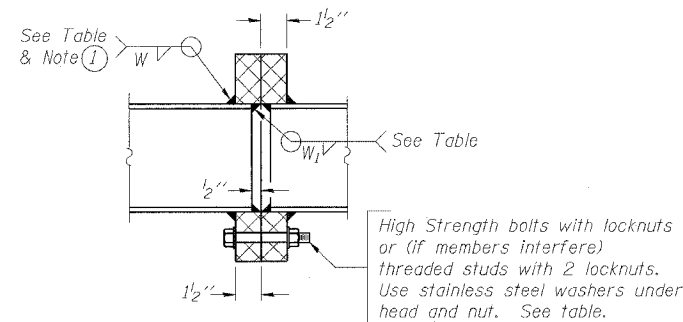
STATE OF ILLINOIS  
DEPARTMENT OF TRANSPORTATION

ROUTE NO.	SECTION	COUNTY	TOTAL SHEETS	SHEET NO.
F.A.I. RTE. 90/94		COOK	565	256
FED. ROAD DIST. NO. 1	ILLINOIS	FED. AID PROJECT-		

• (BIB, ETC, 2324-6-IP) R-10 62301

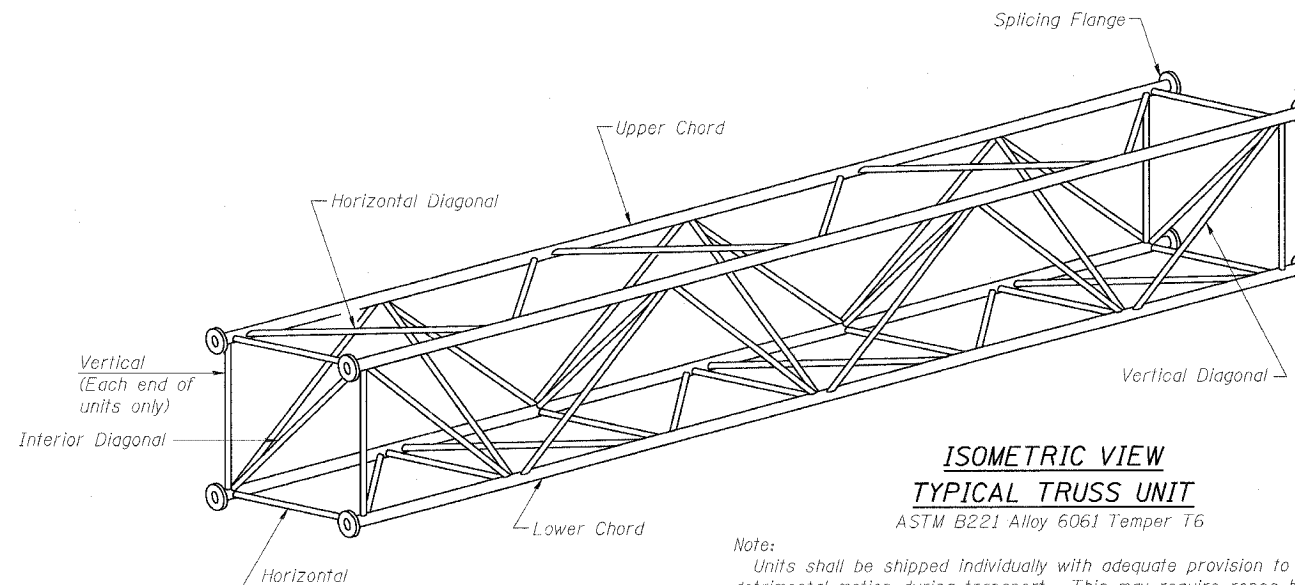
TRUSS UNIT TABLE

Structure Number	Station	Design Truss Type	Exterior Units (2)				Interior Unit				Upper & Lower Chord		Verticals; Horizontals; Vertical, Horizontal, and Interior Diagonals		Camber at Midspan	Splicing Flange					
			No. Panels per Unit	Unit Lgth.(L <sub>e</sub> )	Panel Lgth.(P)	No. Req'd.	No. Panels per Unit	Unit Lgth.(L <sub>i</sub> )	Panel Lgth.(P)	O.D.	Wall	O.D.	Wall	Bolts		Weld Sizes		A	B		
														No./Splice		Dia.	W			W <sub>1</sub>	
ISO161094L057.3	4498+00.00	I-A	7	33'-4 1/2"	4'-6"	0	--	--	--	5"	1/4"	2 1/2"	1/4"	1.50"	6	7/8"	5/16"	1/4"	8 3/4"	11 3/4"	
ISO161094L057.1	4506+75.00	I-A	7	34'-10"	4'-8 1/2"	0	--	--	--	5"	1/4"	2 1/2"	1/4"	1.65"	6	7/8"	5/16"	1/4"	8 3/4"	11 3/4"	
ISO161094L056.9	4518+40.00	II-A	6	33'-4 1/2"	5'-3"	1	6	32'-9"	5'-3"	6"	5/16"	3"	5/16"	3.00"	6	7/8"	3/8"	1/4"	10 1/4"	13 3/4"	
ISO161094L056.60	4535+80.00	II-A	7	37'-9"	5'-1 1/2"	--	--	--	--	5 1/2"	5/16"	3"	5/16"	1.70"	6	7/8"	3/8"	1/4"	9 1/4"	12 1/4"	
ISO161094L056.43	4545+35.00	I-A	7	34'-3"	4'-7 1/2"	--	--	--	--	5"	1/4"	2 1/2"	1/4"	1.60"	6	7/8"	5/16"	1/4"	8 3/4"	11 3/4"	
ISO161094L055.94	4571+00.00	I-A	8	39'-10 1/2"	4'-9"	--	--	--	--	5"	5/16"	2 1/2"	5/16"	2.15"	6	7/8"	5/16"	1/4"	8 3/4"	11 3/4"	
ISO161094L055.41	4599+00.00	III-A	7	35'-8 1/2"	4'-10"	--	--	--	--	7"	5/16"	3 1/4"	5/16"	1.75"	6	1"	5/16"	5/16"	11 1/2"	15"	

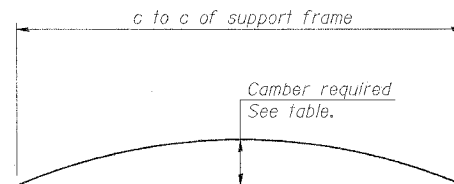


SECTION B-B

1 Splicing Flanges shall be attached to each truss unit with the truss shop assembled to camber shown. Truss units shall be in proper alignment and flange surfaces shall be shop bolted into full contact before welding. Sufficient external welds or tacks shall be made to secure flanges until remaining welds are made after disassembly. Adjacent flanges shall be "match marked" to insure proper field assembly.

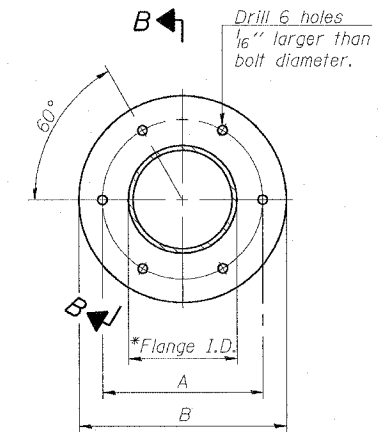
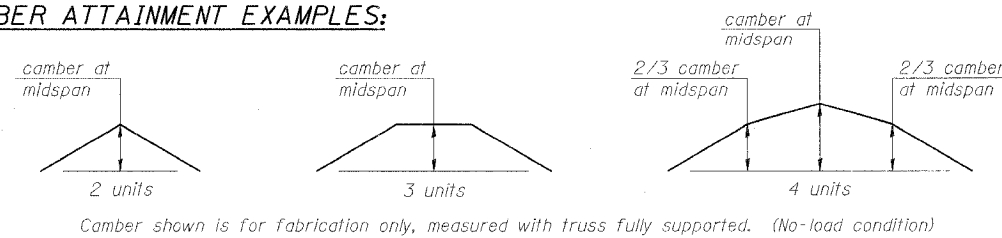


Note:  
Units shall be shipped individually with adequate provision to prevent detrimental motion during transport. This may require ropes between horizontals and diagonals or energy dissipating (elastic) ties to the vehicle. The Contractor is responsible for maintaining the configuration and protection of the units.

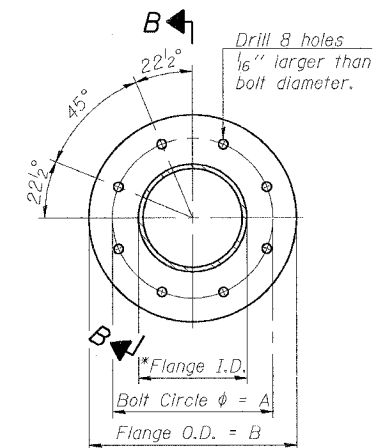


CAMBER DIAGRAM

CAMBER ATTAINMENT EXAMPLES:



TRUSS TYPES I-A, II-A, & III-A



TRUSS TYPES II-A & III-A

SPLICING FLANGES

ASTM B221, Alloy 6061-T6  
or ASTM B209, Alloy 6061-T651

\*To fit O.D. of Chord with maximum gap of 1/16".

NUMBER	REVISION	DATE
1	Dimensions	7/21
2	MSA/AS	8/7/06

DESIGNED	JSS
CHECKED	RDP
DRAWN	JSS
CHECKED	RDP

EXAMINED	20
PASSED	ENGINEER OF STRUCTURAL SERVICES
	ENGINEER OF BRIDGES AND STRUCTURES

OS4-A-2

1-7-05

OVERHEAD SIGN STRUCTURES  
ALUMINUM TRUSS DETAILS  
FOR TRUSS TYPES I-A, II-A and III-A

F.A.I. 90/94 (DAN RYAN EXPRESSWAY)  
GARFIELD BLVD TO 31ST STREET (NB LOCAL LANES)  
PROPOSED IMPROVEMENT  
GARFIELD BLVD TO 31ST STREET

SGN-14

P:\P\0666\CONTR\CONTR 18 & 19\SH\CHT 18\Signing\SS180142A.dgn 08/08/2006 02:45:01 PM