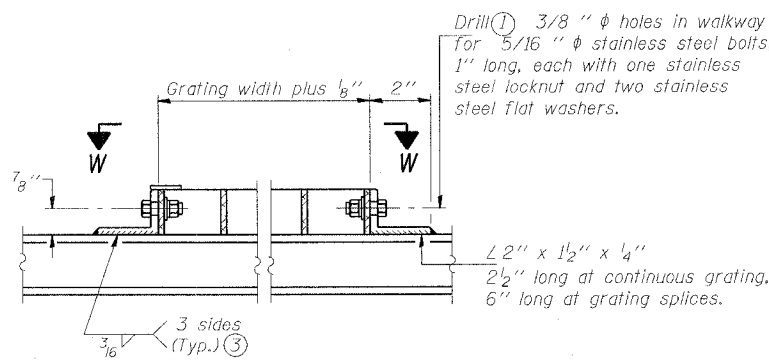
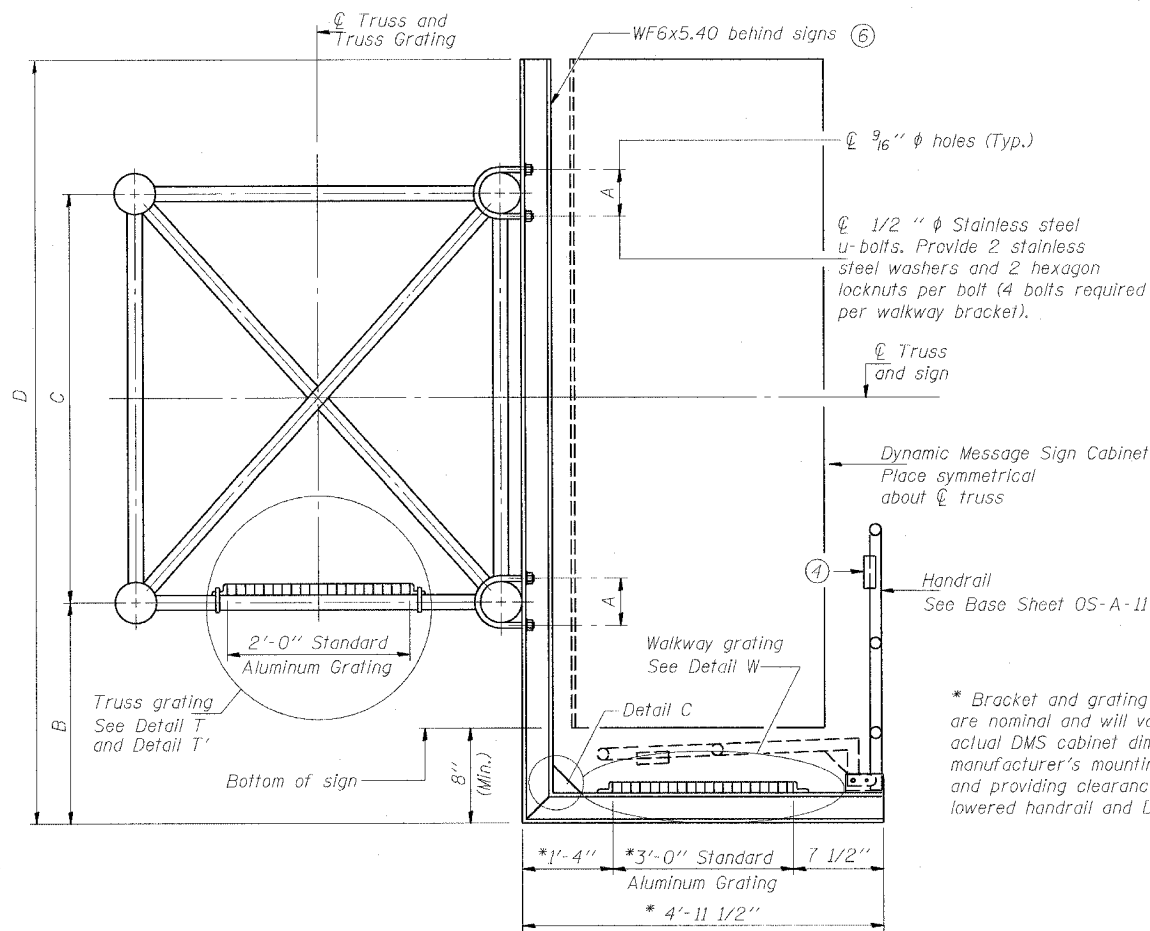


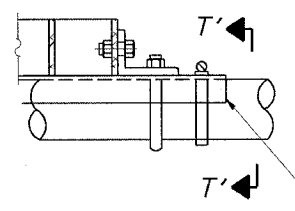
STATE OF ILLINOIS  
DEPARTMENT OF TRANSPORTATION

ROUTE NO.	COUNTY	SECTION	SHEET
94/90	COOK	565	268
FED. ROAD DIST. NO. 1	ILLINOIS	FED. AID PROJECT-	

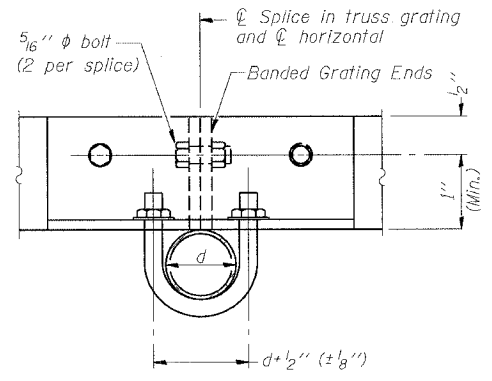
\* 62301 (2021-922 PT2 ETC 2324.6-IP) R-10



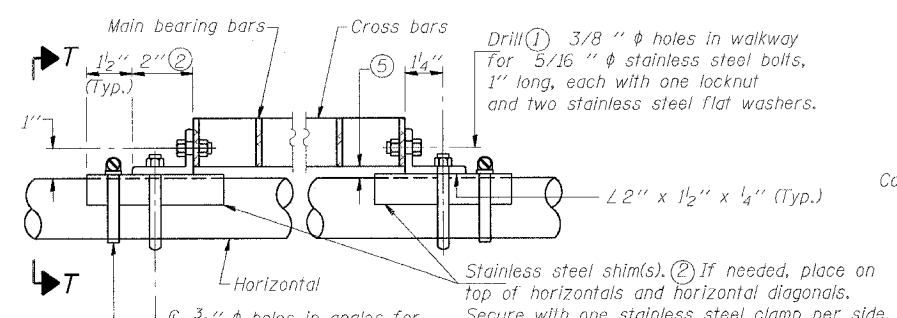
**DETAIL W**  
(Walkway grating)



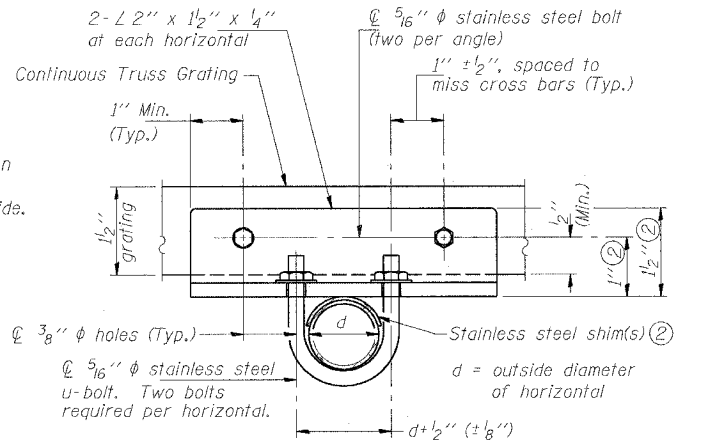
**DETAIL T'**  
(Truss grating splice)  
Details not shown same as Detail T.  
Alternate materials may be used subject to the Engineer's review and approval.



**SECTION T'-T'**



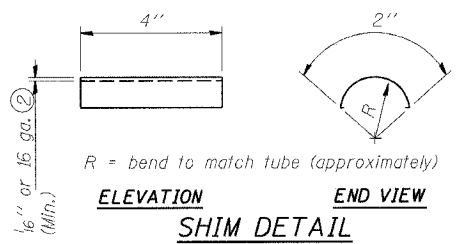
**DETAIL T**  
(Continuous Truss grating)



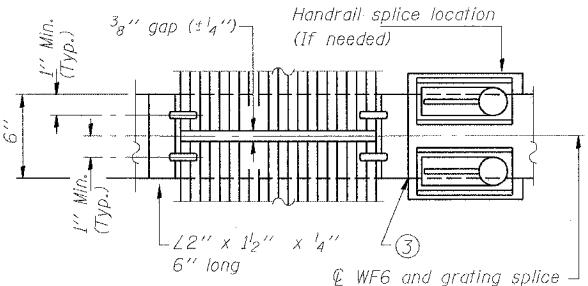
**SECTION T-T**

\* Bracket and grating dimensions are nominal and will vary based on actual DMS cabinet dimensions plus manufacturer's mounting devices, and providing clearance between the lowered handrail and DMS cabinet.

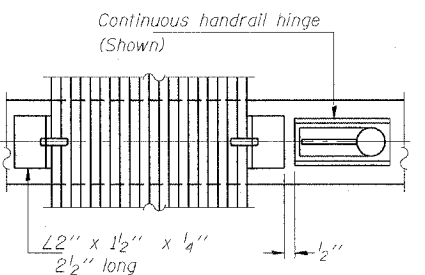
**SECTION B-B**



**SHIM DETAIL**



**(AT WALKWAY GRATING SPLICE)**



**SECTION W-W**

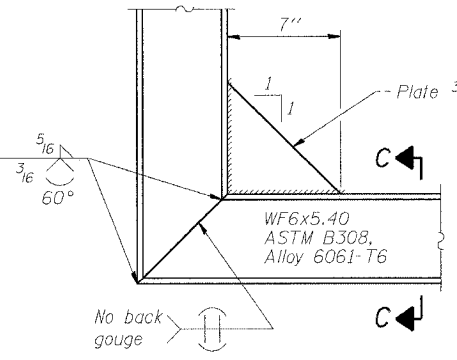
**SPECIFICATIONS FOR STANDARD ALUMINUM GRATING**

Main Bearing Bars shall be 3/16" x 1 1/2" on 1 3/16" centers and conform to ASTM B221 Alloy 6061-T6.  
Cross bars shall be 3/16" x 1 1/2" on 4" centers and conform to ASTM B221 Alloy 6063-T5 or 6061-T6.

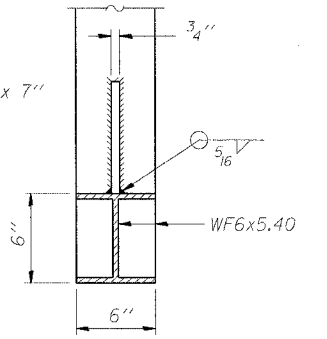
**OR**

Aluminum Grating with modified "4" sections for main bearing bars shall meet the following requirements:  
Main bars shall conform to ASTM B221 Alloy 6061-T6 and have a minimum section modulus equal to 0.0705 in.<sup>3</sup> per bar, a depth of 1 1/2", spaced on 1 3/16" centers.  
Cross bars shall conform to ASTM B221 Alloy 6063-T5 or T-42 and spaced on 4" centers.

Structure Number	Station	A	B	C	D
ISO161094L055.41	4599+00	7 1/2"	1'-5"	7'-0"	9'-2"



**DETAIL C**



**SECTION C-C**

DESIGNED	AC
CHECKED	AS
DRAWN	RV
CHECKED	MSA

EXAMINED	19
PASSED	ENGINEER OF STRUCTURAL SERVICES
	ENGINEER OF BRIDGES AND STRUCTURES

NUMBER	REVISION	DATE
1	MSA/AS	8/7/06

OS-A-10-DMS2 1/7/2005

**OVERHEAD SIGN STRUCTURES  
ALTERNATE ALUMINUM WALKWAY DETAILS  
FOR DMS**

ILLINOIS DEPARTMENT OF TRANSPORTATION  
F.A.I. 94/90 (DAN RYAN EXPRESSWAY)  
GARFIELD BLVD TO 31ST STREET (NB LOCAL LANES)  
OVERHEAD SIGN STRUCTURES  
(SPAN)

SGN-26