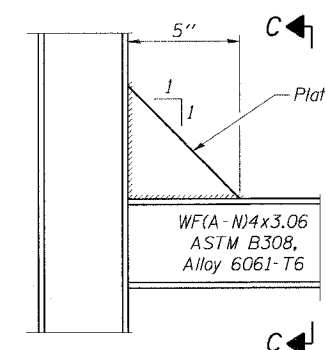
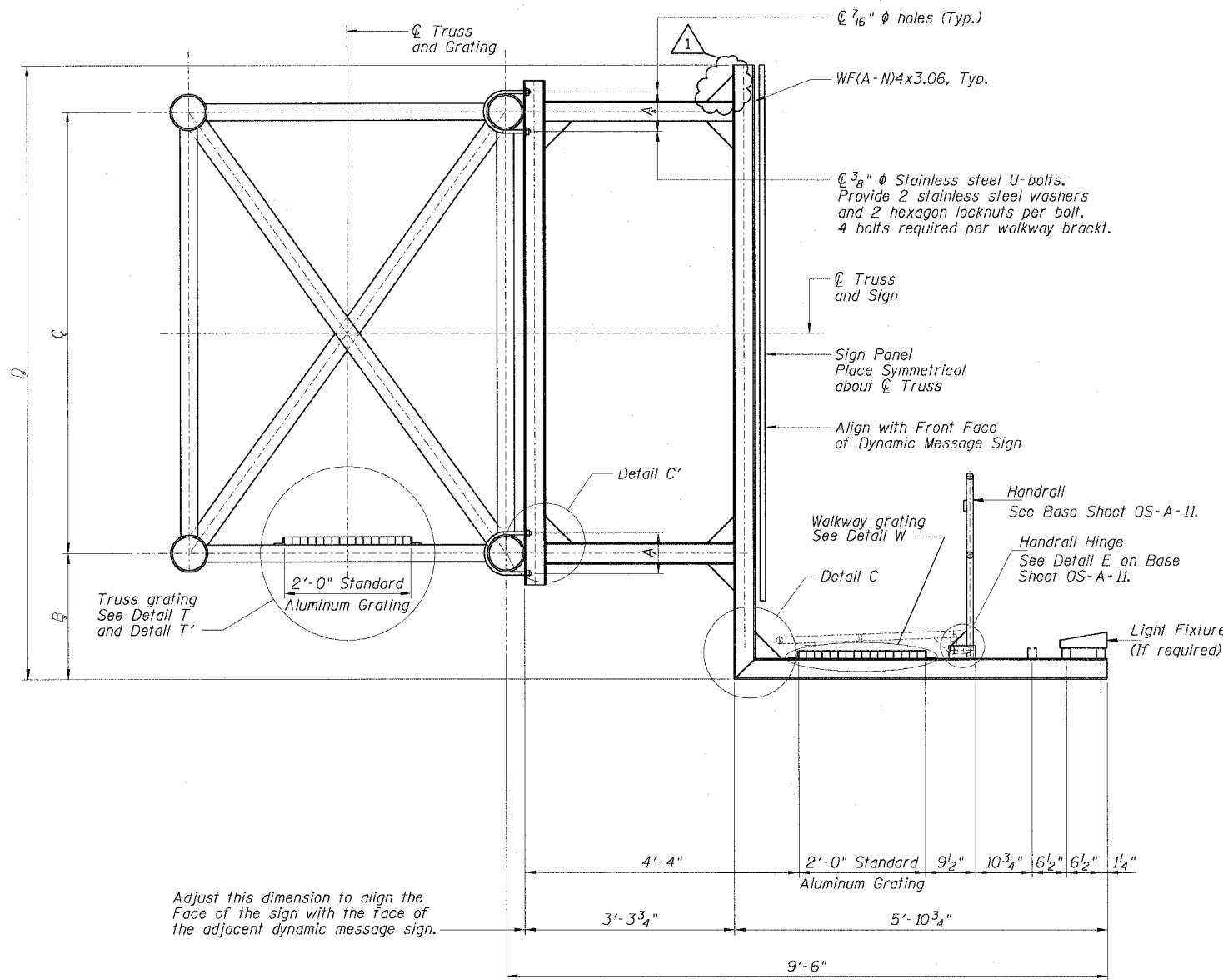
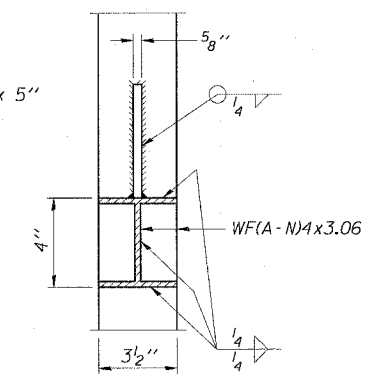


STATE OF ILLINOIS
DEPARTMENT OF TRANSPORTATION

ROUTE NO.	COUNTY	TOTAL SHEETS	SHEET NO.
94/90	COOK	565	269A
FED. ROAD DIST. NO. 1		ILLINOIS	FED. AID PROJECT-
* 62301 (2021-922 PT2 ETC 2324.6-1P) R-10			



DETAIL C'



SECTION C-C

SECTION B'''-B'''

SGN-27A

OVERHEAD SIGN STRUCTURES
ALTERNATE ALUMINUM WALKWAY DETAILS
FOR DMS

REVISIONS	
NAME	DATE
ADDENDUM 2	8/7/06

ILLINOIS DEPARTMENT OF TRANSPORTATION
F.A.I. 90/94 (DAN RYAN EXPRESSWAY)
GARFIELD BLVD TO 31ST STREET (NB LOCAL LANES)
PROPOSED IMPROVEMENT
GARFIELD BLVD TO 31ST STREET

DESIGNED - JAS	EXAMINED _____ 20
CHECKED - ROP	PASSED _____
DRAWN - JBS	ENGINEER OF STRUCTURAL SERVICES
CHECKED - RDR	ENGINEER OF BRIDGES AND STRUCTURES

MODIFIED BY CTE ENGINEERS, INC FROM OS-A-9-DMS2

F:\P\4669\CH\NB-Chits 18 & 19\SI\CH\18\Signing\SS1802\269A.DWG 08/08/2006 01:22:02 PM