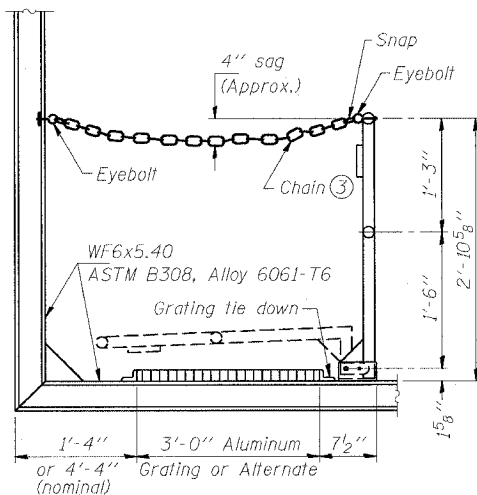


STATE OF ILLINOIS  
DEPARTMENT OF TRANSPORTATION

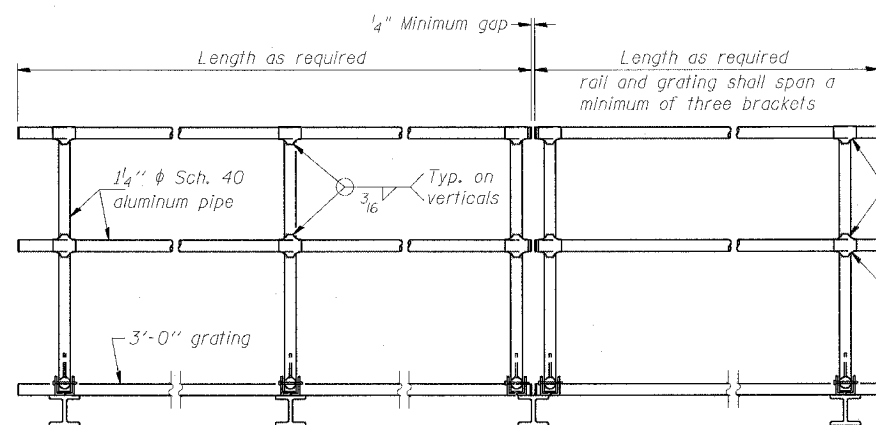
② Horizontal handrail member shall be continuous thru fitting. Provide  $\frac{7}{16}$ "  $\phi$  hole in fitting for  $\frac{3}{8}$ "  $\phi$  bolt. Field drill  $\frac{1}{16}$ "  $\phi$  hole in horizontal rail member. Provide washer and locknut for bolt. (Use  $\frac{5}{16}$ " eyebolts in  $\frac{7}{16}$ "  $\phi$  holes on top rail at ends only.)

ROUTE NO.	SECTION	COUNTY	TOTAL SHEETS	SHEET NO.
90/94	*	COOK	565	270
FED. ROAD DIST. NO. 1	ILLINOIS	FED. AID PROJECT		
62301 (2021-922 PT2 ETC 2324.6-1PI) R-10				



**SIDE ELEVATION**

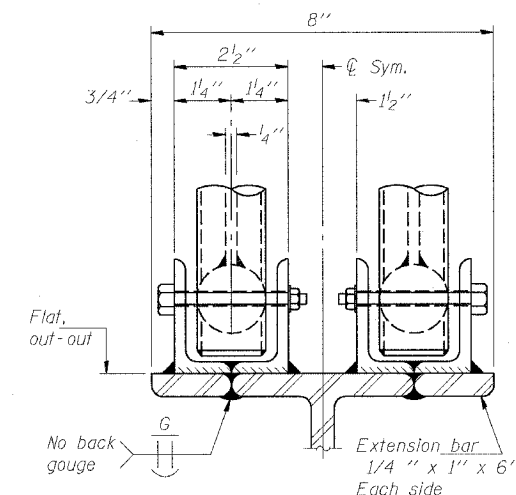
(Showing safety chain w/o sign)



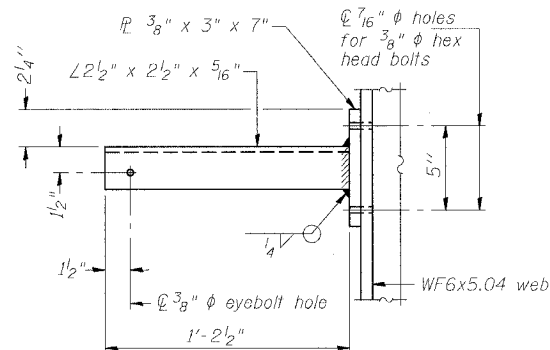
**FRONT ELEVATION**

**HANDRAIL DETAILS**

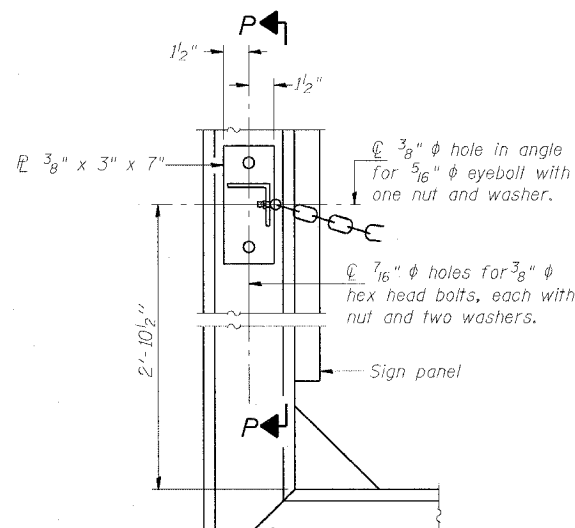
Handrail pipe shall be ASTM B241, Alloy 6063-T6 or Alloy 6061-T6.



**ELEVATION AT HANDRAIL JOINT** ④



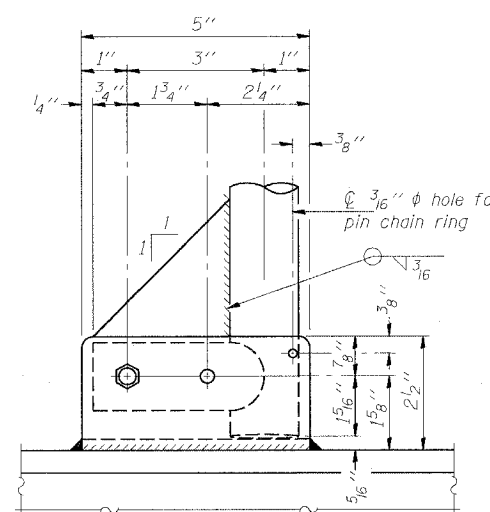
**SECTION P-P**



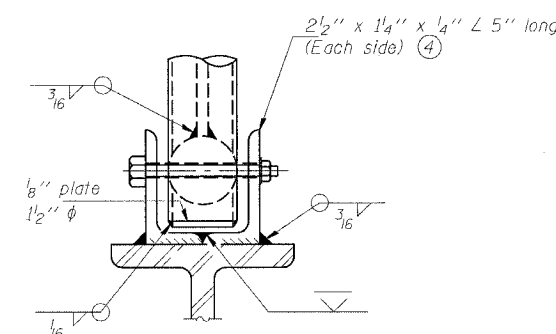
**ALTERNATE SAFETY CHAIN ATTACHMENT**

(With Sign Present)

Items not shown same as "Side Elevation" of "Handrail Details"

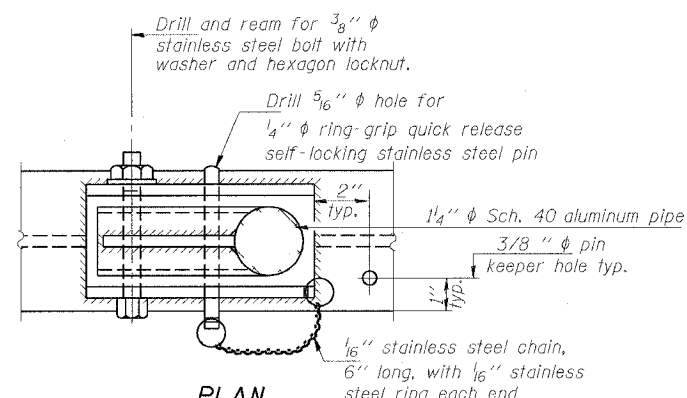


**SIDE ELEVATION**

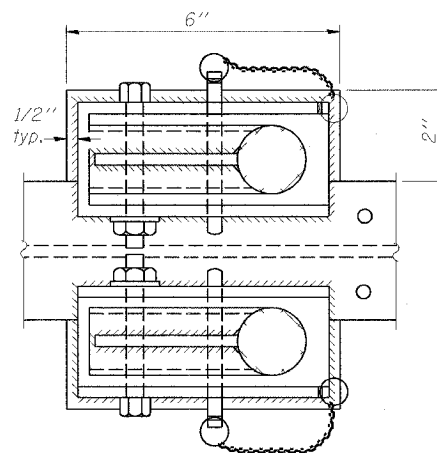


**FRONT ELEVATION**

See "ELEVATION" at right for dimensions.

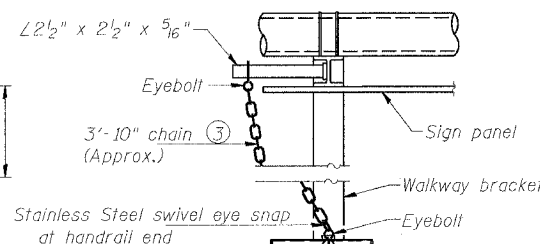


**PLAN  
DETAIL E HANDRAIL HINGE**



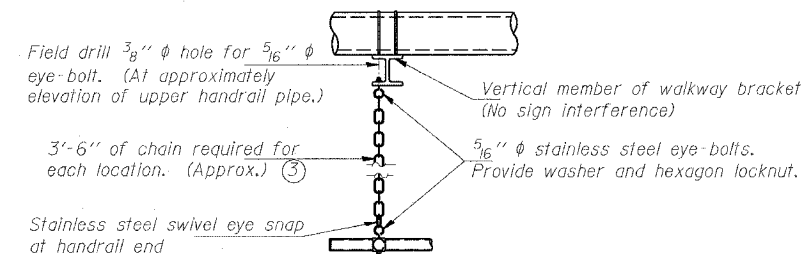
**PLAN AT HANDRAIL JOINT**

Details not shown same as "PLAN"



**ALTERNATE SAFETY CHAIN ATTACHMENT**

Details not shown similar to "Safety Chain" Details (Walkway omitted for clarity)



**SAFETY CHAIN**

One required for each end of each walkway.

DESIGNED	AC
CHECKED	AS
DRAWN	RV
CHECKED	MSA

EXAMINED	19
PASSED	ENGINEER OF BRIDGE DESIGN
	ENGINEER OF BRIDGES AND STRUCTURES

NUMBER	REVISION	DATE
1	MSA/AS	8/7/06

OS-A-11-DMS2 1/7/2005

SGN-28  
**OVERHEAD SIGN STRUCTURES  
ALTERNATE ALUMINUM HANDRAIL DETAILS**  
ILLINOIS DEPARTMENT OF TRANSPORTATION  
F.A.I. 94/90 (DAN RYAN EXPRESSWAY)  
GARFIELD BLVD TO 31ST STREET (NB LOCAL LANES)  
**OVERHEAD SIGN STRUCTURES  
(SPAN)**