

• 62301 (2021-922 PT2 ETC 2324.6-1P) R-10

For anchor rod size and placement, see Support Frame Detail Sheet.

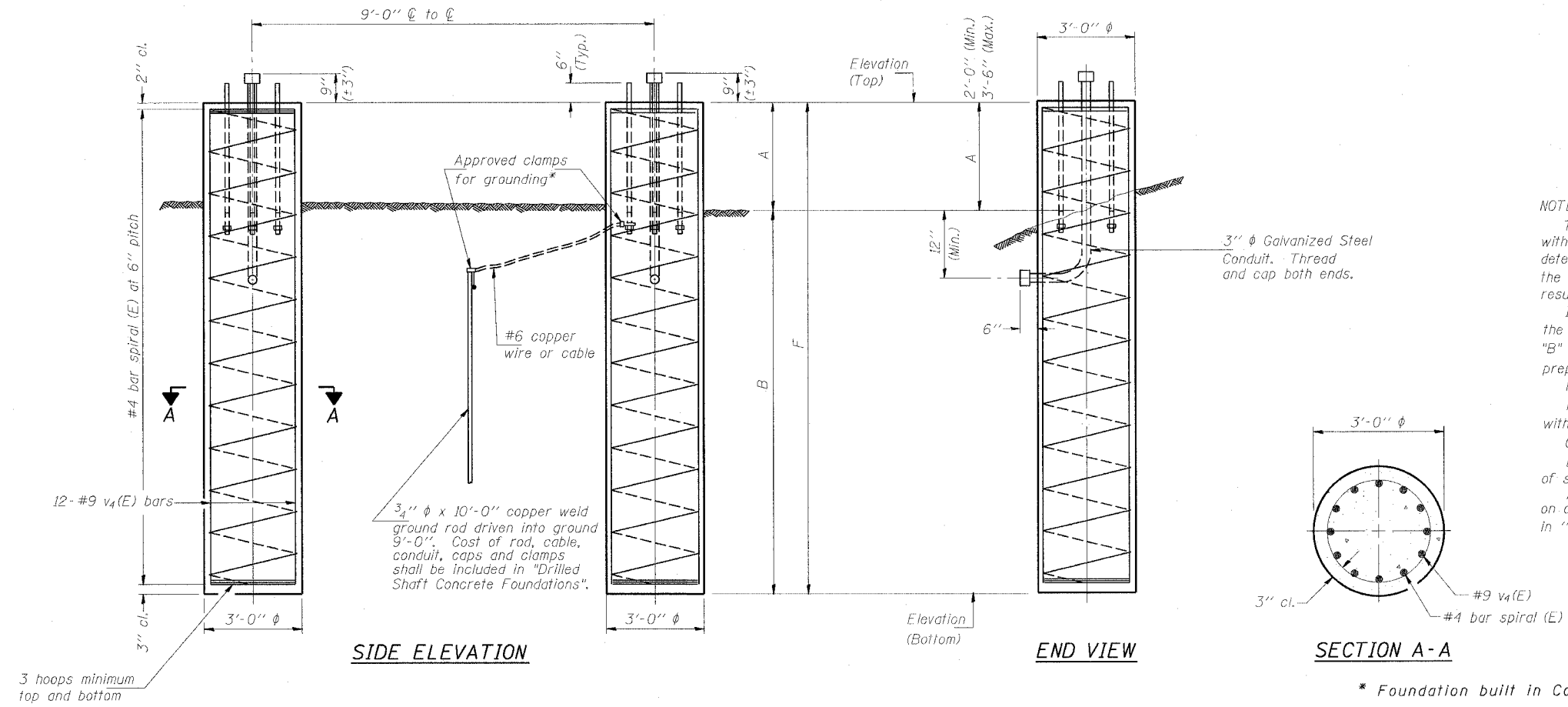
*Anchor rod shall be ground or filled to bright metal at clamp and cable connection location.

BAR LIST - EACH FOUNDATION

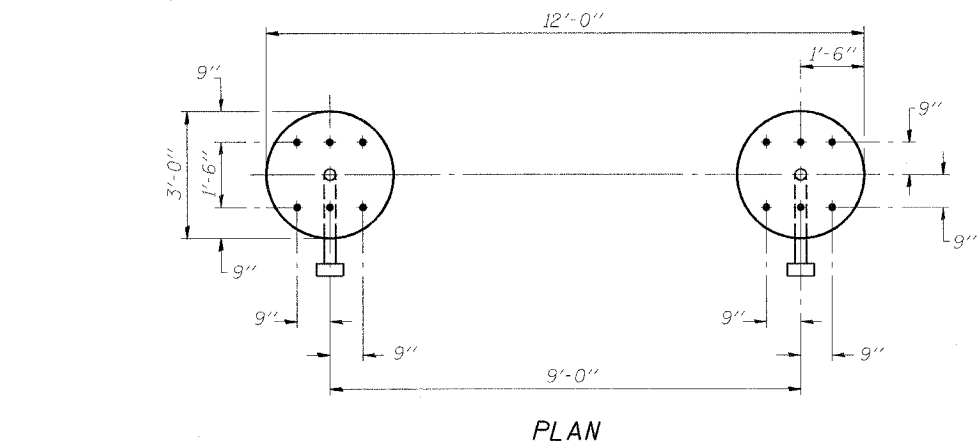
Bar	Number	Size	Length	Shape
v4(E)	24	#9	F less 5"	
#4 bar spiral (E) - see "SIDE ELEVATION"				

NOTES:

- The foundation dimensions shown are based on the presence of mostly cohesive soils with an average Unconfined Compressive Strength (Qu) of at least 1.25 tsf, which must be determined by previous soil investigations at the jobsite. When other conditions are indicated, the boring data will be included in the plans and the foundation dimensions shown will be the result of site specific designs.
- If the conditions encountered are different than those indicated, the Contractor shall notify the Engineer to determine if the foundation dimensions need to be modified. If dimensions "B" or "F" are revised by more than 12" by the Contractor, "as-built" plans shall be prepared and submitted to the District Bureau of Operations for future reference.
- No sonotubes or decomposable forms shall be used below the lower conduit entrance.
- Permanent metal forms or other shielding may not be left in place below that elevation without the Engineer's written permission.
- Concrete shall be placed monolithically, without construction joints.
- Backfill shall be placed per Article 502 of Standard Specification and prior to erection of support column.
- A normal surface finish followed by a Bridge Seat Sealer application will be required on concrete surfaces above the lowest elevation 6" below finished ground line. Cost included in "Drilled Shaft Concrete Foundation".



Structure Number	Station	Left Foundation			Right Foundation			Class SI Concrete (Cu. Yds.)				
		Elevation Top	Elevation Bottom	A	B	F	Elevation Top		Elevation Bottom	A	B	F
IS0161094L055.41	4599+00	-	-	-	-	-	14.50'	-6.00'	2.50'	18.00'	20.50'	10.70



DESIGNED	AC
CHECKED	AS
DRAWN	RV
CHECKED	MSA

EXAMINED	20
PASSED	

NUMBER	REVISION	DATE
1	MSA/AS	8/7/06

**DETAILS FOR 12" φ SUPPORT FRAME
TYPE III-A TRUSS**

MODIFIED BY CTE ENGINEERS, INC. FROM OS4-F4 1/7/05

SGN-31

**OVERHEAD SIGN STRUCTURES
DRILLED SHAFT DETAILS**

ILLINOIS DEPARTMENT OF TRANSPORTATION
F.A.I. 94/90 (DAN RYAN EXPRESSWAY)
GARFIELD BLVD TO 31ST STREET (NB LOCAL LANES)
OVERHEAD SIGN STRUCTURES
(SPAN)

08/08/2006 01:27:10 PM