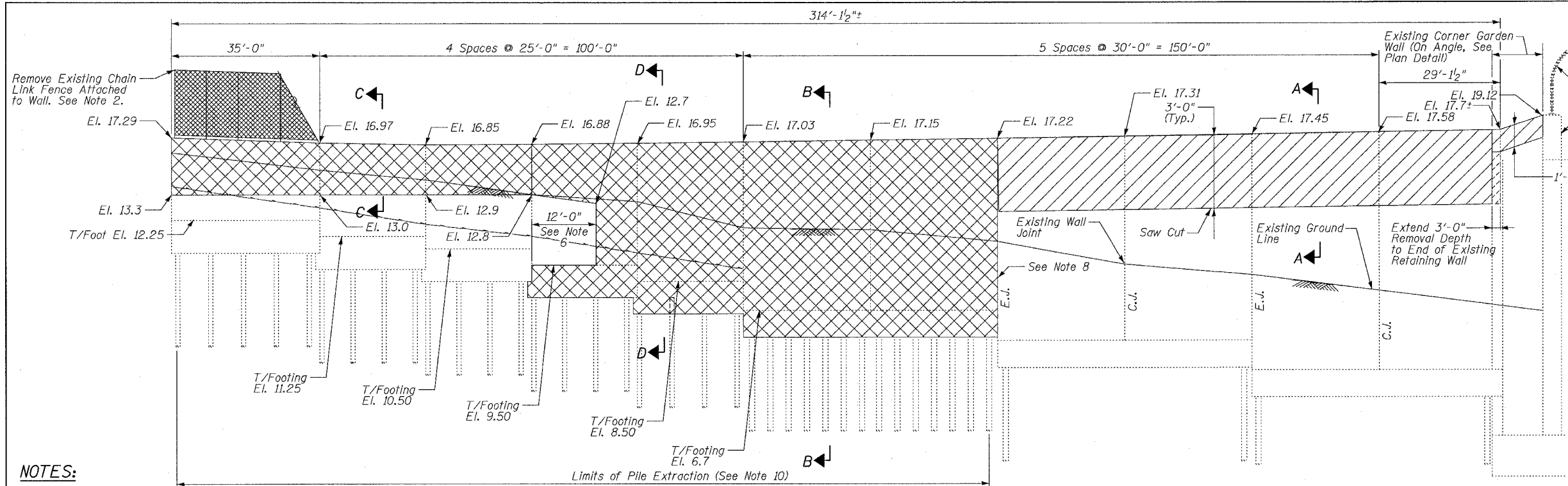


F.A.I.	SECTION	COUNTY	TOTAL SHEETS	SHEET NO.
94/90	*	COOK	565	375
STA.		TO STA.		
FED. ROAD DIST. NO.		ILLINOIS FED. AID PROJECT		
62301		*12021-922 PT2 ETC 2324.6-IP1 R-10		



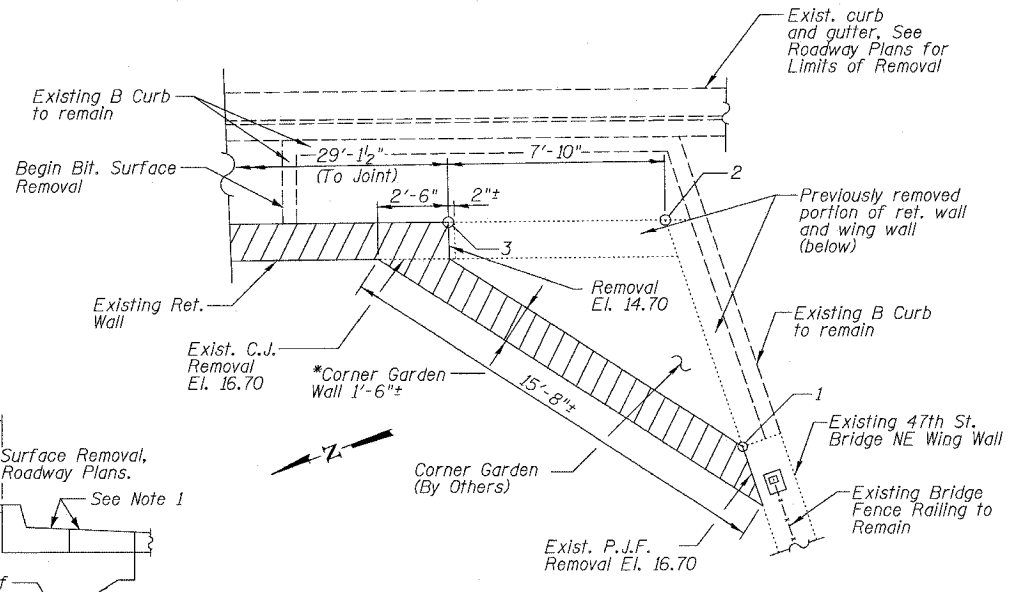
LEGEND

	- Concrete Removal
	- Removal of Existing Structures

NOTES:

- See Roadway Plans for Curb and Gutter and Pavement Removal and Replacement Limits.
- Cost of Chain Link Fence Removal included with Removal of Existing Structures or Concrete Removal as appropriate.
- Existing vertical reinforcement bars shall be cleaned, straightened, and incorporated into new construction. Horizontal reinforcement bars shall be removed. Cost included with "Concrete Removal."
- Existing vertical reinforcement can be cut-off at removal line.
- See Roadway Plans for payment of excavations, not included in structure excavation.
- Contractor only has to remove portion of existing stem and footing in conflict with proposed wall and pavement construction.
- No structure excavation paid over limits of Removal of Existing Structure.
- Contractor shall maintain existing wall underdrain to remain and cap end as necessary.
- See Sheet 8 for Temporary Soil Retention Details.
- Where existing stem and footing are not to be entirely removed, Contractor must still sufficiently remove piles marked for extraction.

FRONT FACE ELEVATION - EXIST. RETAINING WALL



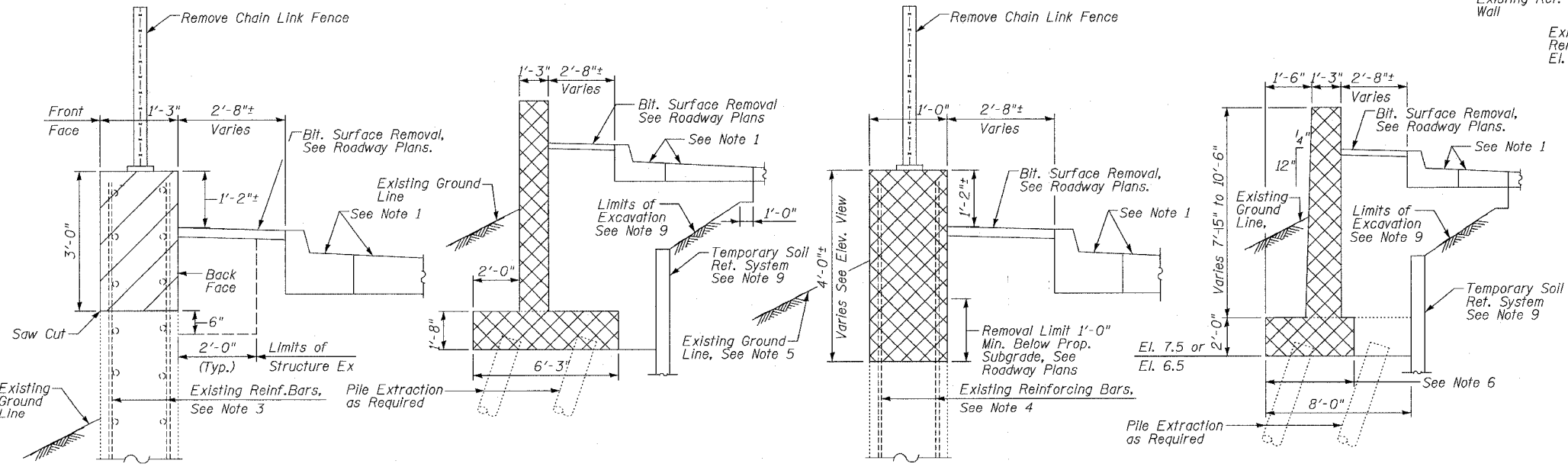
PLAN DETAIL - CORNER GARDEN

See Offset Sketch for Point Designations on Sheet 8
 *Remove any fencing attached to Wall, cost included with Concrete Removal.

BILL OF MATERIAL

Item	Unit	Quantity
Removal of Existing Structures	Each	1
Concrete Removal	Cu. Yd.	18
Structure Excavation	Cu. Yd.	101
Pile Extraction	Each	20

SHEET 3 OF 24



SECTION A-A
(Looking North)

SECTION B-B
(Looking North)

SECTION C-C
(Looking North)

SECTION D-D
(Looking North)

BOWMAN, BARRETT & ASSOCIATES INC.
 CONSULTING ENGINEERS
 Chicago, Illinois
 312.228.0100
 www.bbainc.com

REVISIONS

NAME	DATE
ADDENDUM 2	8/04/06

ILLINOIS DEPARTMENT OF TRANSPORTATION
 F.A.I. 94/90 (DAN RYAN EXPRESSWAY)
 GARFIELD BLVD TO 31ST STREET (NB LOCAL LANES)
 COOK COUNTY
 STA. 4529+75.90 TO STA. 4537+30.74
 RETAINING WALL N-47N-R
 REMOVAL PLAN & DETAILS
 S.N. 016-W977
 SCALE: NTS
 DATE: JUNE 9, 2006
 DRAWN BY: MTR
 CHECKED BY: BLU

8/10/2006 3:58:47 PM