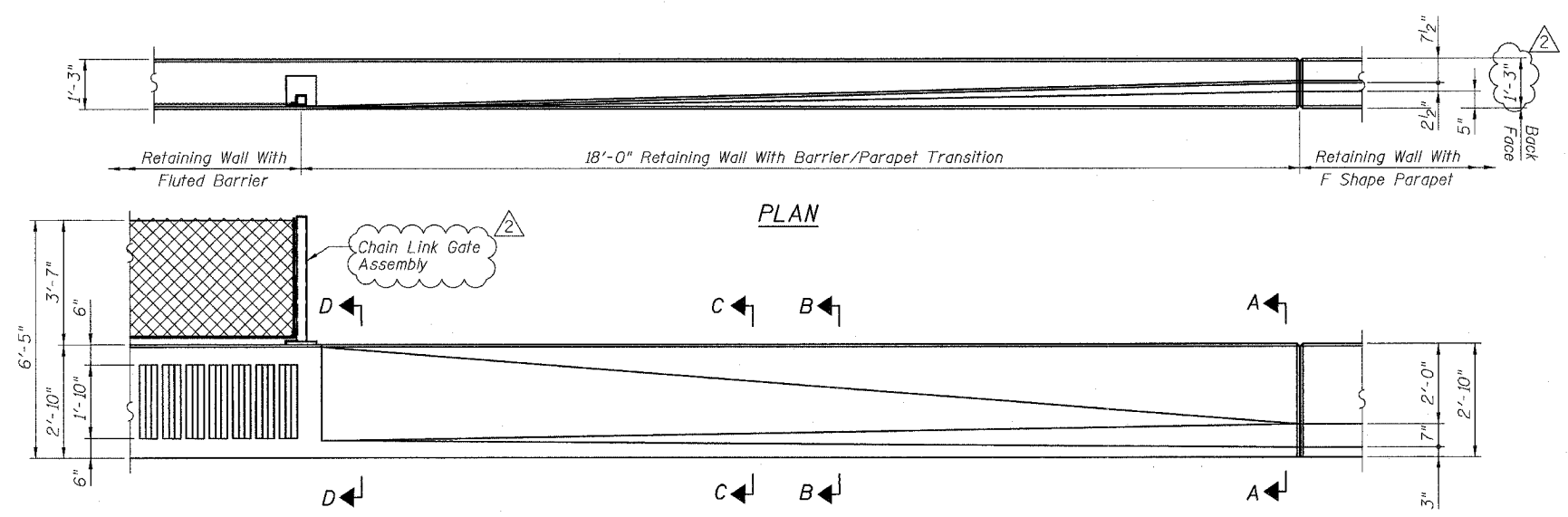
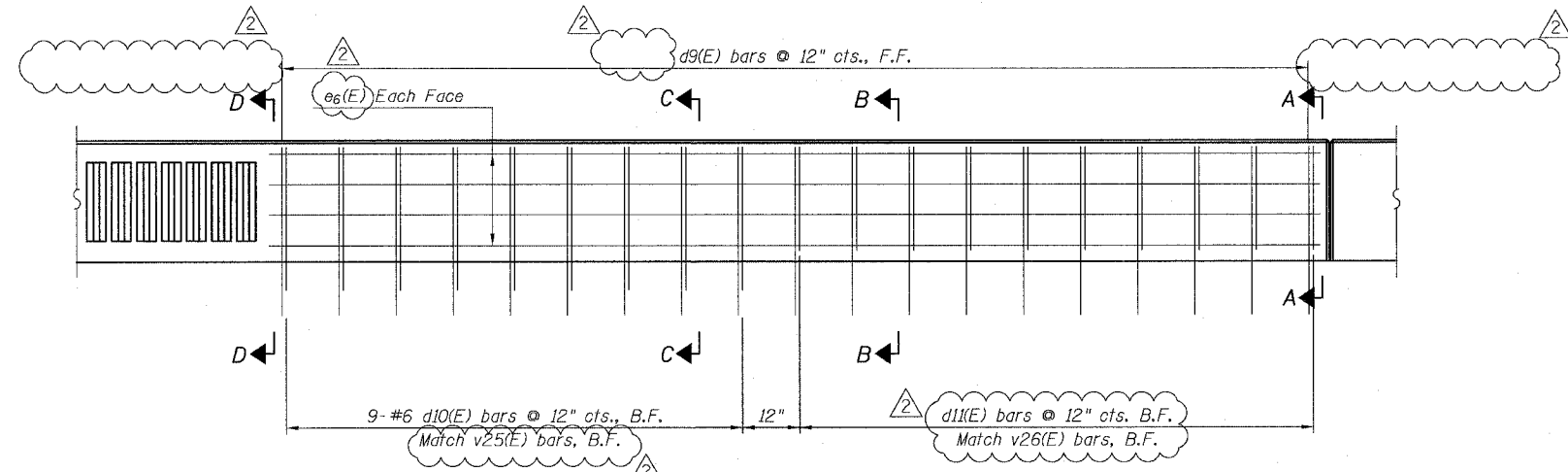


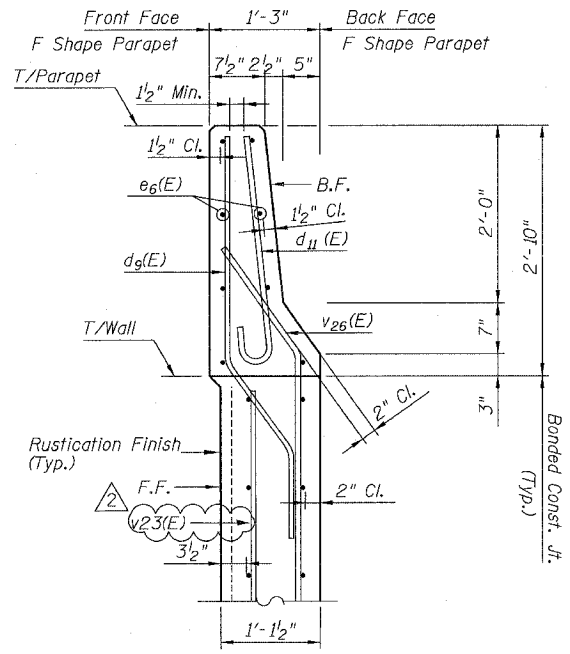
F.A.I.	SECTION	COUNTY	TOTAL SHEETS	SHEET NO.
94/90	*	COOK	565	387
STA. TO STA.				
FED. ROAD DIST. NO. ILLINOIS FED. AID PROJECT				
62301 * (2021-922 PT2 ETC 2324.6-1P) R-10				



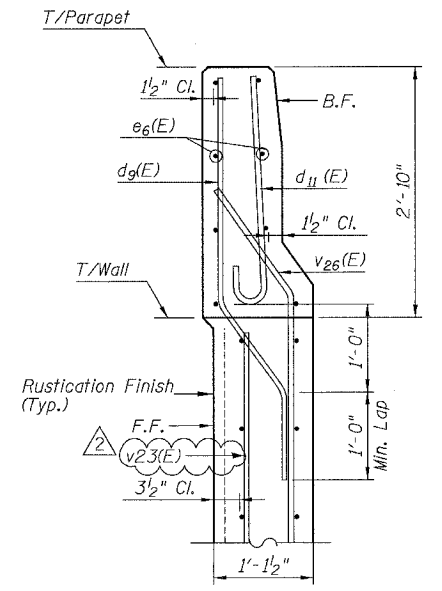
BACK FACE ELEVATION - TRANSITIONS



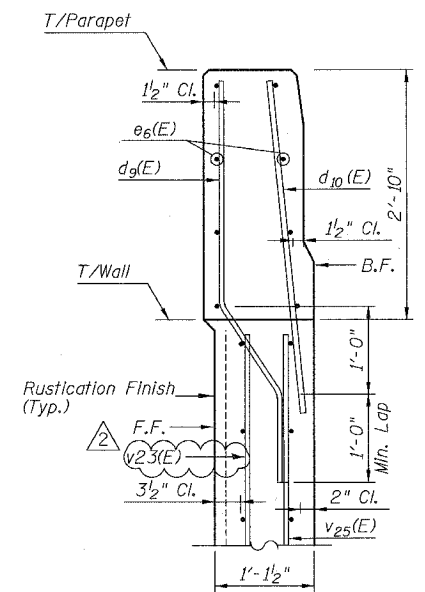
BACK FACE ELEVATION - REINFORCEMENT  
(v bars not shown for clarity)



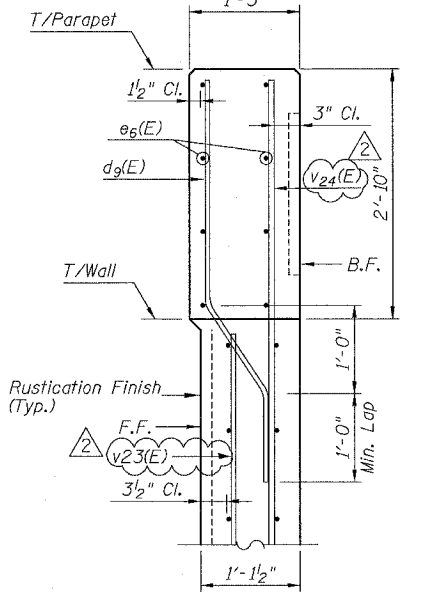
SECTION A-A



SECTION B-B



SECTION C-C



SECTION D-D

NOTES:  
1. For Bill of Bars & Bar Bend Details, See Sheet 9 of 24.

REVISIONS	
NAME	DATE
ADDENDUM 2	8/04/06

SHEET 15 OF 24  
ILLINOIS DEPARTMENT OF TRANSPORTATION  
F.A.I. 94/90 (DAN RYAN EXPRESSWAY)  
GARFIELD BLVD TO 31ST STREET (NB LOCAL LANES)  
COOK COUNTY  
STA. 4529+75.90 TO STA. 4537+30.74  
RETAINING WALL N-47N-R  
PARAPET TRANSITION  
S.N. 016-W977  
SCALE: NTS DRAWN BY: MTR  
DATE: JUNE 9, 2006 CHECKED BY: BLU

BOWMAN, BARRETT & ASSOCIATES INC.  
CONSULTING ENGINEERS  
Chicago, Illinois  
312.228.0100  
www.bbainc.com

8/10/2006