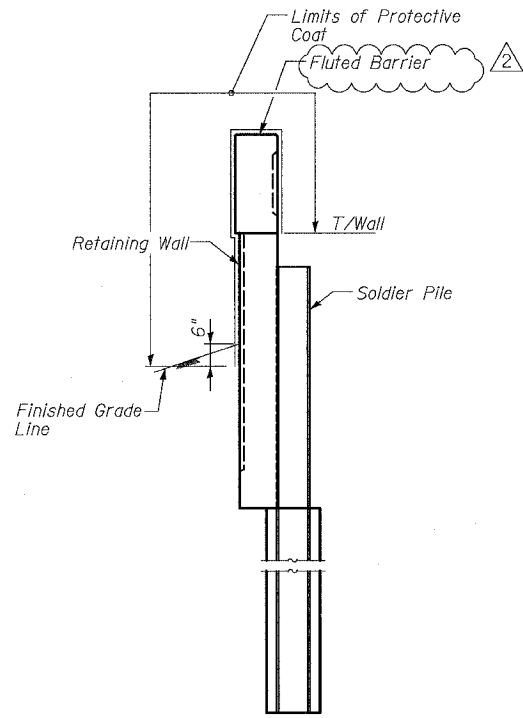


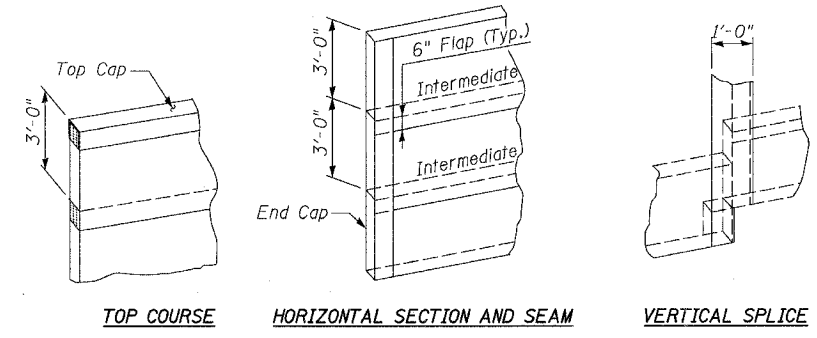
BILL OF MATERIAL

Bar	No.	Size	Length	Shape
d1(E)	450	#5	4'-7"	
d12(E)	108	#5	2'-4"	
e1(E)	48	#5	23'-8"	
e2(E)	96	#5	26'-2"	
h1(E)	72	#5	23'-8"	
h2(E)	142	#5	26'-2"	
v1(E)	150	#6	6'-6"	
v2(E)	150	#5	3'-8"	
v3(E)	12	#6	13'-9"	
v4(E)	12	#5	8'-1"	
v5(E)	12	#6	15'-3"	
v6(E)	12	#5	9'-7"	
v7(E)	12	#6	16'-5"	
v8(E)	12	#5	10'-9"	
v9(E)	12	#6	17'-2"	
v10(E)	12	#5	11'-6"	
v11(E)	25	#6	8'-10"	
v12(E)	25	#5	6'-0"	
v13(E)	50	#6/2	9'-0"	
v14(E)	50	#5	6'-2"	
v15(E)	25	#6	8'-9"	
v16(E)	25	#5	5'-11"	
v17(E)	12	#6	16'-10"	
v18(E)	12	#5	11'-2"	
v19(E)	12	#6	15'-10"	
v20(E)	12	#5	10'-2"	
v21(E)	12	#6	14'-8"	
v22(E)	12	#5	9'-0"	
v23(E)	12	#6	13'-6"	
v24(E)	12	#5	7'-10"	
Reinforcement Bars, Epoxy Coated	Pound		19,080	
Concrete Structures	Cu. Yd.		88.3	
Concrete Superstructure	Cu. Yd.		54.9	
Chain Link Fence, 42" Attached to Structure (Special)	Foot		424	
Rustication Finish	Sq. Ft.		2,371	
Protective Coat	Sq. Yd.		284	

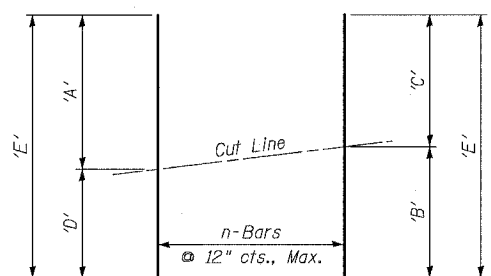


DETAIL OF LIMITS OF PROTECTIVE COAT

Apply Protective Coat to Front Face only when less than 25'-0" to Ramp E.O.P.



GEOCOMPOSITE WALL DRAIN DETAILS

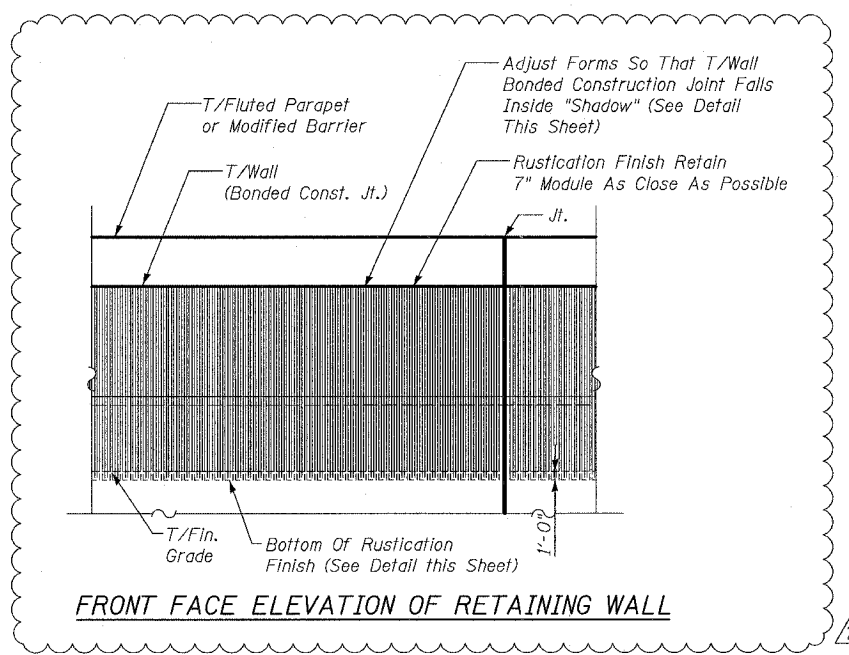


*** BAR CUTTING DIAGRAM**

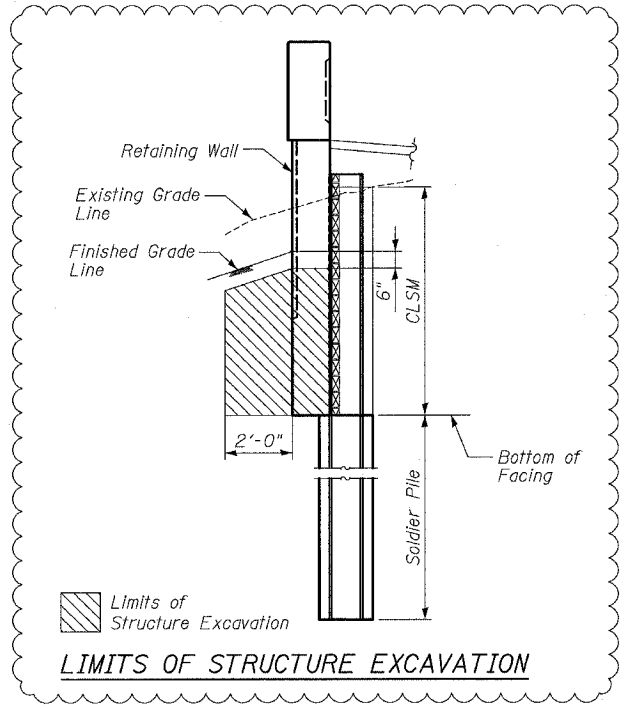
* Order bars v3(E) thru v10(E) and v17(E) thru v24(E) full length, cut as shown and use remainder where indicated.

TABLE OF DIMENSIONS

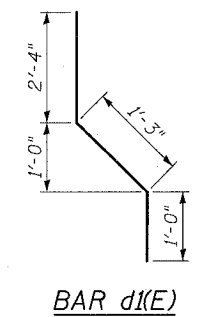
Bar	'A'	'B'	'C'	'D'	'E'	n
v3(E)	6'-6"	6'-10"	6'-11"	7'-3"	13'-9"	12
v4(E)	3'-8"	4'-0"	4'-1"	4'-5"	8'-1"	12
v5(E)	7'-3"	7'-7"	7'-8"	8'-0"	15'-3"	12
v6(E)	4'-5"	4'-9"	4'-10"	5'-2"	9'-7"	12
v7(E)	8'-0"	8'-2"	8'-3"	8'-5"	16'-5"	12
v8(E)	5'-2"	5'-4"	5'-5"	5'-7"	10'-9"	12
v9(E)	8'-5"	8'-7"	8'-7"	8'-9"	17'-2"	12
v10(E)	5'-7"	5'-9"	5'-9"	5'-11"	11'-6"	12
v17(E)	8'-8"	8'-5"	8'-5"	8'-2"	16'-10"	12
v18(E)	5'-10"	5'-7"	5'-7"	5'-4"	11'-2"	12
v19(E)	8'-2"	7'-11"	7'-11"	7'-8"	15'-10"	12
v20(E)	5'-4"	5'-1"	5'-1"	4'-10"	10'-2"	12
v21(E)	7'-8"	7'-4"	7'-4"	7'-0"	14'-8"	12
v22(E)	4'-10"	4'-6"	4'-6"	4'-2"	9'-0"	12
v23(E)	7'-0"	6'-9"	6'-9"	6'-6"	13'-6"	12
v24(E)	4'-2"	3'-11"	3'-11"	3'-8"	7'-10"	12



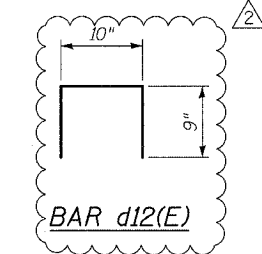
FRONT FACE ELEVATION OF RETAINING WALL



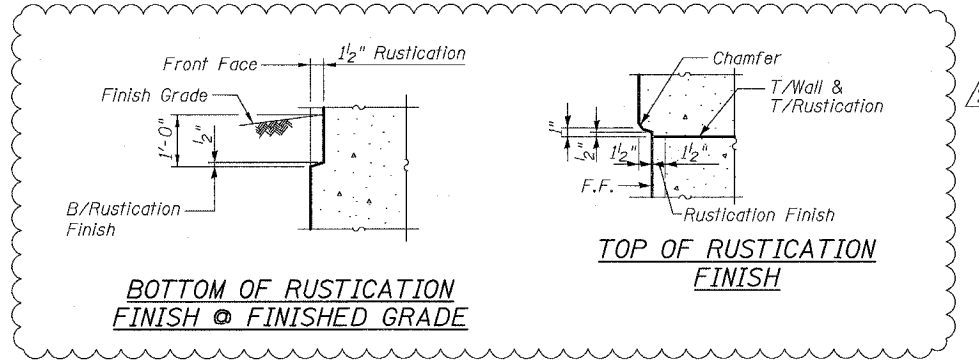
LIMITS OF STRUCTURE EXCAVATION



BAR d1(E)



BAR d12(E)



BOTTOM OF RUSTICATION FINISH @ FINISHED GRADE

TOP OF RUSTICATION FINISH

NOTES:

- For excavations and/or embankments outside limits indicated see Roadway Plans and schedules.
- Provide Pourous Granular Embankment (Special) behind wall (2'-0" min.) from existing or excavated ground line to bottom of Concrete Median Surface 5" (Modified).

REVISIONS	
NAME	DATE
REVISOR	6/20/06
ADDENDUM 2	8/04/06

ILLINOIS DEPARTMENT OF TRANSPORTATION
F.A.I. 94/90 (DAN RYAN EXPRESSWAY)
GARFIELD BLVD TO 31ST STREET (NB LOCAL LANES)

**RETAINING WALL N-43N-F
BILL OF MATERIAL**

SCALE: NTS
DATE: JUNE 9, 2006
DRAWN BY: MTR
CHECKED BY: BLU

BOWMAN, BARRETT & ASSOCIATES INC.
CONSULTING ENGINEERS
Chicago, Illinois
312.228.0100
www.bbainc.com

10:52:57 AM 8/4/2006