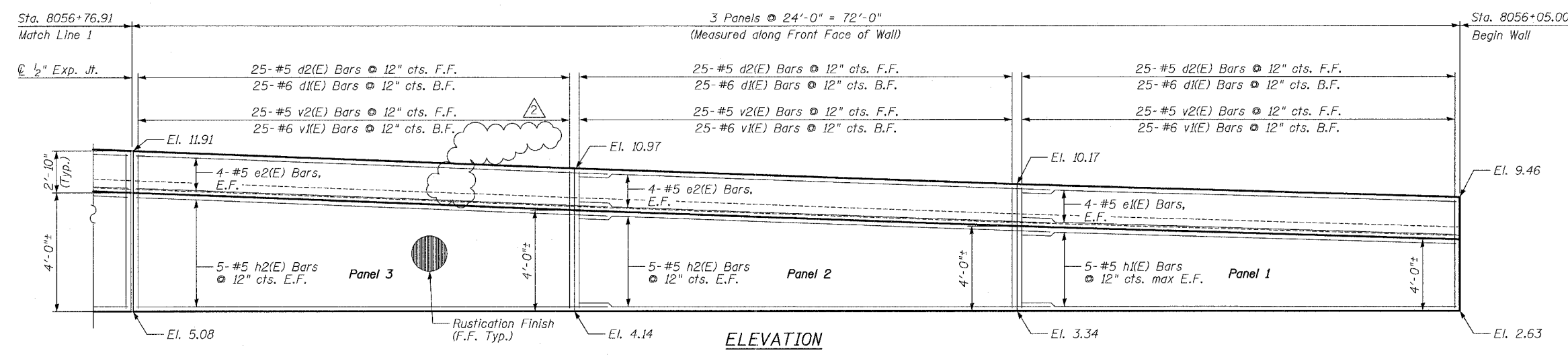
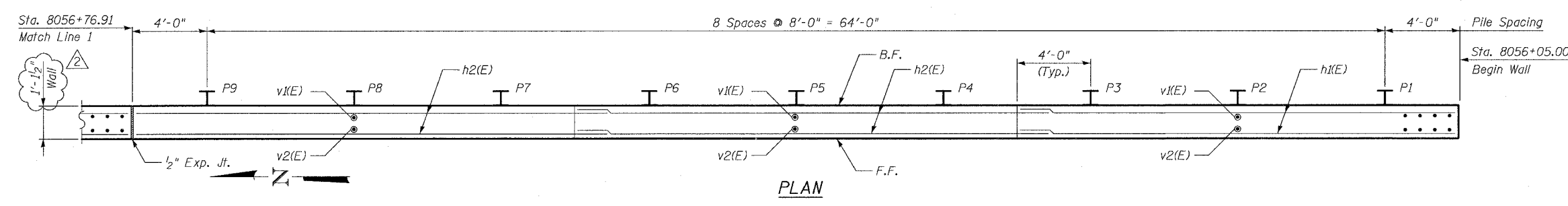


F.A.I.	SECTION	COUNTY	TOTAL SHEETS	SHEET NO.
94/90	*	COOK	565	407
STA.		TO STA.		
FED. ROAD DIST. NO. ILLINOIS FED. AID PROJECT				
62301 * (2021-922 PT2 ETC 2324.6-1P1 R-10				

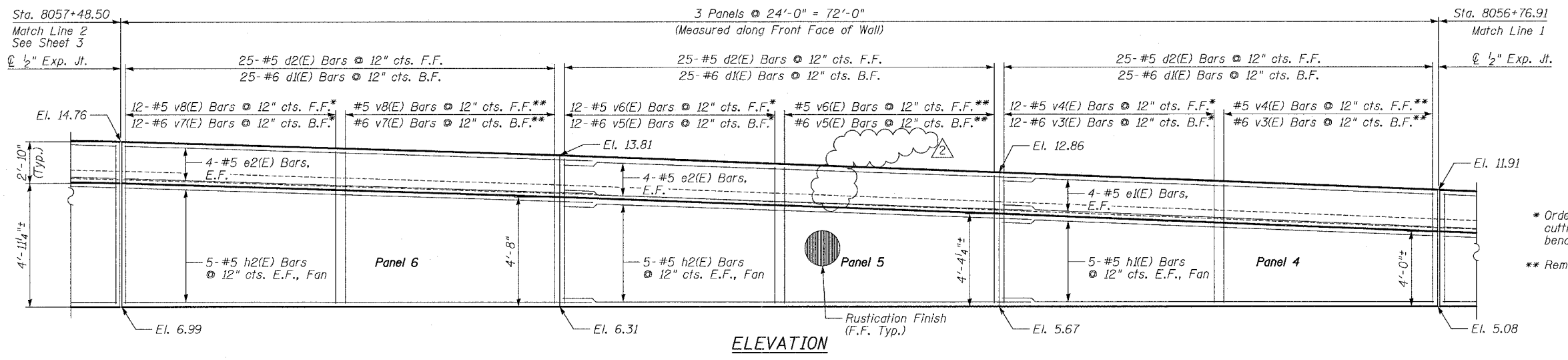


- Notes:
1. Stationing given is @ Ramp 43D.
  2. Facing in Plan Views is scaled 1:2 on an X:Y scale to show reinforcement.
  3. See details for reinforcing bar clearances.

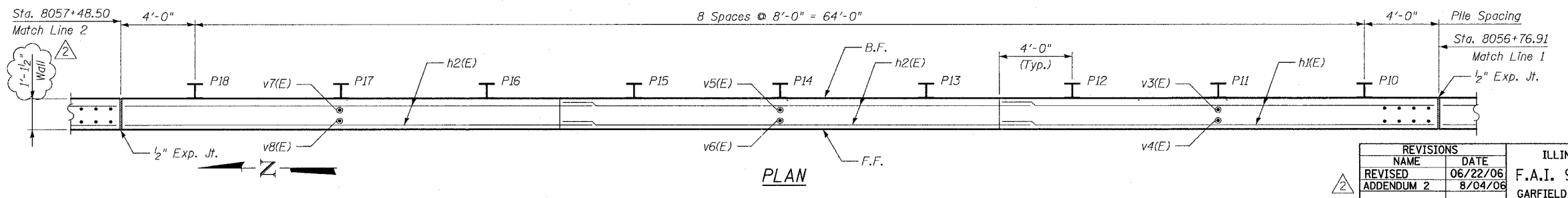


F.F. - denotes Front Face  
B.F. - denotes Back Face  
E.F. - denotes Each Face

**MIN. BAR LAP**  
#5 - 2'-2"  
#6 - 2'-7"



\* Order bars full length, cut as indicated in cutting diagram, then bend as shown in bar bend details if required.  
\*\* Remaining Bars from Cutting Diagram



SHEET 2 OF 9

REVISIONS	
NAME	DATE
REVISOR	06/22/06
ADDENDUM 2	8/04/06

ILLINOIS DEPARTMENT OF TRANSPORTATION  
F.A.I. 94/90 (DAN RYAN EXPRESSWAY)  
GARFIELD BLVD TO 31ST STREET (NB LOCAL LANES)  
**RETAINING WALL N-43S-R  
WALL DETAILS 1**  
SCALE: NTS  
DATE: JUNE 9, 2006  
DRAWN BY: LAM  
CHECKED BY: BLU

BOWMAN, BARRETT & ASSOCIATES INC.  
CONSULTING ENGINEERS  
Chicago, Illinois  
312 228.0100  
www.bbandainc.com

11/660/CAROLAN/IN/RETAINING WALLS/660135R/43SR.Dwg 05/4/2006