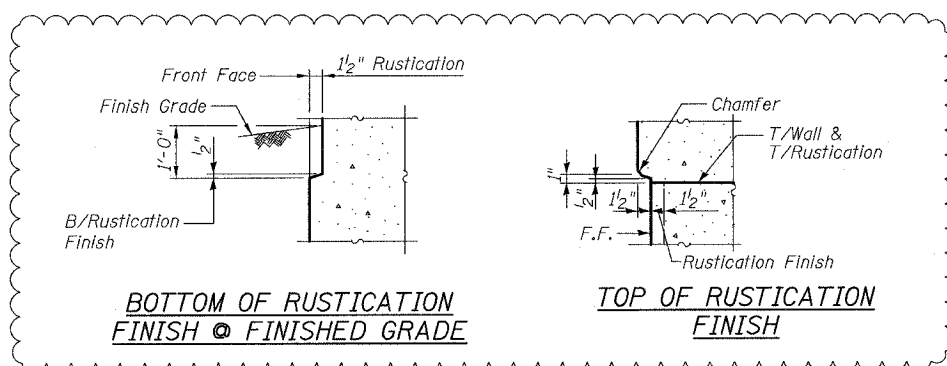
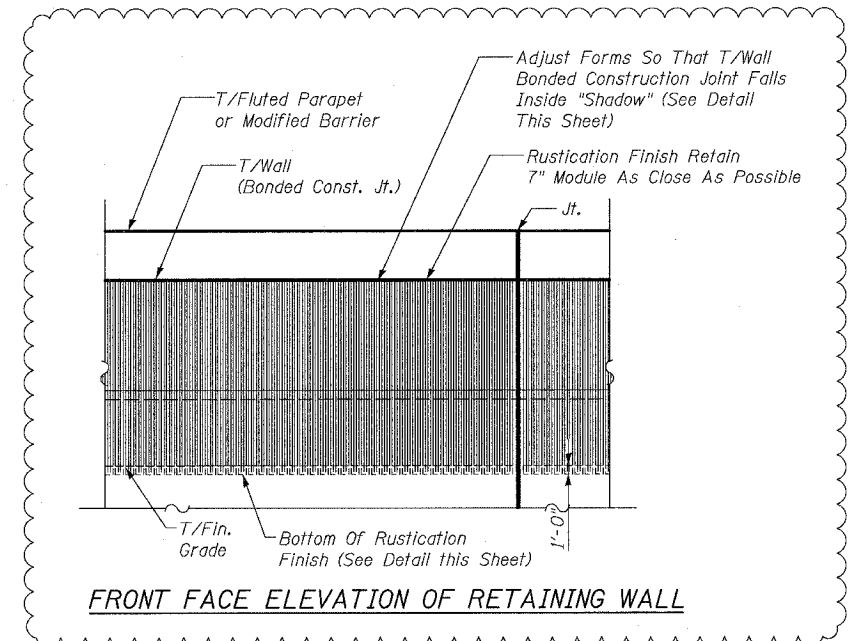
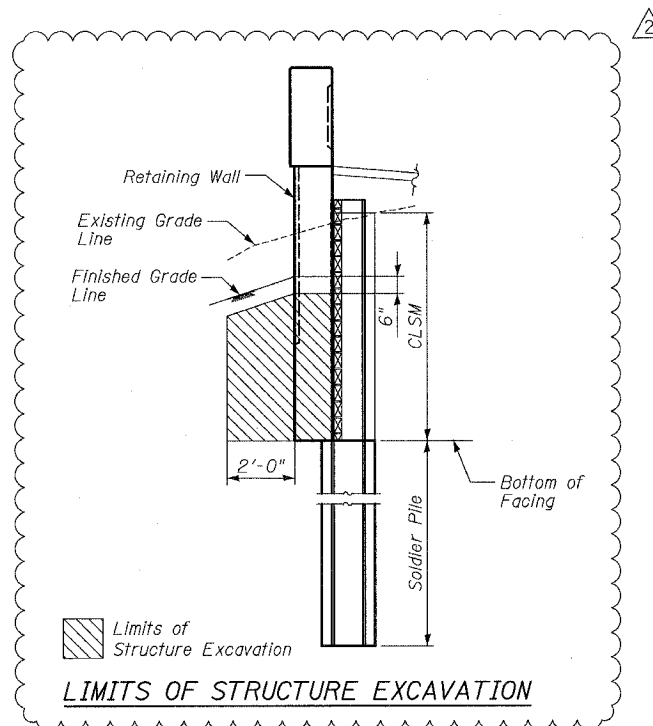


PILE LAYOUT

Pile	Offset* (Ft.)	Top of Wall El.	Top of Pile Elevation	Bott. of Facing Elevation	Section	Pile Tip Elevation	Pile Length (Ft.)
P-1	-21.17	6.75	5.75	2.80	W10x33	-12.27	18.02
P-2	-21.17	6.98	5.98	2.98	W10x33	-12.27	18.26
P-3	-21.17	7.22	6.22	3.16	W10x33	-12.27	18.49
P-4	-21.17	7.47	6.47	3.54	W10x33	-11.81	18.28
P-5	-21.17	7.74	6.74	3.74	W10x33	-11.81	18.55
P-6	-21.17	8.01	7.01	3.94	W10x33	-11.81	18.82
P-7	-21.17	8.30	7.30	4.37	W10x33	-11.32	18.61
P-8	-21.18	8.61	7.61	4.61	W10x33	-11.32	18.93
P-9	-21.06	8.92	7.92	4.84	W10x33	-11.32	19.24
P-10	-21.06	9.23	8.23	5.22	W14x48	-15.54	23.78
P-11	-21.10	9.55	8.55	5.37	W14x48	-15.54	24.09
P-12	-21.17	9.86	8.86	5.52	W14x48	-15.54	24.41
P-13	-21.25	10.18	9.18	5.83	W14x48	-15.04	24.22
P-14	-21.22	10.50	9.50	5.99	W14x48	-15.04	24.54
P-15	-21.14	10.82	9.82	6.15	W14x48	-15.04	24.86
P-16	-21.08	11.14	10.14	6.48	W14x48	-14.40	24.53
P-17	-21.04	11.45	10.45	6.65	W14x48	-14.40	24.85
P-18	-21.02	11.77	10.77	6.82	W14x48	-14.40	25.17
P-19	-21.00	12.07	11.07	7.16	W14x48	-13.72	24.78
P-20	-21.00	12.34	11.34	7.33	W14x48	-13.72	25.06
P-21	-21.00	12.61	11.61	7.50	W14x48	-13.72	25.33
P-22	-21.00	12.86	11.86	7.84	W14x48	-13.04	24.90
P-23	-21.00	13.08	12.08	8.01	W14x48	-13.04	25.12
P-24	-21.00	13.30	12.30	8.18	W14x48	-13.04	25.34
P-25	-21.00	13.48	12.48	8.52	W14x48	-11.86	24.35
P-26	-21.00	13.63	12.63	8.69	W14x48	-11.86	24.50
P-27	-21.00	13.78	12.78	8.86	W14x48	-11.86	24.65
P-28	-21.00	13.90	12.90	9.20	W14x48	-11.18	24.08
P-29	-21.00	13.98	12.98	9.37	W14x48	-11.18	24.16
P-30	-21.00	14.06	13.06	9.54	W14x48	-11.18	24.24
P-31	-21.00	14.14	13.14	9.82	W14x48	-10.50	23.64
P-32	-21.00	14.22	13.22	9.92	W14x48	-10.50	23.72
P-33	-21.00	14.30	13.30	10.03	W14x48	-10.50	23.80
P-34	-21.17	14.38	13.38	10.09	W10x33	-6.62	20.00
P-35	-21.17	14.46	13.46	10.04	W10x33	-6.62	20.08
P-36	-21.17	14.54	13.54	10.00	W10x33	-6.62	20.16
P-37	-21.17	13.90	12.90	9.87	W10x33	-6.62	19.52
P-38	-21.17	13.78	12.78	9.78	W10x33	-6.62	19.40
P-39	-21.17	13.67	12.67	9.70	W10x33	-6.62	19.29

*Offset from @ Ramp 43D

F.A.I.	SECTION	COUNTY	TOTAL SHEETS	SHEET NO.
94/90	*	COOK	565	409
STA.	TO STA.			
FED. ROAD DIST. NO.	ILLINOIS FED. AID PROJECT			
62301	*I2021-922 PT2 ETC 2324.6-1P1 R-10			



NOTES

- All piles have drilled shaft dia = 2'-0".
- For excavations and/or embankments outside limits indicated see Roadway Plans and schedules.
- Provide Porous Granular Embankment (Special) behind wall (2'-0" min.) from existing or excavated ground line to bottom of Concrete Median Surface 5" (Modified).

BILL OF MATERIAL

Item	Unit	Quantity
Furnishing Soldier Piles (W Sections)	Foot	874
Drilling and Setting Soldier Piles (In Soil)	Cu. Ft.	2,452

SHEET 4 OF 9

REVISIONS	
NAME	DATE
REVISED	06/15/06
ADDENDUM 2	8/04/06

ILLINOIS DEPARTMENT OF TRANSPORTATION
F.A.I. 94/90 (DAN RYAN EXPRESSWAY)
GARFIELD BLVD TO 31ST STREET (NB LOCAL LANES)

RETAINING WALL N-43S-R
PILE LAYOUT

SCALE: NTS
DATE: JUNE 9, 2006

DRAWN BY: MTR
CHECKED BY: BLU

BOWMAN, BARRETT & ASSOCIATES INC.
CONSULTING ENGINEERS
Chicago, Illinois
312.228.0100
www.bbandainc.com



12/26/00 PM