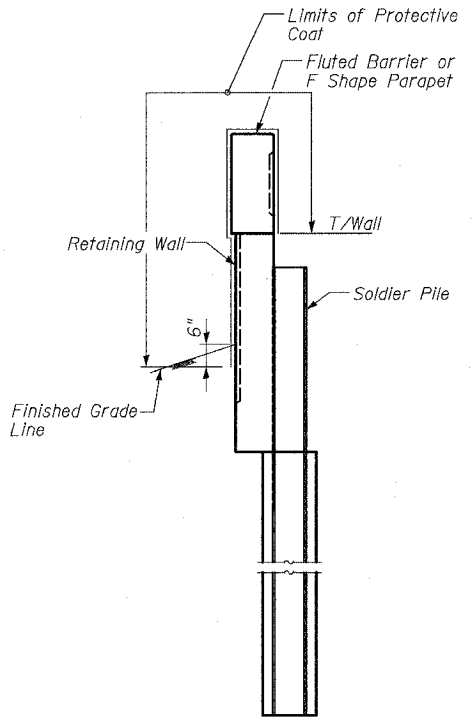


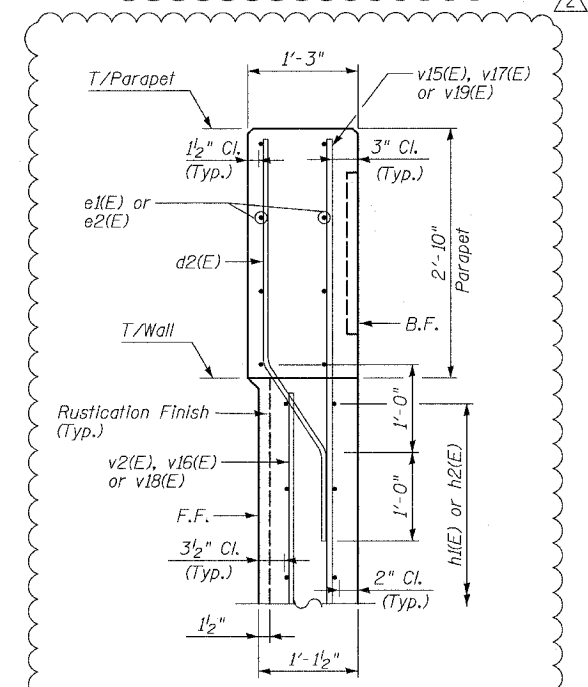
**BILL OF MATERIAL**

Bar	No.	Size	Length	Shape
d1(E)	212	#6	3'-0"	U
d2(E)	325	#5	4'-7"	U
d3(E)	12	#6	5'-5"	U
d12(E)	26	#5	2'-4"	U
e1(E)	40	#5	23'-8"	—
e2(E)	64	#5	26'-2"	—
h1(E)	54	#5	23'-8"	—
h2(E)	84	#5	26'-2"	—
v1(E)	75	#6	5'-5"	—
v2(E)	125	#5	3'-8"	—
v3(E)	12	#6	11'-2"	—
v4(E)	12	#5	7'-8"	—
v5(E)	12	#6	11'-10"	—
v6(E)	12	#5	8'-4"	—
v7(E)	12	#6	12'-5"	—
v8(E)	12	#5	8'-11"	—
v9(E)	37	#6	6'-5"	—
v10(E)	25	#5	4'-8"	—
v11(E)	25	#6	6'-6"	—
v12(E)	25	#5	4'-9"	—
v13(E)	12	#6	4'-6"	—
v14(E)	12	#5	9'-3"	—
v15(E)	12	#6	14'-3"	—
v16(E)	12	#5	8'-7"	—
v17(E)	12	#6	13'-5"	—
v18(E)	12	#5	7'-9"	—
v19(E)	50	#6	6'-6"	—
Reinforcement Bars, Epoxy Coated	Pound		13,280	
Concrete Structures	Cu. Yd.		55.2	
Concrete Superstructure	Cu. Yd.		31.7	
Chain Link Fence, 42" Attached to Structure (Special)	Foot		95	
Rustication Finish	Sq. Ft.		1136	
Protective Coat	Sq. Yd.		168	

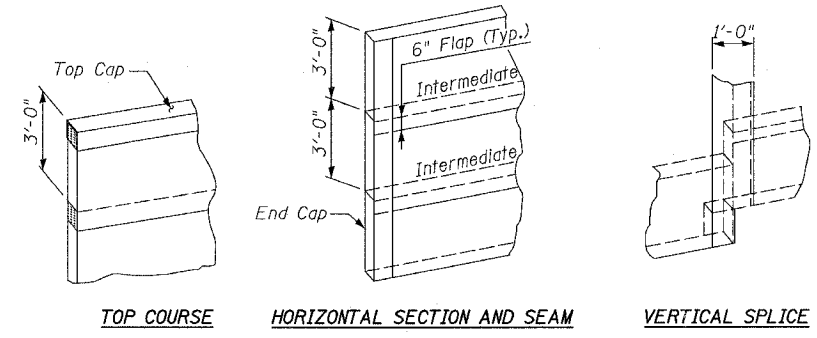


**DETAIL OF LIMITS OF PROTECTIVE COAT**

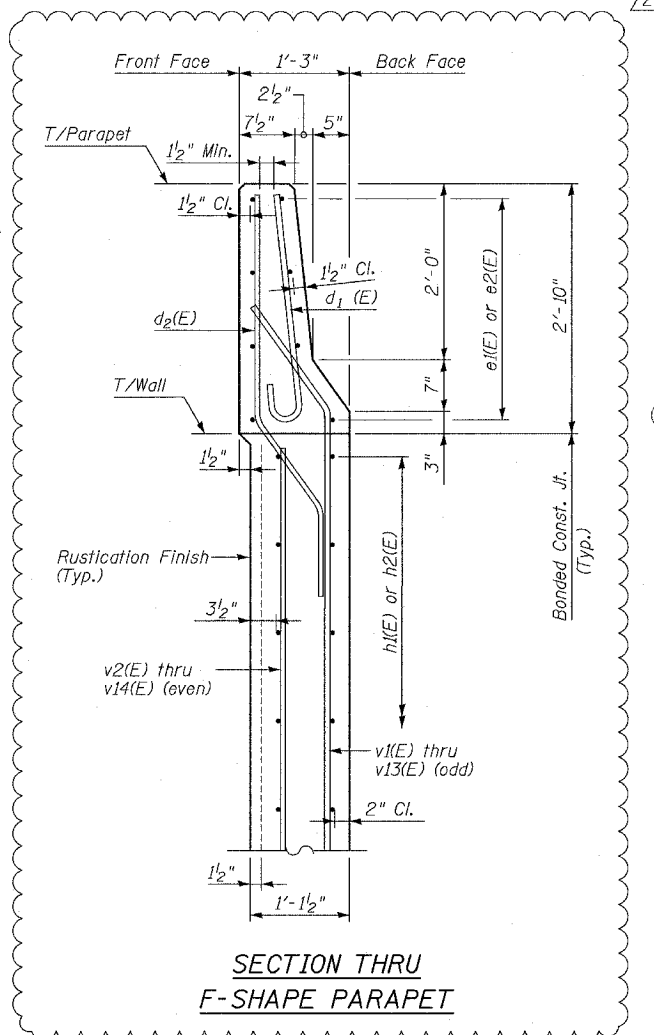
Apply Protective Coat to Front Face only when less than 25'-0" to Ramp E.O.P.



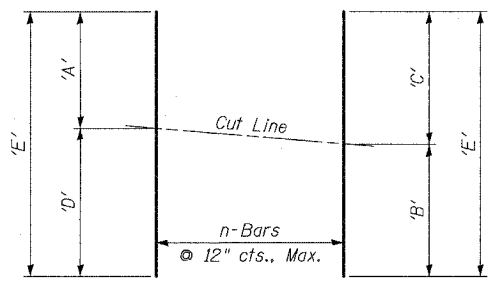
**PARAPET DETAIL**



**GEOCOMPOSITE WALL DRAIN DETAILS**



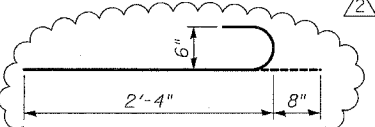
**SECTION THRU F-SHAPE PARAPET**



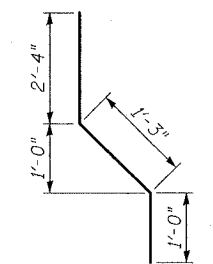
**\* BAR CUTTING DIAGRAM**  
 \* Order bars v3(E) thru v8(E) and v14(E) thru v18(E) full length, cut as shown and use remainder where indicated. Bend bars after cutting as required.

**TABLE OF DIMENSIONS**

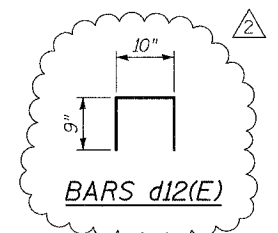
Bar	'A'	'B'	'C'	'D'	'E'	n
v3(E)	5'-5"	5'-7"	5'-7"	5'-9"	11'-2"	12
v4(E)	3'-8"	3'-10"	3'-10"	4'-0"	7'-8"	12
v5(E)	5'-9"	5'-11"	5'-11"	6'-1"	11'-10"	12
v6(E)	4'-0"	4'-2"	4'-2"	4'-4"	8'-4"	12
v7(E)	6'-1"	6'-2"	6'-3"	6'-4"	12'-5"	12
v8(E)	4'-4"	4'-5"	4'-6"	4'-7"	8'-11"	12
v14(E)	4'-9"	4'-8"	4'-7"	4'-6"	9'-3"	12
v15(E)	7'-4"	7'-2"	7'-1"	6'-11"	14'-3"	12
v16(E)	4'-6"	4'-4"	4'-3"	4'-1"	8'-7"	12
v17(E)	6'-11"	6'-9"	6'-8"	6'-6"	13'-5"	12
v18(E)	4'-1"	3'-11"	3'-10"	3'-8"	7'-9"	12



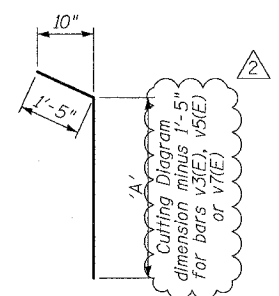
**BAR d1(E)**



**BAR d2(E)**



**BARS d12(E)**



**BARS v1(E), v9(E) & v11(E)**

Bar	'A'
v1(E)	4'-0"
v9(E)	5'-0"
v11(E)	5'-1"

REVISIONS	NAME	DATE
REVIS		6/21/06
ADDENDUM 2		8/04/06

SHEET 5 OF 9  
 ILLINOIS DEPARTMENT OF TRANSPORTATION  
 F.A.I. 94/90 (DAN RYAN EXPRESSWAY)  
 GARFIELD BLVD TO 31ST STREET (NB LOCAL LANES)  
 RETAINING WALL N-43S-R  
 BILL OF MATERIAL  
 SCALE: NTS  
 DATE: JUNE 9, 2006  
 DRAWN BY: MTR  
 CHECKED BY: BLU