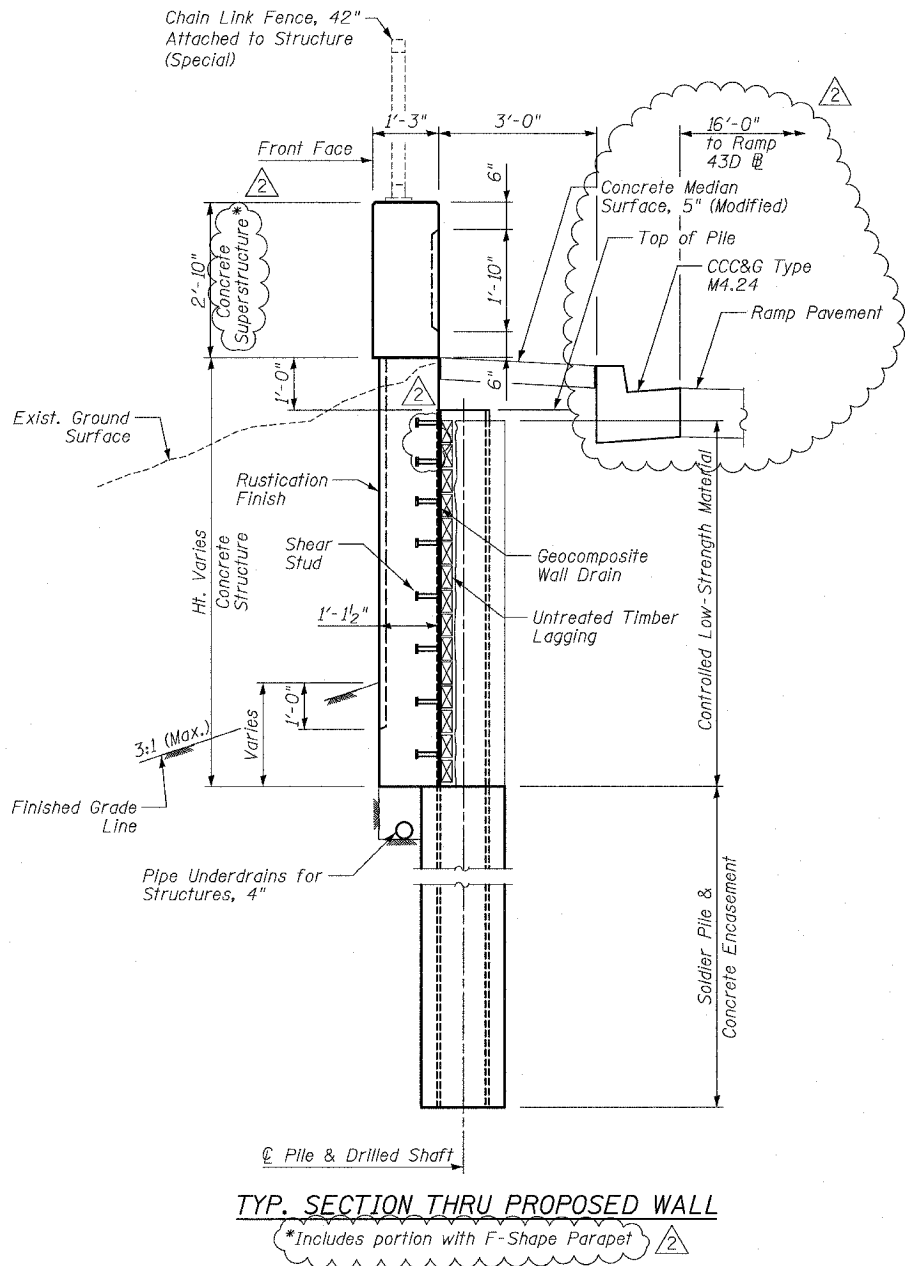
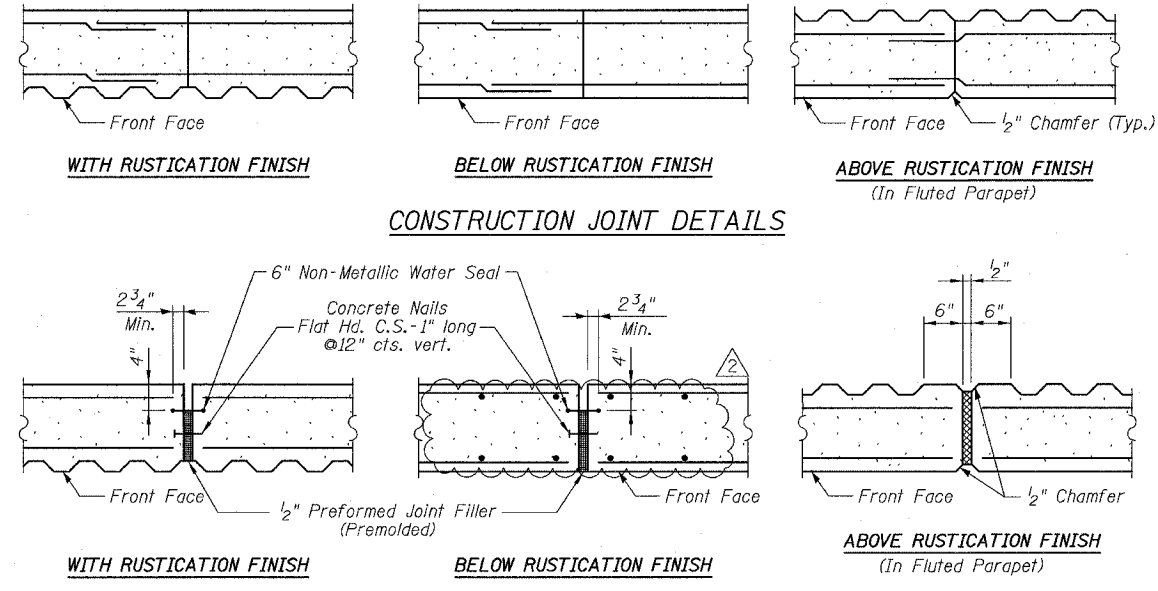


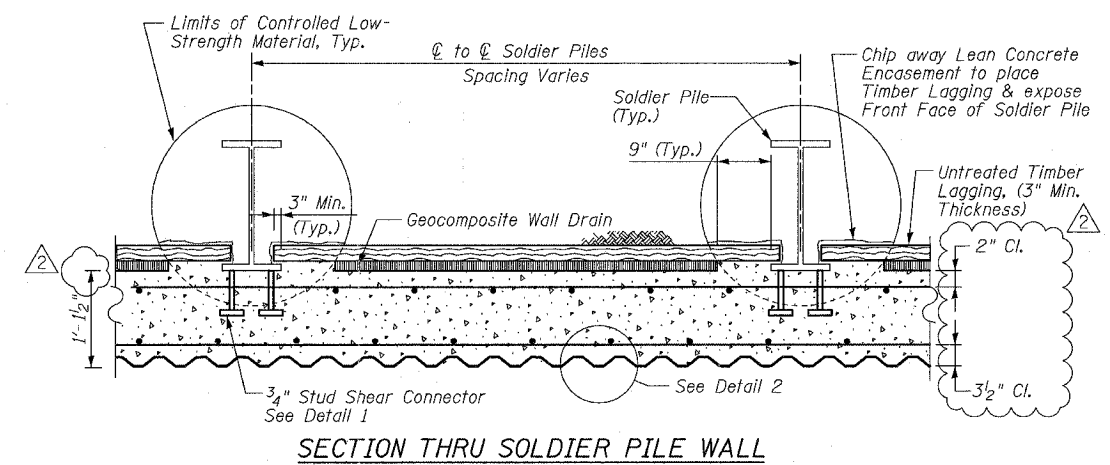
F.A.I.	SECTION	COUNTY	TOTAL SHEETS	SHEET NO.
94/90	*	COOK	565	411
STA.	TO STA.			
FED. ROAD DIST. NO.	ILLINOIS FED. AID PROJECT			
62301	*(2021-922 PT2 ETC 2324.6-1P1 R-10			



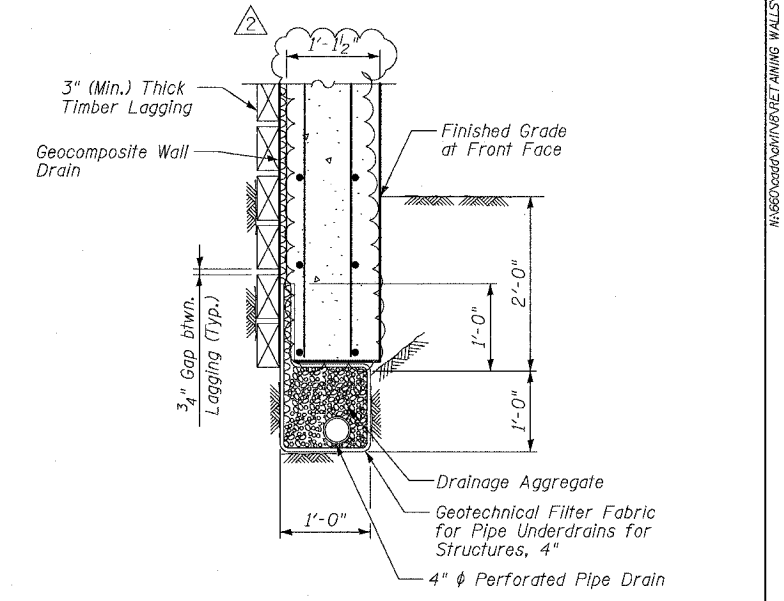
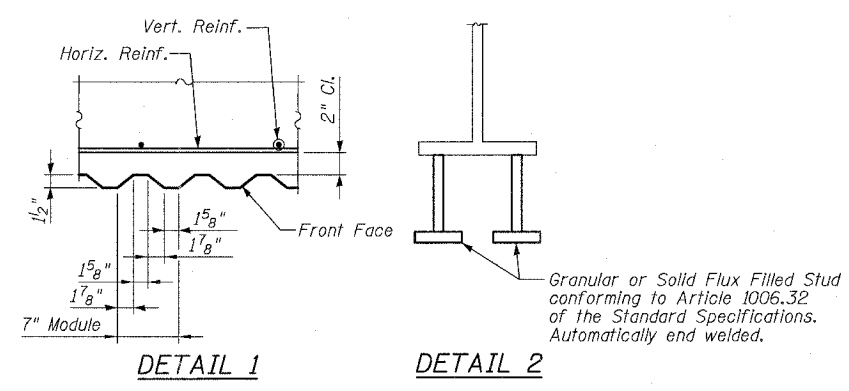
TYP. SECTION THRU PROPOSED WALL
 *Includes portion with F-Shape Parapet



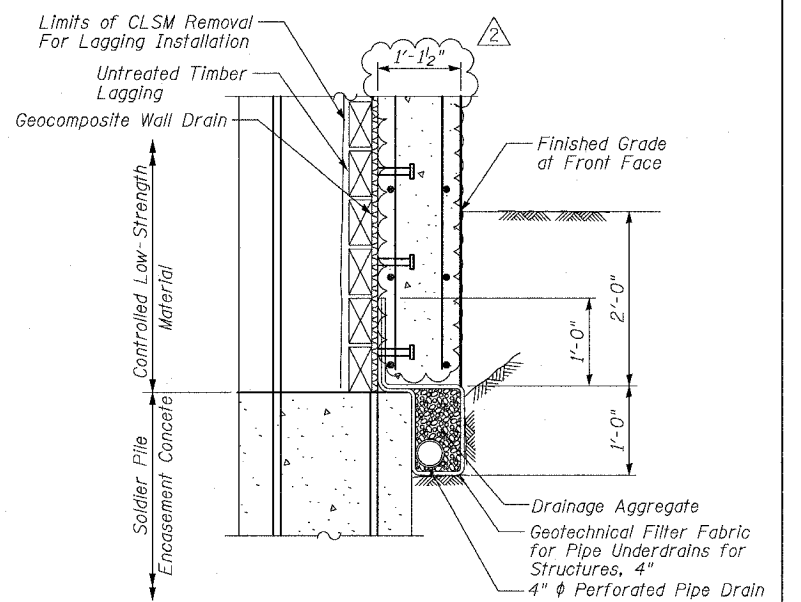
EXPANSION JOINT DETAILS
 Cost of P.J.F., Water Seal and Concrete Nails included with Concrete Structures.



SECTION THRU SOLDIER PILE WALL



PIPE UNDERDRAIN DETAIL BETWEEN SOLDIER PILES



PIPE UNDERDRAIN DETAIL AT SOLDIER PILES

SHEET 6 OF 9

REVISIONS	
NAME	DATE
REVISED	06/21/06
ADDENDUM 2	8/04/06

ILLINOIS DEPARTMENT OF TRANSPORTATION
 F.A.I. 94/90 (DAN RYAN EXPRESSWAY)
 GARFIELD BLVD TO 31ST STREET (NB LOCAL LANES)
RETAINING WALL N-43S-R
 MISCELLANEOUS DETAILS
 SCALE: NTS
 DATE: JUNE 9, 2006
 DRAWN BY: MTR
 CHECKED BY: BLU

BOWMAN, BARRETT & ASSOCIATES INC.
 CONSULTING ENGINEERS
 Chicago, Illinois
 312.228.0100
 www.bbandainc.com

11/4/2006 11:49:35 AM