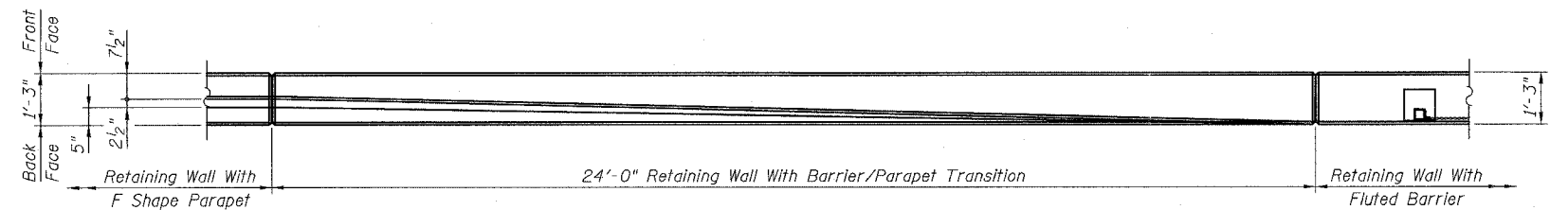
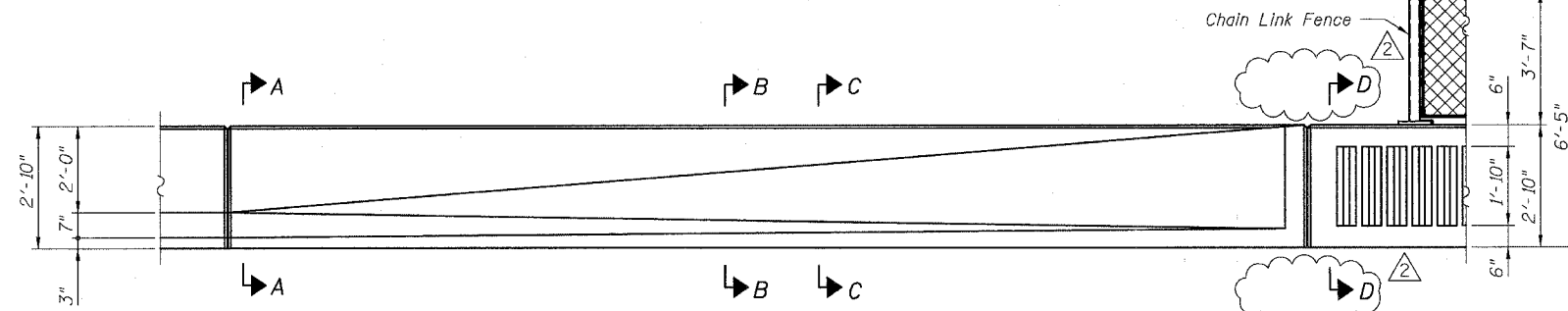


F.A.I.	SECTION	COUNTY	TOTAL SHEETS	SHEET NO.
94/90	*	COOK	565	412
STA.	TO STA.			
FED. ROAD DIST. NO.	ILLINOIS	FED. AID PROJECT		
62301	*(2021-922 PT2 ETC 2324.6-1P) R-10			



PLAN



BACK FACE ELEVATION - TRANSITIONS

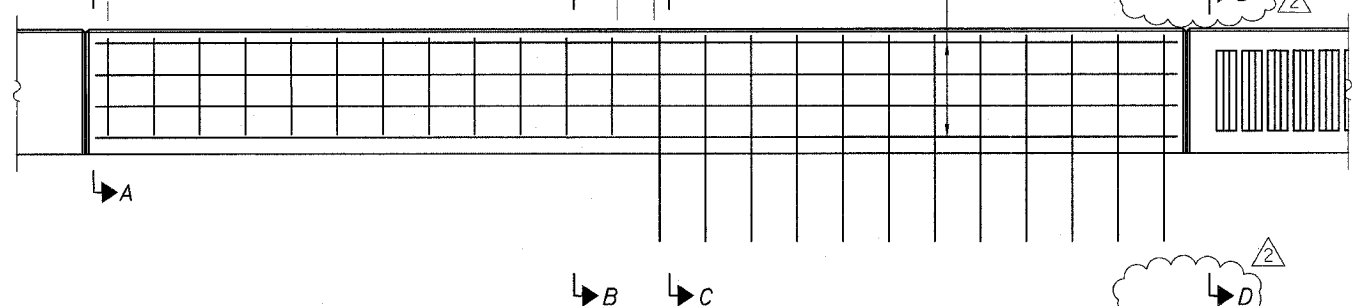
For Configuration and Reinf. of F Shape Parapet See Section A-A

#6 d₁(E) Bars at 12" cts. B.F., Match #6 v₉(E) Bars

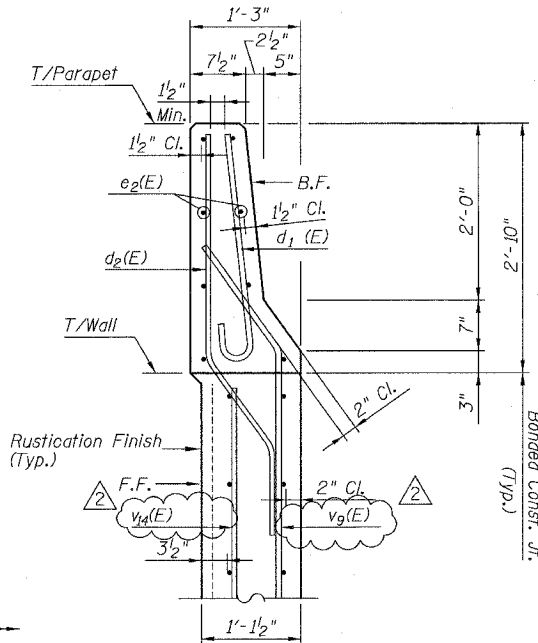
12" #6 d₃(E) Bars at 12" cts. B.F., Match #6 v₁₃(E) Bars

For Configuration and Reinf. of Fluted Barrier See Section D-D

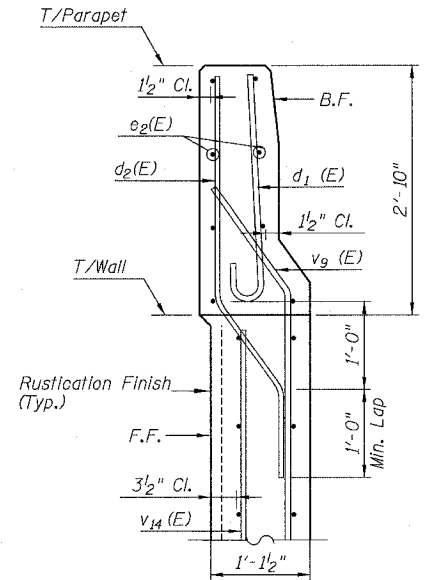
#5 e₂(E) Each Face



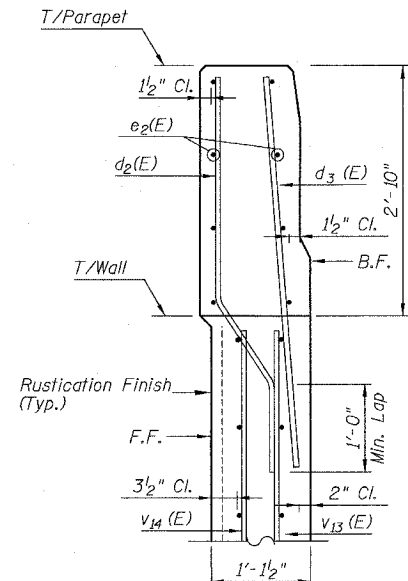
BACK FACE ELEVATION - REINFORCEMENT
(d₂(E) and v(E) bars not shown for clarity)



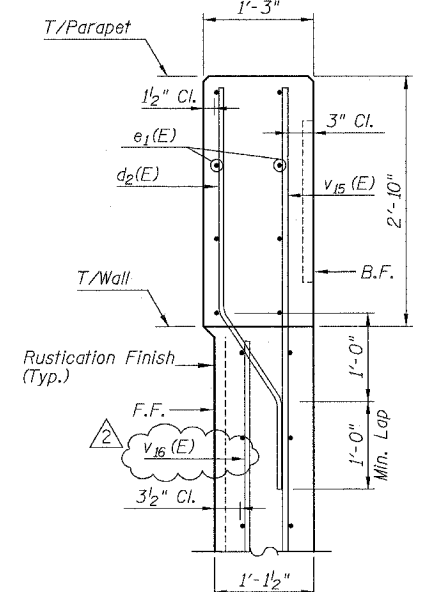
SECTION A-A



SECTION B-B



SECTION C-C



SECTION D-D

NOTES:

1. For Bill of Bars & Bar Bend Details, See Sheet 5.

REVISIONS	
NAME	DATE
REVISED	06/20/06
ADDENDUM 2	8/04/06

SHEET 7 OF 9

ILLINOIS DEPARTMENT OF TRANSPORTATION
F.A.I. 94/90 (DAN RYAN EXPRESSWAY)
GARFIELD BLVD TO 31ST STREET (NB LOCAL LANES)

RETAINING WALL N-43S-R
PARAPET TRANSITION

SCALE: NTS
DATE: JUNE 9, 2006

DRAWN BY: MTR
CHECKED BY: BLU

BOWMAN, BARRETT & ASSOCIATES INC.
CONSULTING ENGINEERS
Chicago, Illinois
312.228.0100
www.bbandainc.com

11/5503.3 AM 8/4/2006