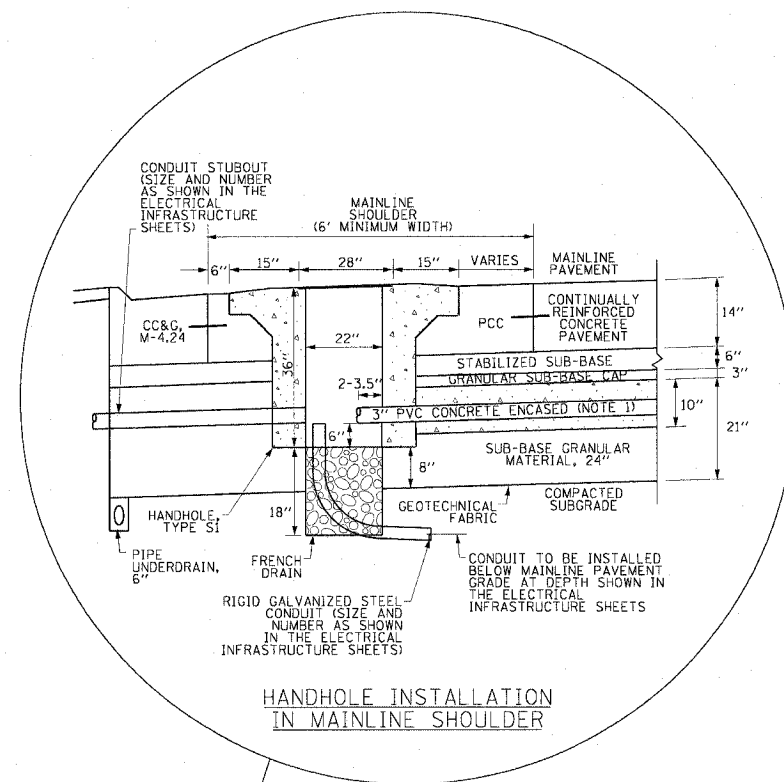
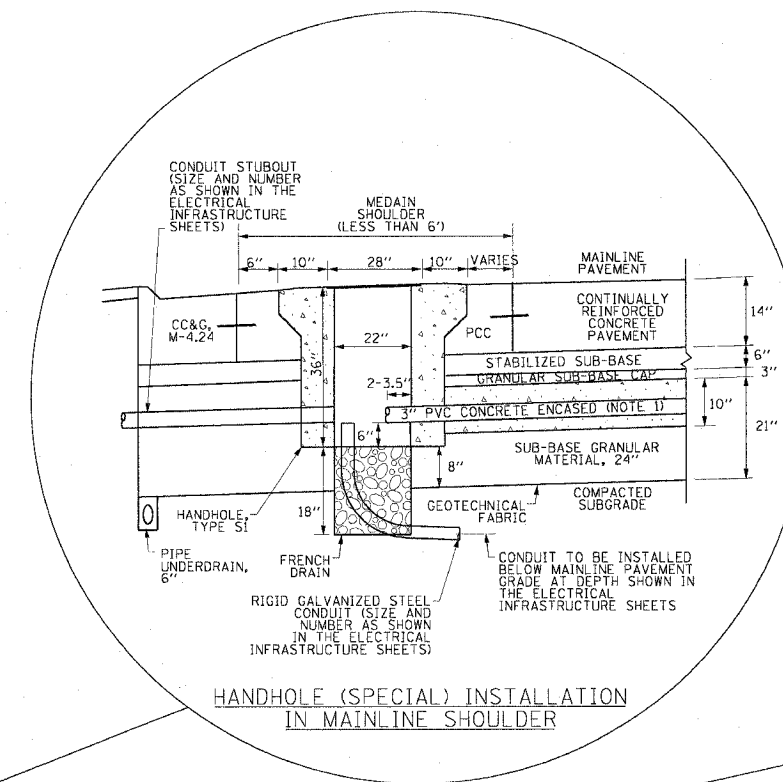


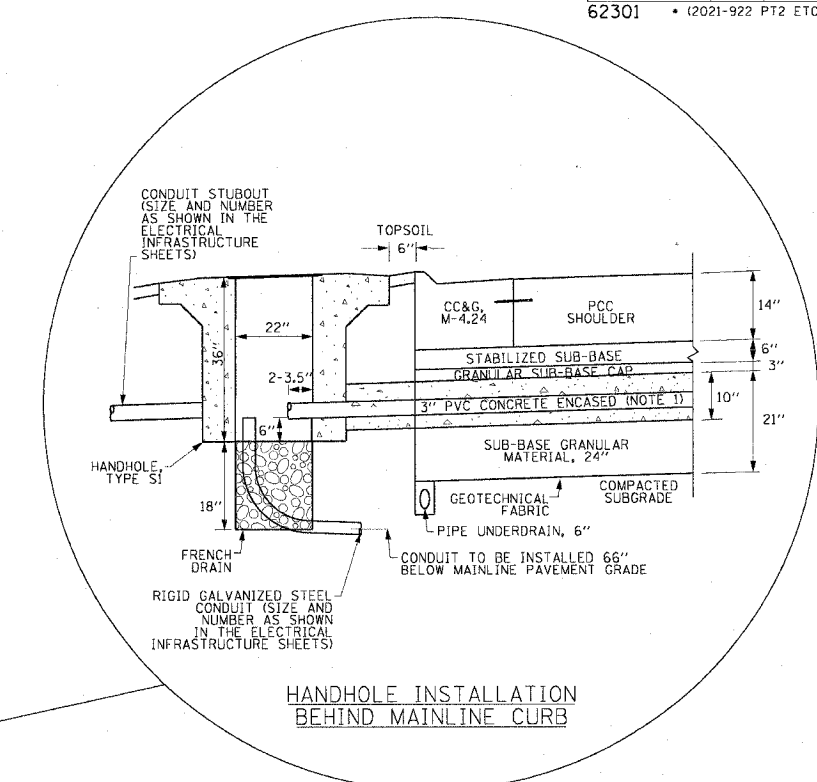
F.A.I. RTE. 90/94	SECTION *	COUNTY COOK	TOTAL SHEETS 565	SHEET NO. 314
STA.	TO STA.			
FED. ROAD DIST. NO. 1 ILLINOIS FED. AID PROJECT				
62301 (2021-922 PT2 ETC 2324.6-1P) R-10				



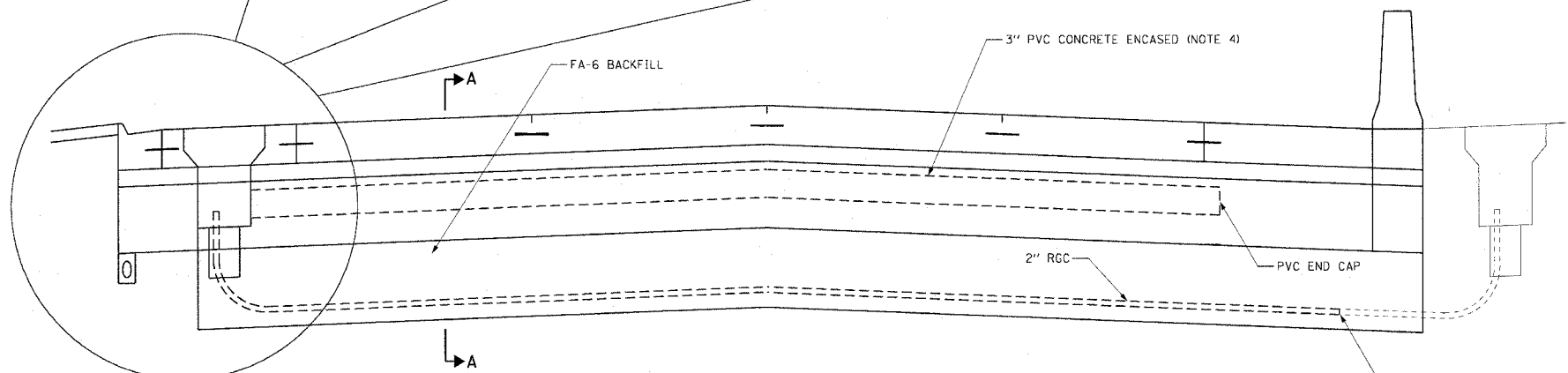
HANDHOLE INSTALLATION IN MAINLINE SHOULDER



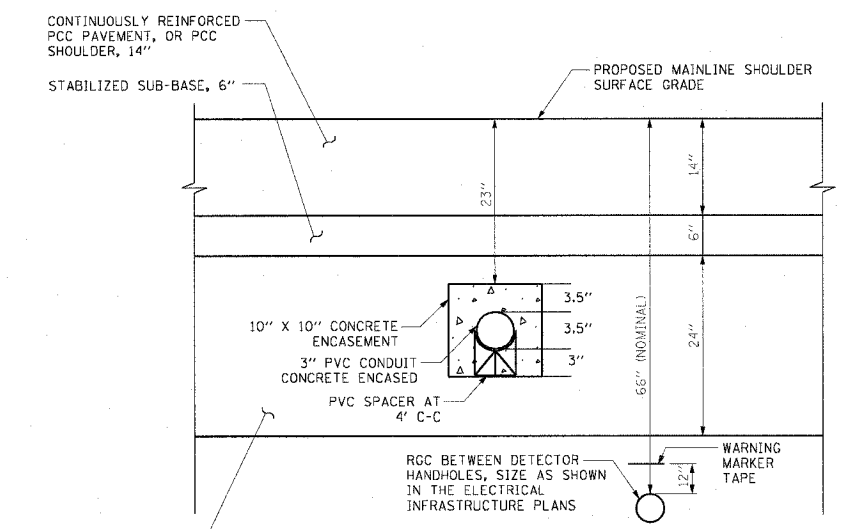
HANDHOLE (SPECIAL) INSTALLATION IN MAINLINE SHOULDER



HANDHOLE INSTALLATION BEHIND MAINLINE CURB



TYPICAL MAINLINE DETECTOR INSTALLATION



SECTION A-A TYPICAL DETECTOR CONDUIT INSTALLATION

- NOTES
1. 3" PVC CONCRETE ENCASED CONDUIT IS REQUIRED ONLY WHERE SHOWN ON THE PLAN DRAWINGS. WHEN INSTALLED, THE CONDUIT MUST MAINTAIN THE SAME ANGLE AS THE PAVEMENT THROUGHOUT ITS ENTIRE LENGTH.
 2. FOR HANDHOLE DETAIL SEE SHEET EI-104.
 3. WHEN INSTALLING CONDUIT NEAR OR THROUGH UNDERDRAIN GEOTECHNICAL FABRIC, THE CONTRACTOR SHALL MAINTAIN THE INTEGRITY AND UNIFORMITY OF THE UNDERDRAIN FABRIC THROUGH OVERLAP TO THE SATISFACTION OF THE ENGINEER.

CONNECT PROPOSED 2" RGC TO EXISTING 2" RGC (SEE ELECTRICAL INFRASTRUCTURE SHEETS FOR EXISTING CONDUIT LOCATIONS AND ELEVATIONS)



REVISIONS	
NAME	DATE

ILLINOIS DEPARTMENT OF TRANSPORTATION
 F.A.I. 90/94 (DAN RYAN EXPRESSWAY)
 GARFIELD BLVD TO 31ST STREET (NB LOCAL LANES)
 TYPICAL DETECTOR
 INSTALLATION

SCALE: NOT TO SCALE
 DATE: June 9, 2006
 DRAWN BY: HAR
 CHECKED BY: JPC

10-5042 AM 06/07/2006