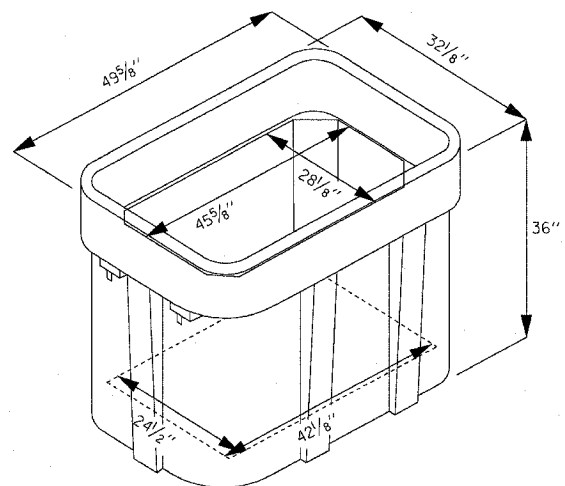
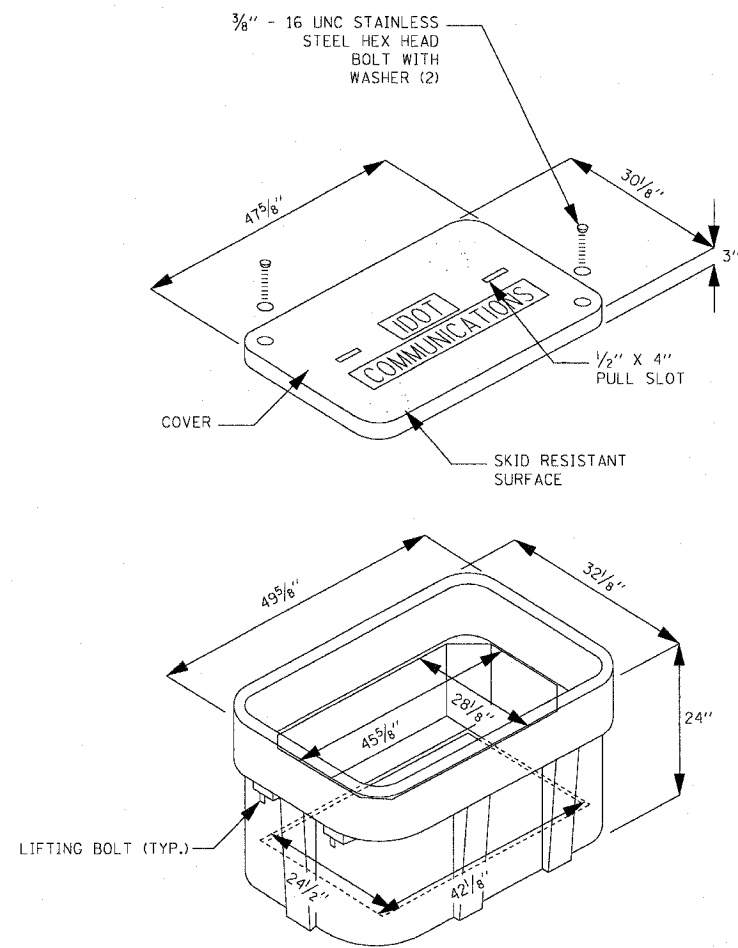
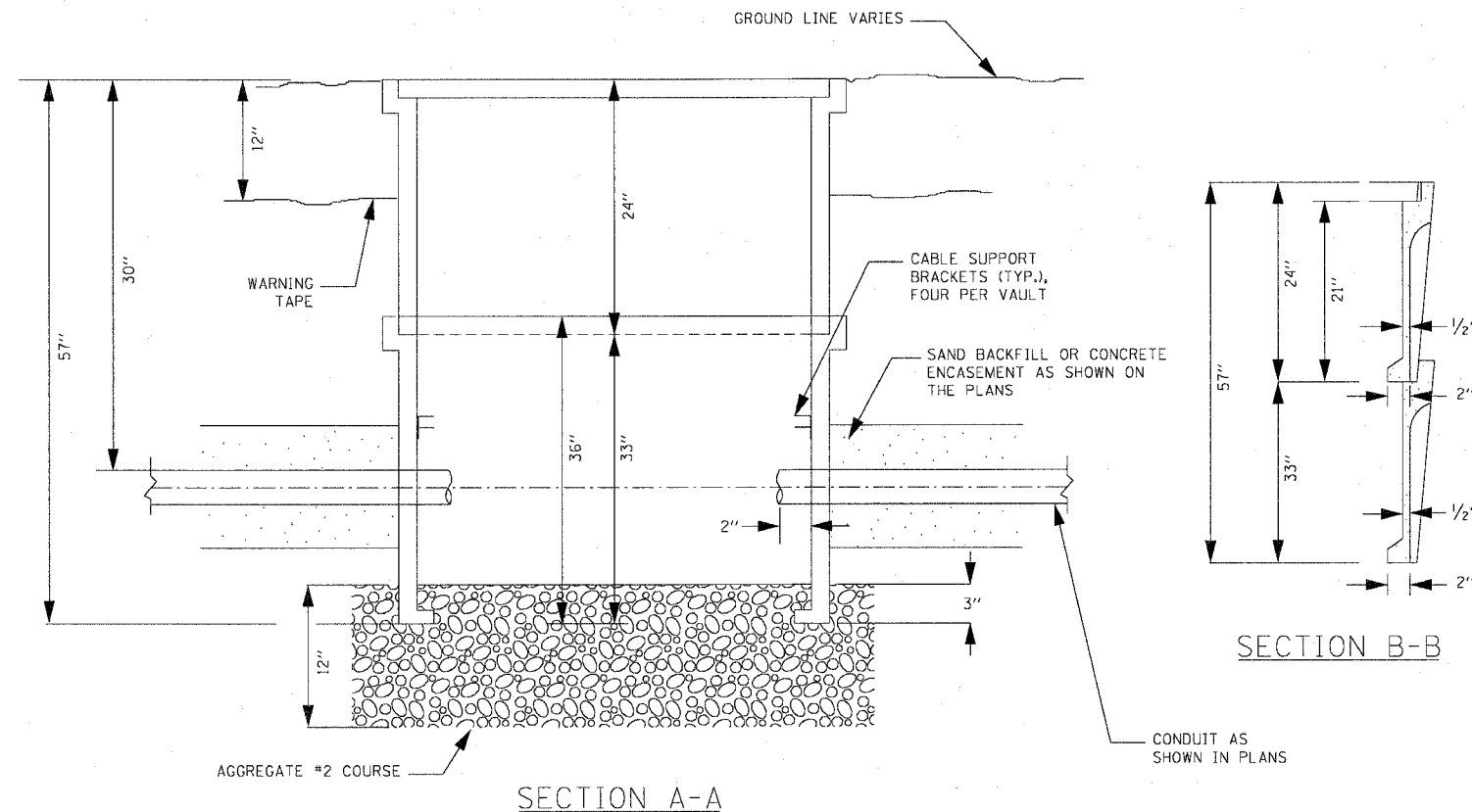


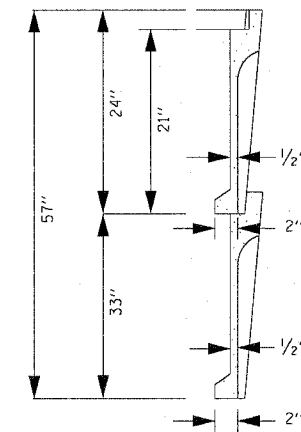
F.A.I. RT.:	SECTION	COUNTY	TOTAL SHEETS	SHEET NO.
90/94		COOK	565	316
STA.	TO STA.			
FED. ROAD DIST. NO. 1 ILLINOIS		FED. AID PROJECT		
62301		• (2021-922 PT2 ETC 2324.6-1P) R-10		



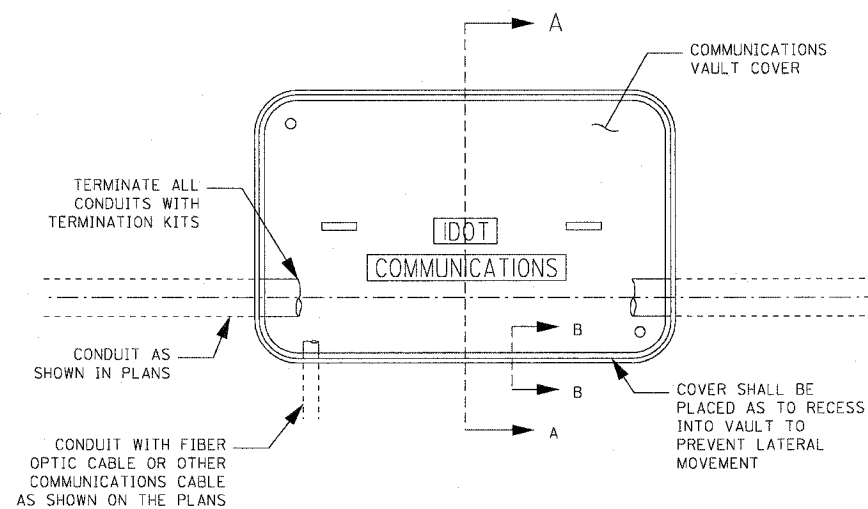
ISOMETRIC



SECTION A-A



SECTION B-B



PLAN

NOTES:

1. BOX SHALL HAVE AN OPEN BASE.
2. COVER SHALL BE TYPE HA AND SHALL LOCK.
3. ALL OPENINGS IN STRUCTURE MUST BE MACHINED AT TIME OF FABRICATION OR PUNCH DRIVEN AT TIME OF PLACEMENT.
4. FIELD PLACEMENT OF COMMUNICATIONS VAULT SHALL BE AS DIRECTED BY THE ENGINEER.

REVISIONS		ILLINOIS DEPARTMENT OF TRANSPORTATION F.A.I. 90/94 (DAN RYAN EXPRESSWAY) GARFIELD BLVD TO 31ST STREET (NB LOCAL LANES)
NAME	DATE	
		COMMUNICATIONS VAULT DETAILS (HANDHOLE TYPE C1)
SCALE: NTS		DRAWN BY: HAR
DATE: June 9, 2006		CHECKED BY: JPC

EI-105