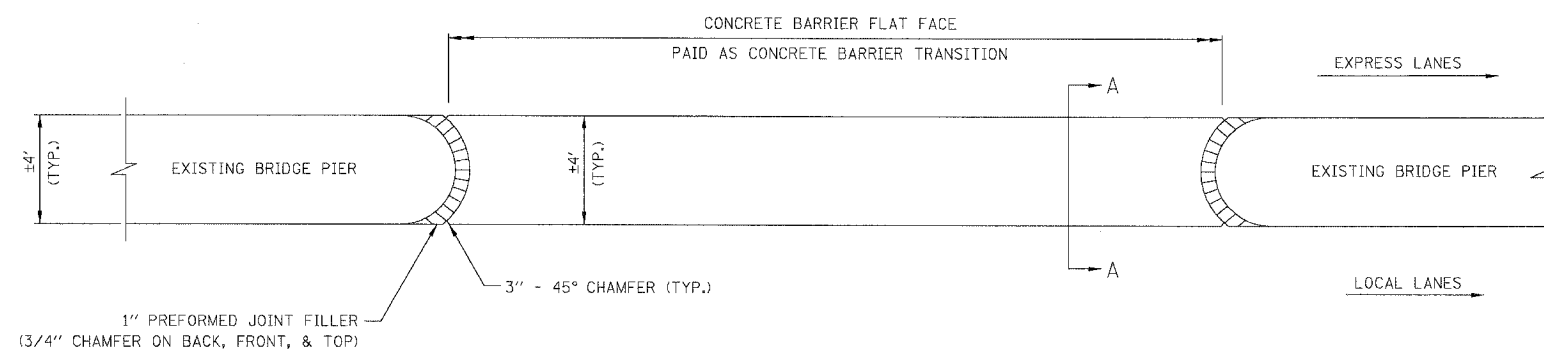
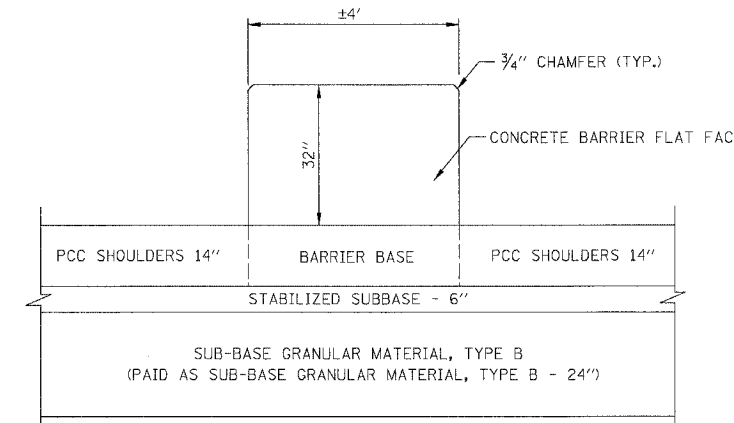


F.A.I.	SECTION	COUNTY	TOTAL SHEETS	SHEET NO.
94/90		COOK	565	334
STA.		TO STA.		
FED. ROAD DIST. NO.	ILLINOIS	FED. AID PROJECT		
62301	(2021-922 PT2 ETC 2324.6-1P) R-10			

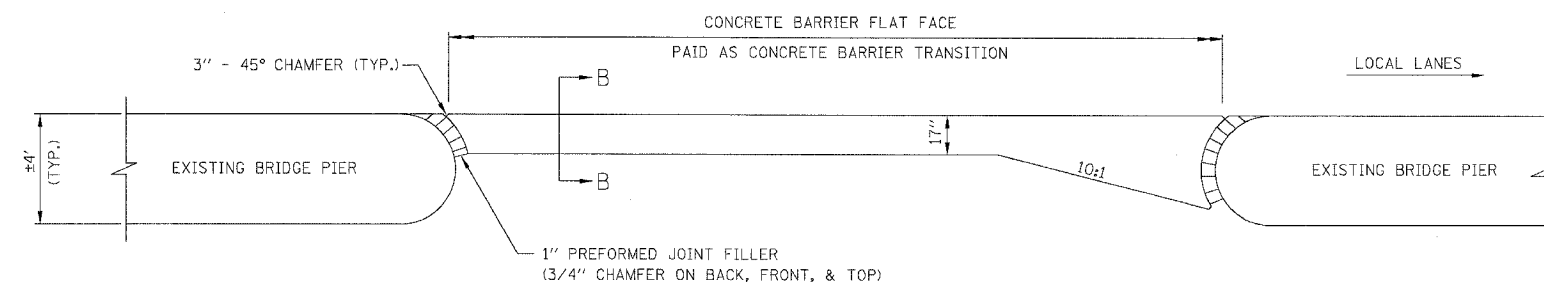


**CONCRETE BARRIER FLAT FACE**

STA. 4474+76.0 TO STA. 4475+39.2 (LT)  
 STA. 4575+38.0 TO STA. 4576+29.3 (LT)  
 STA. 4576+45.5 TO STA. 4577+26.5 (LT)

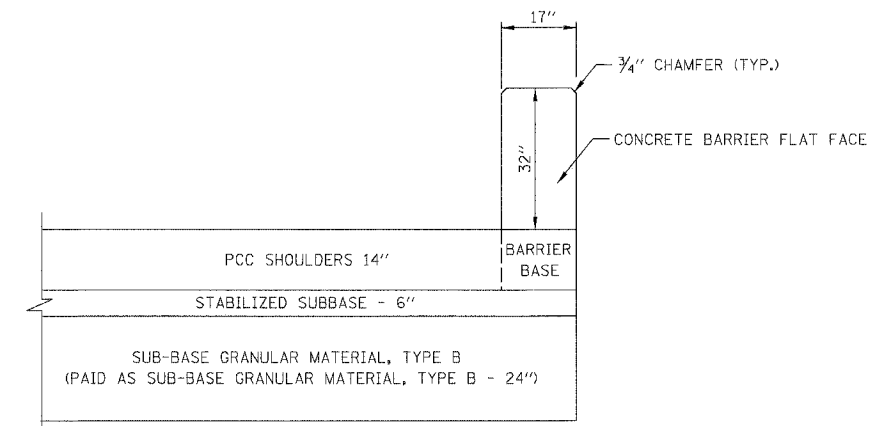


**SECTION A:A**



**CONCRETE BARRIER FLAT FACE**

STA. 4574+90.5 TO STA. 4576+29.3 (RT)



**SECTION B:B**

RDT-4

REVISIONS	
NAME	DATE

ILLINOIS DEPARTMENT OF TRANSPORTATION  
 F.A.I. 94/90 (DAN RYAN EXPRESSWAY)  
 GARFIELD BLVD TO 31ST STREET (NB LOCAL LANES)  
 ROADWAY DETAILS  
 CONCRETE BARRIER FLAT FACE  
 SCALE: NONE  
 DATE: 06/09/06  
 DRAWN BY: JDC  
 CHECKED BY: RS

BOWMAN, BARRETT & ASSOCIATES INC.  
 CONSULTING ENGINEERS  
 Chicago, Illinois  
 312.228.0100  
 www.bbandainc.com

6/7/2006 10:45:59 PM