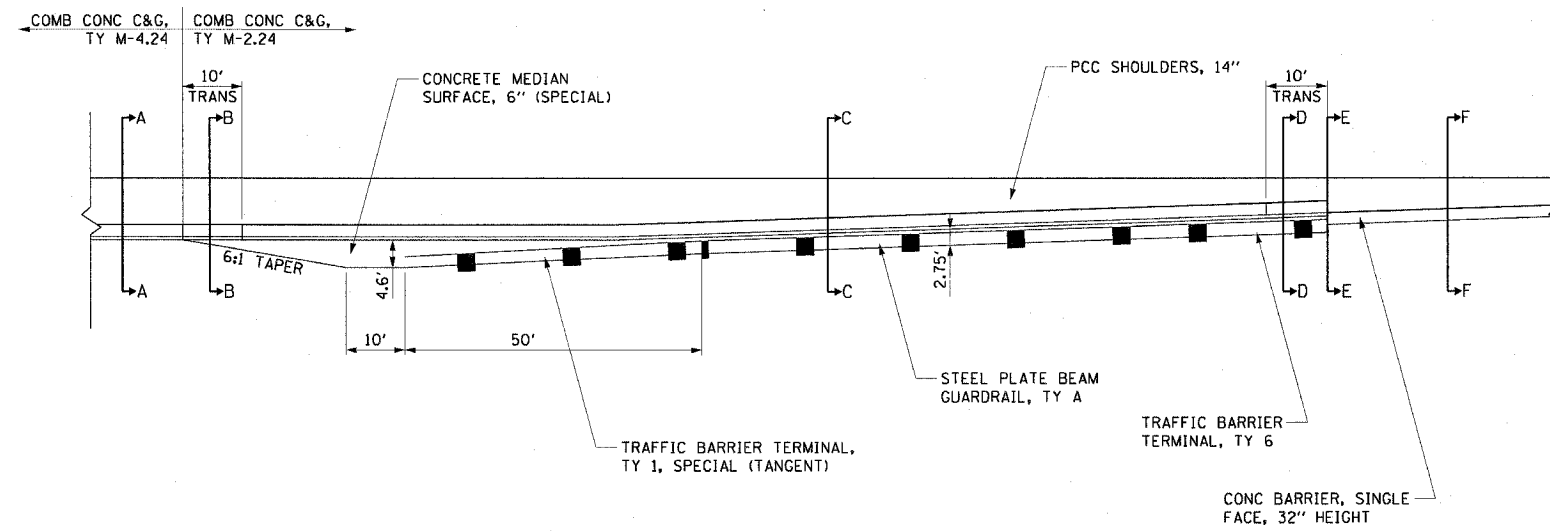
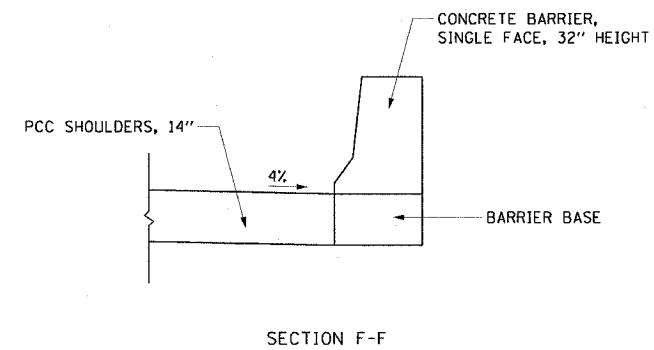
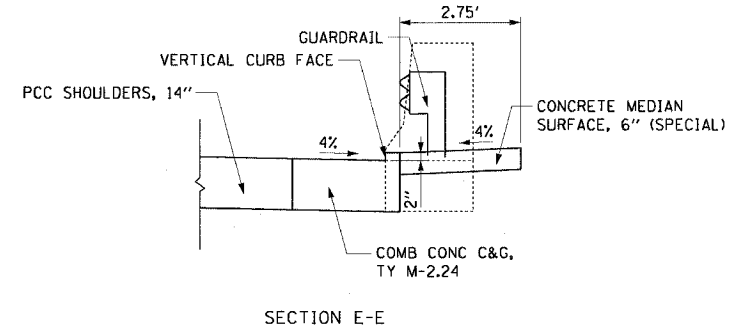
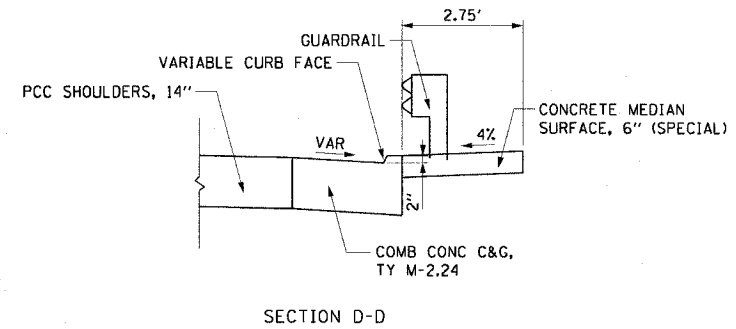
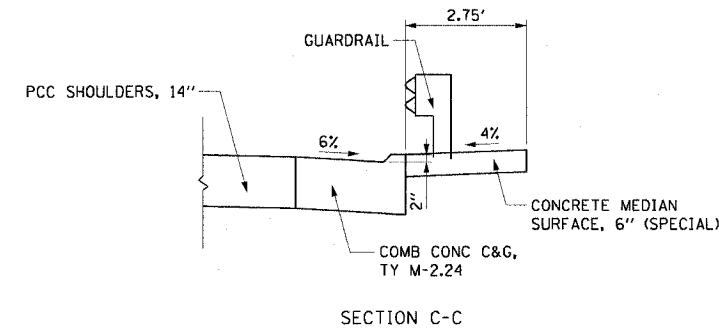
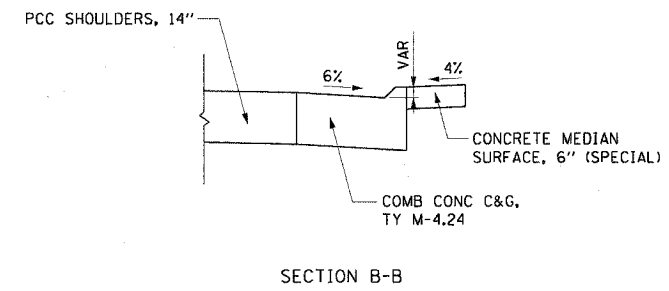
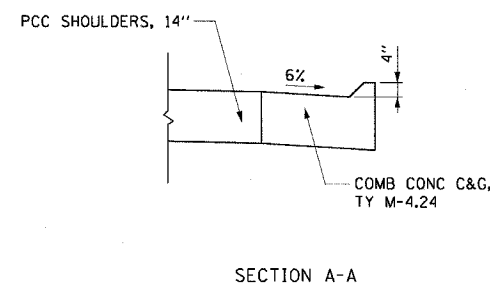


F.A.I. RTE.	SECTION	COUNTY	TOTAL SHEETS	SHEET NO.
90/94	*	COOK	565	339
STA.	TO STA.			
FED. ROAD DIST. NO. 1	ILLINOIS	FED. AID PROJECT		
62301	* (2021-922 PT2 ETC 2324.6-1P) R-10			

STABILIZATION AT TRAFFIC BARRIER TERMINAL, TYPE 1, SPECIAL (TANGENT)
N.T.S.



- NOTES:
1. THE TRANSITION SECTION IS PAID FOR AS COMB CONC C&G, TY M-2.24.
 2. DIMENSIONS OF THE CONCRETE MEDIAN SURFACE ARE TAKEN FROM THE BACK OF CURB.
 3. THE CONCRETE MEDIAN SURFACE, 6" (SPECIAL) AT GUARDRAIL LOCATIONS SHALL USE THE INTEGRAL RED CONCRETE WITHOUT THE BRICK PATTERN FINISH.
 4. SEE RDT-7 FOR COMB CONC C&G, TY M-2.24 DETAILS.



CTE | AECOM

REVISIONS	
NAME	DATE

RDT-9

ILLINOIS DEPARTMENT OF TRANSPORTATION
F.A.I. 90/94 (DAN RYAN EXPRESSWAY)
GARFIELD BLVD TO 31ST STREET (NB LOCAL LANES)

ROADWAY DETAILS
STABILIZATION AT TBT, TY 1, SPECIAL

SCALE: NONE DRAWN BY: NJH
DATE: June 9, 2006 CHECKED BY: RMC

6/7/2006 1:47:33 PM P:\90466\CIV\94\IB & IS\FACIL\IB\roadway details\mtd0092a.dwg